

Section 1 _____

General Description

The pneumatic time delay requires no power to operate.

The timing range is 1 – 60 seconds, and is easily adjusted by a thumbscrew. It is ideal for use to deactivate magnetic locks in an emergency and where building codes mandate non-electronic means of egress, or where power is not available for a conventional timer.

This **Camden CX-1085M Pneumatic Timer** is integrated into the CM-4085/4185/5085/7085/7185 and CM-8085/8185 Push Buttons.

For the CM-1200/2200/3200/3500, and CM-1000/1100/2000 series Key Switches, use the pneumatic timer for key switches (CX-1085).

Section 2 _____

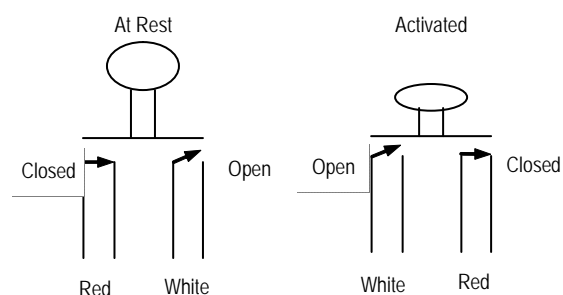
Installation

Mounting

1. The pneumatic timer will already be mounted to the switch, therefore follow the specific mounting instructions for your type of switch.
2. While the timer is not fragile, care must be given to allow sufficient clearance around the contacts, wiring, and particularly around the adjustment screw.
3. To adjust the timing, turn the screw clockwise to increase time, and counter-clockwise to reduce time. Test the timing several times before securing switch to wall or box.

Wiring

Momentary: The DPST contacts are rated 5 amps at 24 VDC. **White wires are the normally open circuit, and the Red pair are normally closed.**



It is possible to make a SPDT circuit as follows: Tie one Red & one White wire together. This will become the Common. The remaining White wire is the N.O. wire, and the remaining Red wire is the N.C. wire.

Section 4 _____

Specifications

Operating Force:	Maximum 8 oz.
Switch Rating:	5 Amps @ 24 VDC
Time Range:	1 – 60 sec. ± 15%
Temperature Range:	15° to 120° F (-9° to 49° C)
Repeat Accuracy:	± 10%
Timer Life:	1,000,000 operations

Questions? Call us toll-free at 1-877-226-3369

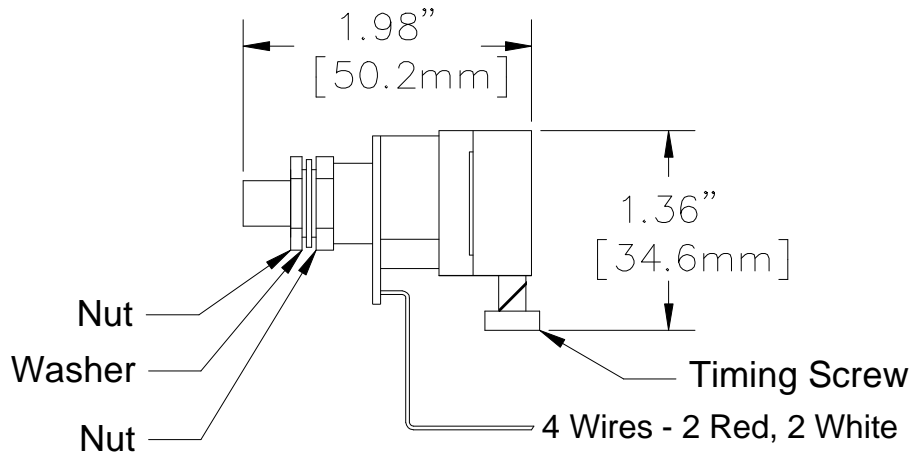


Figure 1 – Side View

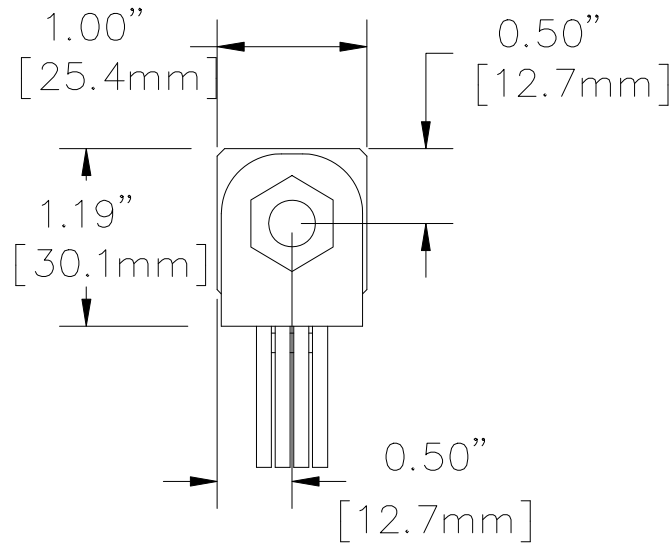


Figure 2 – Front View



Push Buttons



Key Pads



Strikes



Magnetic Locks



Key Switches



Relays & Timers



Access Control