

CX-ED1689L-4 and CX-ED1799L-8 Low Profile & Dual Monitor 'All in One' Fire Rated Electric Strikes

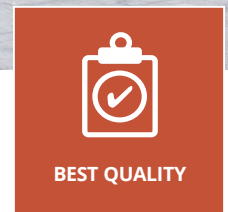
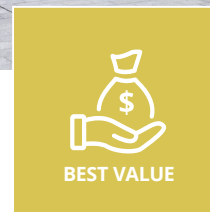
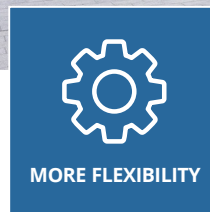


CX-ED1689L

CX-ED1799L

Camden CX-ED1689L and CX-ED1799L are Grade 1 fire rated 'all-in-one' electric strikes for use with all mortise and cylindrical locksets. Both models include latch monitoring, and are packaged with either 4 or 8 faceplates. 'Universal' performance, with field selectable voltage and fail safe/fail secure operation.

Option for ordering strike bodies and individual faceplates separately. Faceplates also available in black finish.



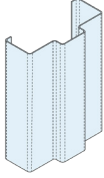
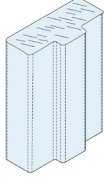
CX-ED1689L-4* low profile strikes are Grade 1 fire rated with (1) latch and keeper monitor, additional shim plates in strike cavity.

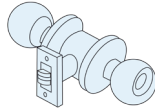
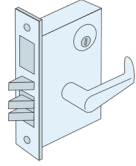
CX-ED1799L-8** Grade 1 fire rated strikes with dual lock monitors and keeper monitor, additional shim plates in strike cavity.

Features

- For mortise and cylindrical locksets
- A range of strike and faceplate packages for latchbolts and deadbolts
- Faceplates also available in black architectural finish (BHMA 622, US19)
- Selectable fail safe/fail secure
- Selectable 12/24V AC/DC
- 1 or 2 latch and deadbolt monitoring switches
- Magnetic door position switch
- Strike power monitor
- BHMA/ANSI A156.31, Grade 1 certified
- ANSI/SDI A250.13 Windstorm Resistant (CX-ED1799L-8)
- Easy fit connectors
- 5 year warranty



DOOR FRAME TYPES	
<p>Hollow Metal Frame</p> 	<p>Wood Frame</p> 

COMPATIBLE LOCKSETS	
<p>Cylindrical Lockset</p> 	<p>Mortise Locks</p> 

SPECIFICATIONS	
VOLTAGE:	12/24V AC/DC
CURRENT DRAW:	300mA @ 12V AC/DC 150mA @ 24V AC/DC
STATIC STRENGTH:	1,500 lbs
DYNAMIC STRENGTH:	70 ft-lbs
ENDURANCE:	1,500,000 Cycles (Factory Tested) 500,000 Cycles (UL Verified)
MODE:	Field Selectable Fail Safe/Fail Secure
OPERATION:	AC-Buzz, DC-Silent
DUTY:	Continuous
STRIKE MONITOR:	SPDT, 100mA @ 24V DC, Resistive
BHMA:	Grade 1 Certified, BHMA/ANSI A156.31
<p>CX-ED1689L-4</p> <p>LATCH MONITOR: 1 x SPST, 100mA @ 24V DC, Resistive</p> <p>DIMENSIONS (BODY): 4-7/8"H x 1-5/8"W x 1-3/8"D (124mm x 41mm x 36mm)</p>	<p>CX-ED1799L-8</p> <p>LATCH & DEADBOLT MONITOR: 2 x SPST, 100mA @ 24V DC, Resistive</p> <p>DIMENSIONS (BODY): 4-7/8"H x 1-5/8"W x 1-21/32"D (124mm x 41mm x 42mm)</p> <p>WINDSTORM RESISTANCE: ANSI/SDI A250.13 Also Certified to ASTM E330, ASTM E1886, ASTM E1996, TAS 210, TAS 202, and/or TAS 203</p>

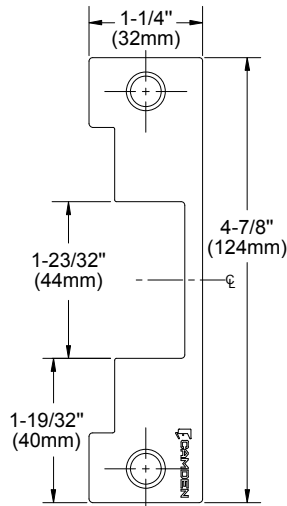
MODELS	
 <p>CX-ED1689L</p> <p>Low Profile Strike Body with (1) Latch Monitor Switch (Shown with Faceplate)</p>	 <p>CX-ED1799L</p> <p>Strike Body with (2) Monitor Switches (Shown with Faceplate)</p>

ORDERING INFORMATION	
LOW PROFILE	
CX-ED1689L-4	Strike w/ Latch Monitor, (4) Faceplates for Latchbolts. Includes: CX-EMP100, CX-EMP200, CX-EMP300, CX-EMP400
CX-ED1689L-4-BK	Strike w/ Latch Monitor, (4) Black Faceplates for Latchbolts. Includes: CX-EMP100-BK, CX-EMP200-BK, CX-EMP300-BK, CX-EMP400-BK
DUAL MONITOR	
CX-ED1799L-8	Strike w/ 2 Monitors, (8) Faceplate Package for Latchbolts & Deadbolts. Includes: CX-EMP100, CX-EMP200, CX-EMP300, CX-EMP400, CX-EMP110, CX-EMP210, CX-EMP310, CX-EMP410
CX-ED1799L-8-BK	Strike w/ 2 Monitors, (8) Black Faceplate Package for Latchbolts & Deadbolts. Includes: CX-EMP100-BK, CX-EMP200-BK, CX-EMP300-BK, CX-EMP400-BK, CX-EMP110-BK, CX-EMP210-BK, CX-EMP310-BK, CX-EMP410-BK



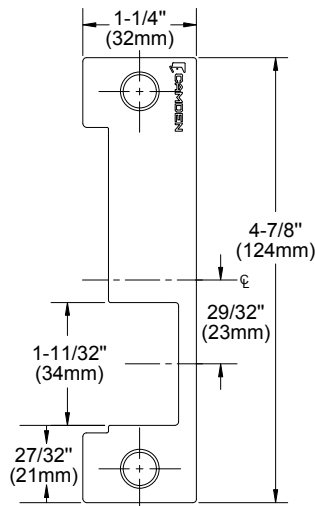
FACEPLATES

METAL DOOR FRAME FACEPLATES (ADD '-BK' TO FACEPLATE MODEL NUMBER FOR BLACK FACEPLATE OPTION, BHMA 622, US19)



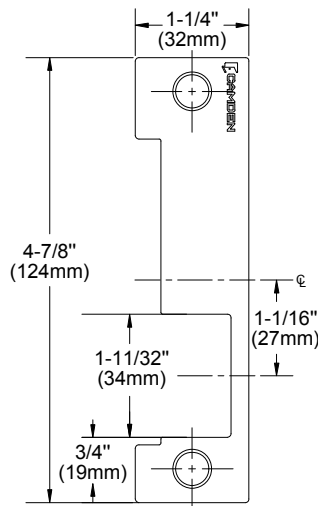
CX-EMP100

'ANSI' square-metal door frame, center line applications. Compatible with all cylindrical locksets



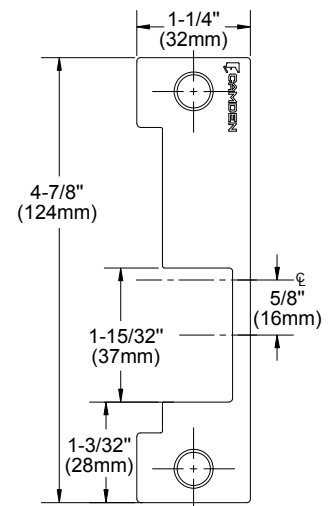
CX-EMP200

'ANSI' square-metal door frame, Deadlatch positioned above latchbolt. Compatible with Baldwin, PDQ, Marks locksets



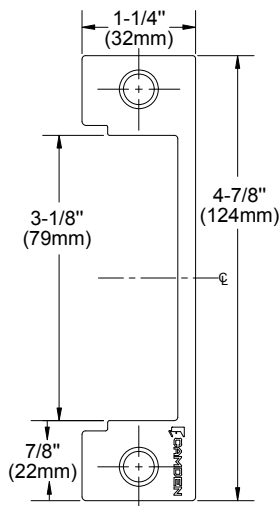
CX-EMP300

'ANSI' square-metal frame, deadlatch positioned above latch. Compatible with Sargent-8100/7700, Schlage, Yale 8700 locksets



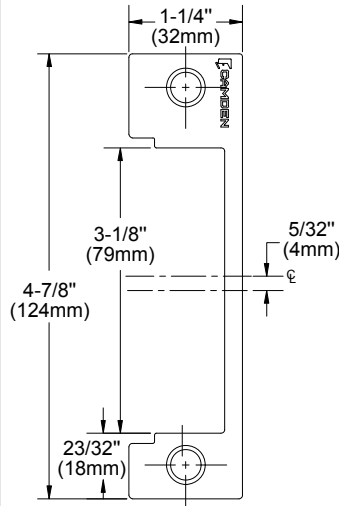
CX-EMP400

'ANSI' square-metal frame, deadlatch positioned below the latchbolt. Compatible with Corbin Russwin, Falcon, Sargent/7800 locksets



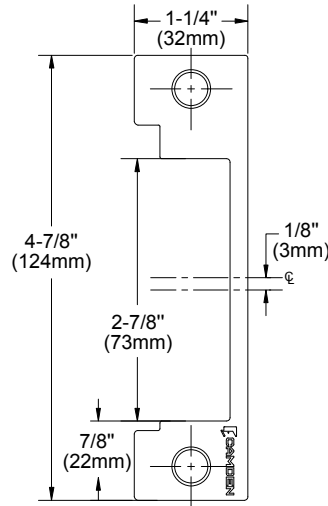
CX-EMP110

'ANSI' square-metal frame, deadbolt used for night latch function only. Compatible with Marks, Omnia, PDQ, Arrow, Accurate locksets



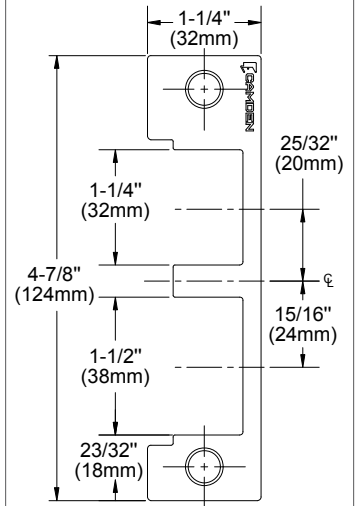
CX-EMP210

'ANSI' square-metal frame, deadlatch positioned below the latchbolt. Compatible with Corbin Russwin, Best - 45/47, Falcon, Sargent - 7800/8200/9200 locksets



CX-EMP310

'ANSI' square-metal frame, deadbolt used for night latch function only. Compatible with Sargent - 7700/8100, Yale 8700 locksets

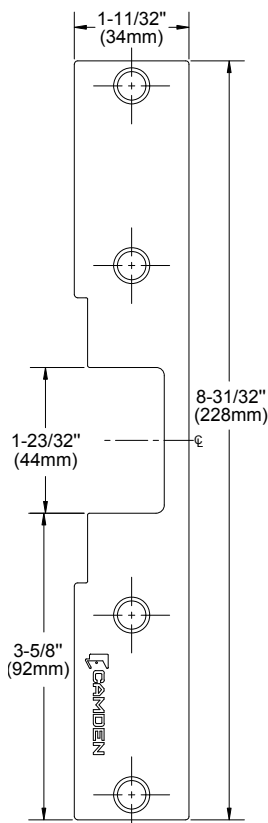


CX-EMP410

'ANSI' square-metal frame, used for 1" deadbolt and no latch. Compatible with Marks, Baldwin, Arrow, PDQ, Omnia locksets

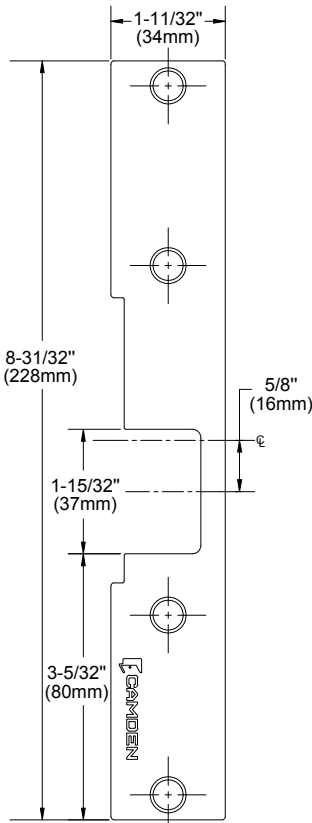


WOOD DOOR FRAME FACEPLATES



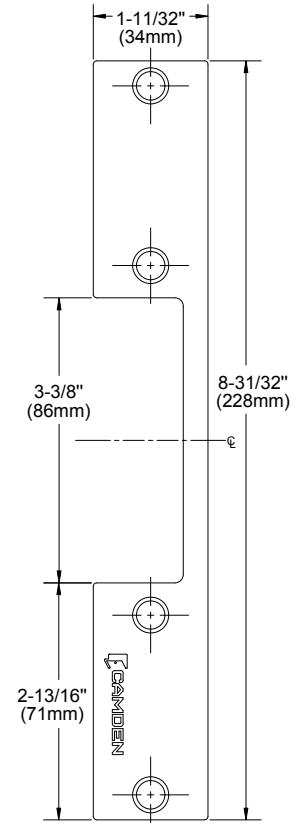
CX-EMP100W

Wood frames, deadbolt for night latch function only. Compatible with Marks, Omnia, PDQ, Arrow, Accurate locksets



CX-EMP400W

Wood frames, dead latch positioned above the latch bolt. Compatible with all cylindrical lockset

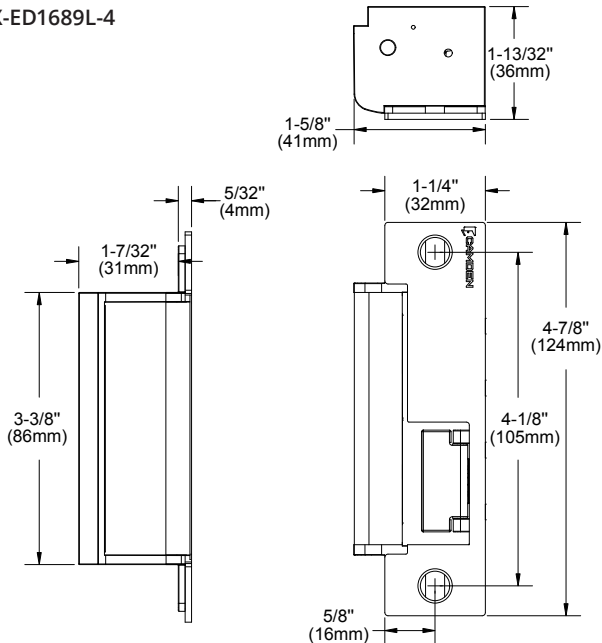


CX-EMP110W

Wood frames, center line applications. Compatible with all cylindrical locksets

STRIKE DIMENSIONS

CX-ED1689L-4



CX-ED1799L

