

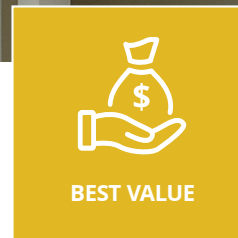
CX-92 Series 600 lbs. & 1200 lbs. Double Door Magnetic Locks



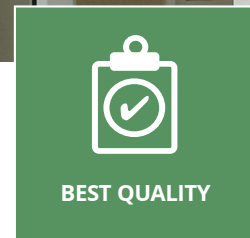
UL 1034 / UL 294
Standard for
Burglary-Resistant
Electric Locking
Mechanisms



ULC 5533-15
Standard for
Access and Egress



BEST VALUE



BEST QUALITY

CX-92 Series 600 lbs. & 1200 lbs. Double Door Magnetic Locks offer the best performance and value.

A 'TDS' option provides an adjustable timer, lock sensor, door status switch, relay and LED.

Camden's Magnetic Locks are easily installed. A metal mounting template is packaged with the unit.

Vandal resistant construction is built to last - lifetime warranty!

Features

- Weather and vandal resistant construction proven over thousands of installations
- Compatible with all access / egress systems
- Field selectable 12/24 VDC operation
- On board MOV power surge protection prevents damage to the magnetic lock
- A range of mounting brackets and spacers available



SPECIFICATIONS

VOLTAGE:	480mA @ 12 VDC , 240mA @ 24 VDC
CURRENT DRAW:	CX-92S-06: 480mA/12 VDC 240mA/24 VDC x 2 TDS: 510mA/12 VDC 285mA/24 VDC x 2 CX-92S-12: 420mA/12 VDC 210mA/24 VDC x 2 TDS: 500mA/12 VDC 265mA/24 VDC x 2
CONTACT RATING:	TDS models only: Bond Sensor: 2A @ 24 VDC Door Status Switch: 0.5A @ 28V AC/DC
HOLDING FORCE:	CX-91S-06 : 600 LBS. (272 KG.) CX-91S-12 : 1200 LBS. (544 KG.)
TEMP. RANGE:	32°F - 131°F (0°C to 55°C)

DIMENSIONS: Body:	CX-92S-06: 19-3/4"W x 1-5/8"H x 1-1/8"D (500mm x 42mm x 27mm) CX-92S-12: 21"W x 2-5/8"H x 1-9/16"D (532mm x 67mm x 40mm)
Armature Plate:	CX-92S-06: 2 x 7-1/4"W x 1-1/2"H x 15/32"D 2 x (185mm x 38mm x 12mm) CX-92S-12: 2 x 7-9/32"W x 3"H x 5/8"D 2 x (185mm x 61mm x 16.5mm)

ORDERING INFORMATION

CX-92S-06 600 lbs. Surface Mount Double Door - Basic

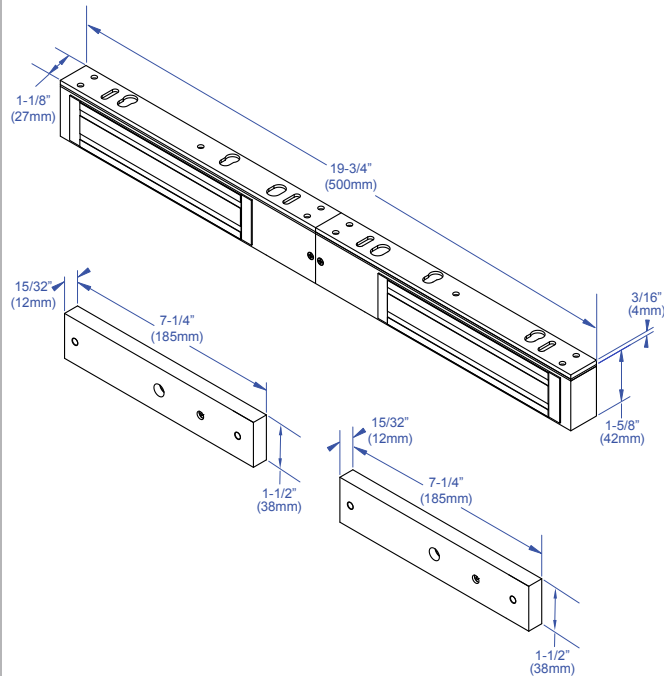
CX-92S-06TDS 600 lbs. Surface Mount Double Door - with adjustable timer, door status switch, lock sensor, relay and LED

CX-92S-12 1200 lbs. Surface Mount Double Door - Basic

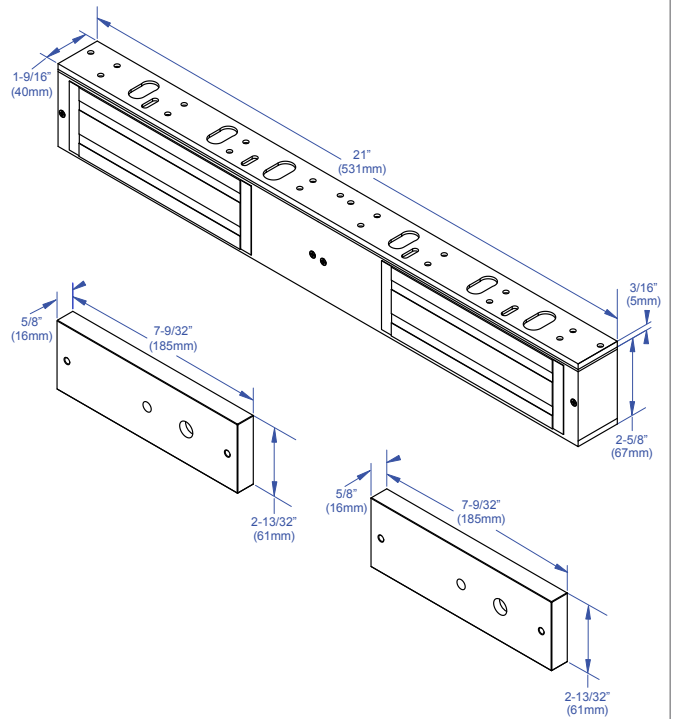
CX-92S-12TDS 1200 lbs. Surface Mount Double Door - with adjustable timer, door status switch, lock sensor, relay and LED

DIMENSIONS

CX-92S - 600 lbs.



CX-92S - 1200 lbs.



Opening New Doors to
Innovation, Quality and Support!

5502 Timberlea Blvd. Mississauga, ON Canada L4W 2T7 • Toll Free: 1 877 226-3369 (CAMDEN9)
Tel: (905) 366-3377 • Fax: (905) 366-3378 • E-mail: info@camdencontrols.com • www.camdencontrols.com

