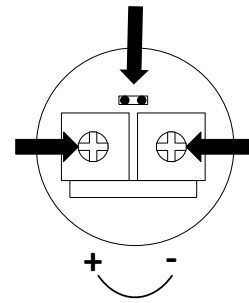


**CM-8436VR/4 & CM-8436VR/8B TOUCHLESS SENSOR SETTINGS**

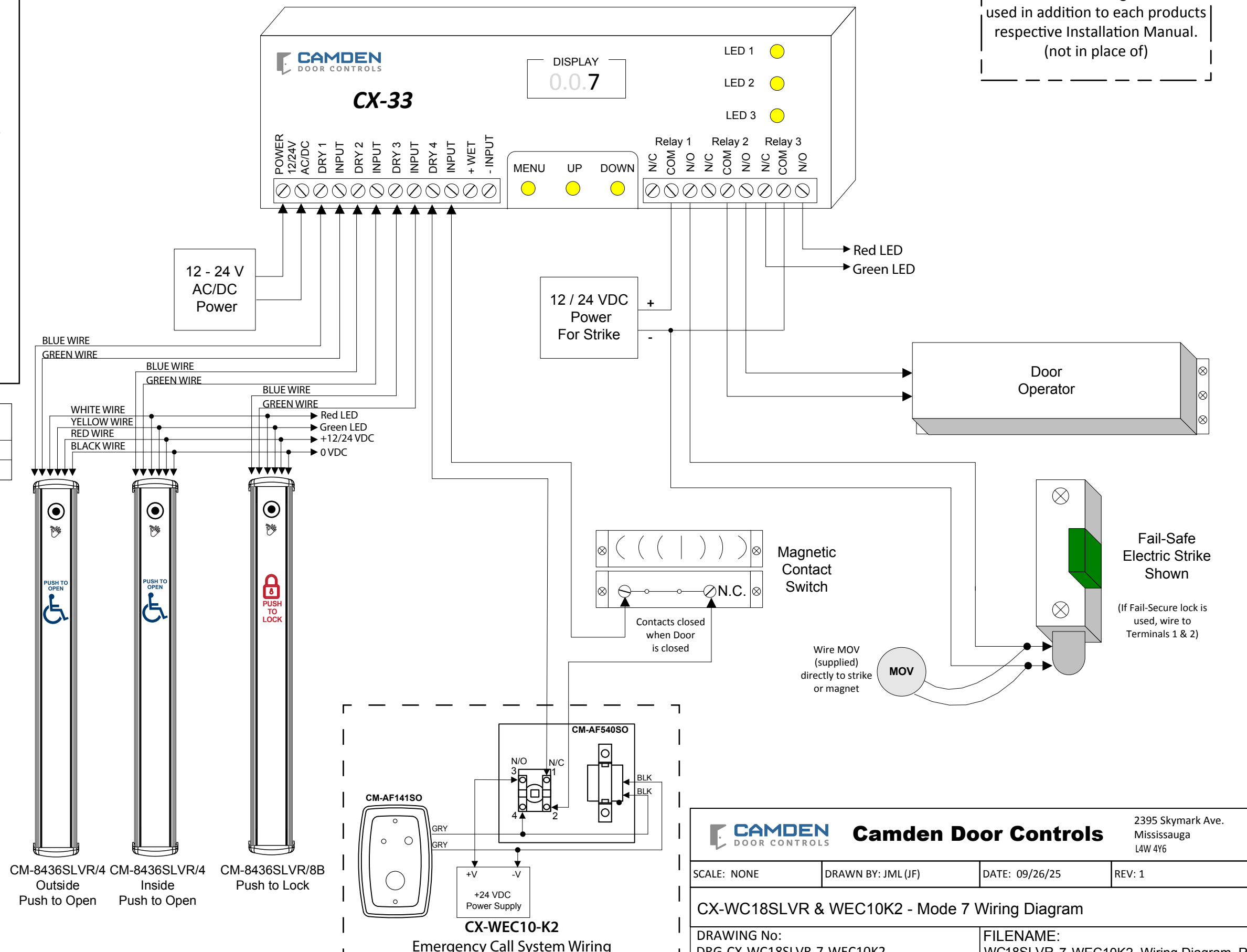
MODE PINS:  
 OPEN (Default position)= Internal mode where the LED colours will be controlled by the IR sensor.  
 SHORTED = External mode where the LED colours will be controlled by Yellow and White wires.



#	Color	Function
1	Red	12 to 24 VDC
2	Black	0 VDC (Ground)
3	Yellow	Green LED controlled by external mode.
4	White	Red/Blue LED, controlled by external mode.
5	Green	Relay: Normally Open
6	Blue	Relay: Common
7	Purple	Relay: Normally Closed

**ATTENTION:**  
 CONNECT GREEN (NORMALLY OPEN) AND BLUE (COMMON) TO THE BLACK WIRES FROM THE SWITCHES IN THE CM-8436VR.

Notes
1. CX-33 can be set to Mode 7 (Normally Unlocked) or Mode 8 (Normally Locked).
2. Mode 7 = Set Strike to Fail Safe.
3. Mode 8 = Set Strike to Fail Secure.



**NOTE:** This Drawing should be used in addition to each products respective Installation Manual. (not in place of)

		2395 Skymark Ave. Mississauga L4W 4Y6	
SCALE: NONE	DRAWN BY: JML (JF)	DATE: 09/26/25	REV: 1
<b>CX-WC18SLVR &amp; WEC10K2 - Mode 7 Wiring Diagram</b>			
DRAWING No: DRG-CX-WC18SLVR-7-WEC10K2		FILENAME: WC18SLVR-7-WEC10K2_Wiring Diagram_R1	