

CX-WC18VR-PS Series Restroom Kit

INSTALLATION INSTRUCTIONS



THIS PACKAGE INCLUDES:

- | | | |
|---------------------------------------|---------------------------------------|------------------------------|
| Column Switches: | 1 - ESP1B, ESP3B and ESP4B Faceplates | 1 - Power Supply |
| 3 - CM-7436VR V2 Column™ Switches | 4 - Wire Nuts | 1 - Hardware Kit |
| 12 - #14 x 1-1/2" Self Tapping Screws | 5 - M5 x 12mm Screws | 1 - Transformer |
| 12 - Anchors | 2- #10 x 1-1/4" Wood Screws | 1 - Surface Mounting Contact |
| 12 - Concrete Anchors | 2 - #10-32 x 1/2" Screws | 1 - "Occupied When Red" Sign |
| 12 - 1/4-20 x 1" S/S Pan HD PH Screws | 2 - Mounting Brackets | 1 - "Locked When Red" Sign |
| 6 - Wire Nuts | 2 - Spacers | 4 - Foam Tape |
| 3 - Jumpers | 1 - Varistor | |
| Electric Strike: | CX-33PS Logic Relay: | |
| 1 - CX-ED2079 Electric Strike | 1 - Metal Cabinet | |
| 1 - 4 PIN Power Connector | 1 - Pre-wired CX-33 Relay | |

1. GENERAL DESCRIPTION

The Camden CX-WC18VR-PS Restroom Control Kit now comes with the built-in CM-221 Hands-Free Switch, which uses active infrared sensor technology and is designed to be used in ADA-compliant automatic door control applications and access control. The CM-221 switch eliminates the spread of germs by avoiding physical contact and provides greater convenience when moving through the premises. For smooth operation, the CM-221 has an adjustable time delay of 0.5 to 20 seconds and an adjustable range of 2" to 8" (5cm to 20cm).

The CX-WC18VR-PS Restroom Control Kit is controlled by Camden's CX-33PS advanced relay logic controller (designed to support virtually any automatic door application).

The designation "PS" in the part number reflects that this kit now comes pre-wired in a metal enclosure with a power supply that is ready to accept all field wiring.

Operation at a Glance

The CX-WC18VR-PS has two modes: Mode 7 and Mode 8. Mode 7 refers to the "Normally Unlocked" condition, when the exterior PUSH to OPEN Column™ Switch is pressed or waved, it triggers the door operator to open the door. Mode 8 refers to a "Normally Locked" condition, where entry to the restroom is accomplished by a Keypad, Prox Reader, or other secure means. The exterior PUSH TO OPEN Column™ Switch is still utilized, but in this mode it is to be wired in series with the limited access device mentioned above.

Inside the restroom once the door closes, if the PUSH to LOCK Column™ Switch is pressed or waved, it keeps the door locked and disables the exterior PUSH to OPEN Column™ Switch. The LED light ring on the Column™ Switch turns red, indicating the restroom is occupied. The user can either press or wave PUSH to UNLOCK Column™ Switch as they exit the restroom. The LED light ring on the Column™ Switch turns green, indicating the restroom is now available to be used.

Note: While exiting, the user can also use the lever handle to open the door; in this case, the system will reset to its initial condition (mode 7 or mode 8), and the red light will turn green, allowing other users to use the restroom.

2. SPECIFICATIONS

Model	CM-7436VR V2
Voltage	12 to 24 VDC +/- 10%
Current	45 mA (peak)
Contact Rating	1 Amps @ 30 VDC
Contacts	Common/ N.O./ N.C.
Temperature Range	-13F to 122F (-25 °C to 50 °C)
Response Time	10ms
Construction	Heavy duty extruded aluminum
Finish	Anodized clear, black, blue, dark bronze
Mounting	4 x #14 wood screws with anchors or 1/4"-20 S/S machine screws
Actuator Width	3" (76mm)
Dimensions (overall)	37-1/2" H x 4-5/8" W x 1-3/4" D (955mm x 118mm x 44mm)

Model	CX-ED2079
Voltage	12/24V AC/DC
Current Draw	300mA@12V, 150mA@24V DC
Static Strength	1,000 Lbs.
Dynamic Strength	50 Ft-Lbs.
Endurance	700,000 Cycles (Factory Tested) 250,000 Cycles (UL Verified)
Mode	Field Selectable, Fail Safe/Fail Secure
Mech. Adjustment	Strike Body/Faceplate
Operation	AC-Buzz, DC-Silent
Duty	Continuous
Dimensions	3-3/8" H x 1-7/8" W x 1-7/32" D (86mm x 47mm x 31mm)

3. CX-33PS MOUNTING, WIRING & MODE SETTING

IMPORTANT: Do not apply power to the unit until you have fully read the instructions and have made the required adjustments.

The CX-WC18VR-PS Restroom Control Kit includes the CX-33PS Advanced Logic Relay. A complete wiring diagram is included in this manual.

Mounting

The CX-33PS should be mounted in a clean dry location out of

Model	WC-18VR-PS Relay Cabinet CX-33PS
Voltage	AC Input: 12V to 28V; DC Output: 12 or 24V
Current Supply	2 Amps
Battery Backup	Gel Type (not supplied)
LED Indicator	AC Input and DC Output
Temperature	Operating: 0° C to 49° C (32° F to 120° F) Storage: - 20° C to 70° C (- 4° F to 158° F)
Inputs	(4) Dry, (1) Wet 5V to 120V AC/DC, Non-Polarity Optically Isolated
Outputs	(3) Form 'C' (SPDT), 3 Amps @ 24V DC
Time Delay	Hold 1 Timer: 0 to 50 seconds Delay 1 Timer: 0 to 15 seconds Hold 2 Timer: 0 to 50 seconds Delay 2 Timer: 0 to 60 seconds Hold 3 Timer: 0 to 50 seconds Delay on Activate: 0 to 10 seconds
Dimensions	11-1/16" H x 7-7/8" W x 2-13/16" D (281mm x 200mm x 72mm)

direct contact with the elements. Ideal locations include inside a metal enclosure, operator header, or above a false ceiling. The Display & LEDs are visible through the clear plastic case, and cut-outs for programming buttons and terminal strips. Once wired and adjusted, the unit can be tucked into the operator header or secured using the supplied velcro or screws.

Wiring

Refer to the complete wiring diagrams on pages 9 to 12 of this

manual.

There are two terminal strips on the CX-33PS. The left strip is used for power to the CX-33, the PUSH TO OPEN and PUSH TO LOCK column switches, the door position switch, and the Wet trigger. The right strip is for the outputs to drive the strike (Relay 1), door operator (Relay 2), LED illumination (Relay3), and to provide VDC power for the door strike.

Once all field devices are wired to the CX-WC18VR-PS then AC power can be wired in.

IMPORTANT: Confirm the electrical panels breaker you are going to be using is currently off. Do not wire the primary terminals of the transformer until the secondary terminals are connected first.

Mode Selection

Mode selection depends on the user requirements;

- If the user wants the restroom unlocked during the idle state, use Mode 7.
- If the user wants the restroom locked during the idle state, use Mode 8.

Note: The default mode for the CX-WC18VR-PS is Mode 7 (normally unlocked).

There are three LED displays that will allow you to see what mode

you have selected when advancing through the modes. To change the mode of the CX-WC18VR-PS, simply press the MENU button once and use the UP button to advance to the desired mode.

Mode Editing

Camden builds in typical times for lock release and door operator activation, and is ready to use without changing any parameters. If you need to change the timing or delay for an output, it can be done by pressing the MENU button within the mode you selected. Once the option is selected, you can use the UP or DOWN buttons to select the timing needed. The first option (H & 1 flashing) will be how long relay 1 will be activated for (0-50 seconds). The second option (d & 1 flashing) will be how long to wait before activating relay 2 (0-15 seconds). The third option (H & 2 flashing) will be how long relay 2 will be activated for (0-50 seconds). The fourth option (d & 2 flashing) will be how long to wait before activating relay 3 (0-15 seconds). The fifth option (H & 3 flashing) will be how long relay 3 will be activated for (0-50 seconds). See the Table 3.1

Factory Reset (Defaulting the CX-33)

To return the CX-33 back to its factory default settings, you must remove the power, then hold down the MENU button while powering up the CX-33. Once started, you will see the firmware version listed, and number "1" will be displayed. Reconnect your power and press the MENU button once, then use the UP or DOWN button to advance to the desired mode. For proper functionality, fully test the operation of the CX-WC18VR-PS.

Figure 3.1 Adjusting the Settings in CX-33

Display (M)	Description (Mode you are in)	Parameters (1-15)
H, then 1	Relay 1 Hold Time	0.0 to 50 seconds
d, then 1	Relay 2 Delay Time	0.0 to 15 seconds
H, then 2	Relay 2 Hold Time	0.0 to 50 seconds
d, then 2	Relay 3 Delay Time	Depends on Mode
H, then 3	Relay 3 Hold Time	0.0 to 50 seconds
d	Sets the display ON or OFF during operating mode	ON or OFF
A	Input delay on Activate. If other than 0.0 is selected, the input must be held in for the time period chosen before the CX-33 will activate.	0.0 to 10 seconds
1	Set Dry Input 1 to activate on normally open or normally closed contact.	N/O OR N/C
2	Set Dry Input 2 to activate on normally open or normally closed contact.	N/O OR N/C
3	Set Dry Input 3 to activate on normally open or normally closed contact.	N/O OR N/C
4	Set Dry Input 4 to activate on normally open or normally closed contact.	N/O OR N/C
5	Set Wet Input 5 to activate when voltage applied or removed. N/O: voltage applied to activate; N/C: voltage removed to activate.	N/O OR N/C

4. CM-7436VR V2 COLUMN SWITCH INSTALLATION

Code Requirements: If installed according to these instructions the CM-7436VR V2 Column™ Switch will meet the requirements of the California Building Code (Section 1117B.6, Date: 2009), and Section 3.8.3.3.17(b) of the Ontario Building Code.

CM-7436VR V2 complies with the National Building Code of Canada reference to CSA Regulation 5.2.9.3 (c) ii.

The CM-7436VR V2 Hands-Free Column™ Switch is a VDC device only and will accept a range of VDC power from 12VDC to 24VDC (+/- 10%. Do not connect AC voltage to the CM-7436VR V2 at any time.

Installation Steps:

1. Unpack the pre-assembled unit from the box. To mount the switch, it is required to disassemble a few components. Firstly, remove two Phillips screw holding the top End Cap in place. Once both screws are removed, take out the cap. (Figure 4.1)
2. Carefully pull out the actuator and place it aside so as to protect it from any surface damage. The bottom of the Switch should be located between 3" to 8" (76mm to 203mm) off the finished floor as per site conditions or code requirements. See Figure 4.2 for mounting illustration.

(See Figure 4.2 and 4.3 for reference.)

3. Determine and mark the optimum height and mounting location from the finished floor to mount the Column™ Switch.
4. Center the touchless switch over the box for wire connection, while lining up the top edge with your mark (If installing through an in-wall electrical box), drill a Ø 1/4" (6.4mm) hole for wire connection (If installing without an in-wall electrical box).
5. Using a level tool, ensure the base unit is perfectly leveled and mark 4 mounting locations through the adjustable nylon inset screws onto the wall surface (if mounting on drywall, use a pencil, and if mounting on concrete wall, use a narrow sharp object for marking).
6. Drill the wall at the four marked locations and insert the appropriate wall or concrete anchors provided for the #14 screws.
7. If mounting the Column™ Switch on an aluminium post or framing section, drill and tap four holes for 1/4"-20 stainless steel machine screws (also provided).
8. Connect all the wires coming from the CX-33PS box to the CM-221 sensor. Refer to Section 4. CM-221 TO CX-33PS CONNECTIONS for wiring instructions.
9. Secure the assembly with the provided mounting screw, and insert actuation bar which was removed in step 1, and finally secure it with End Cap.

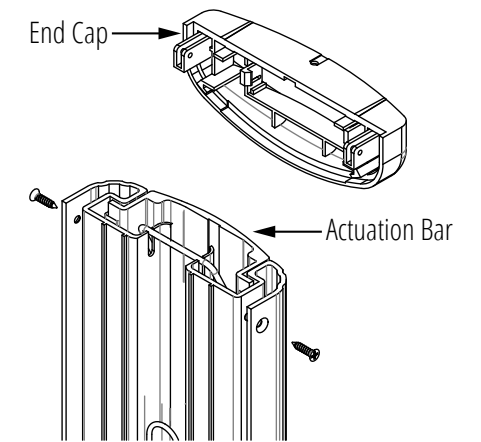


Figure 4.1 End Cap and Actuation Bar Removal

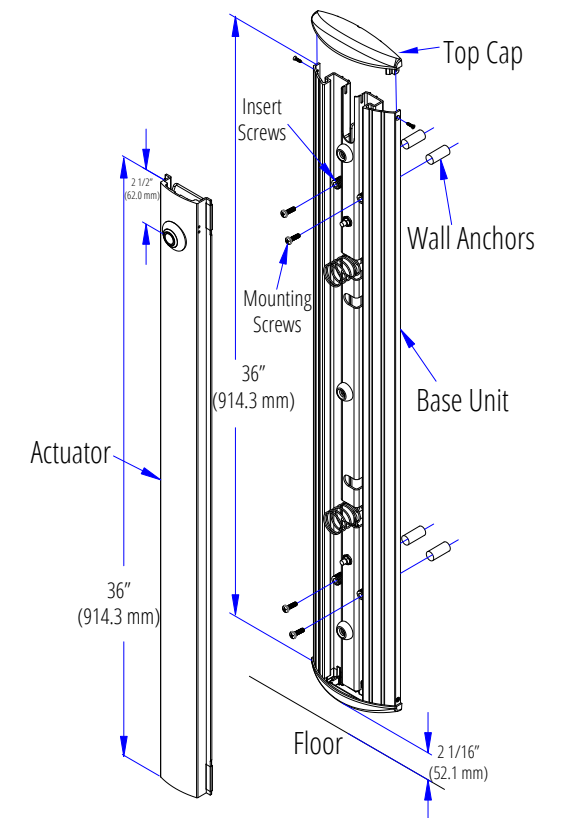


Figure 4.2 Mounting of Base Unit

IMPORTANT: When sliding the actuator bar down into the base assembly you must take care not to snag the springs or switches. You will need to depress the springs or switches slightly as you slowly slide bar past them.

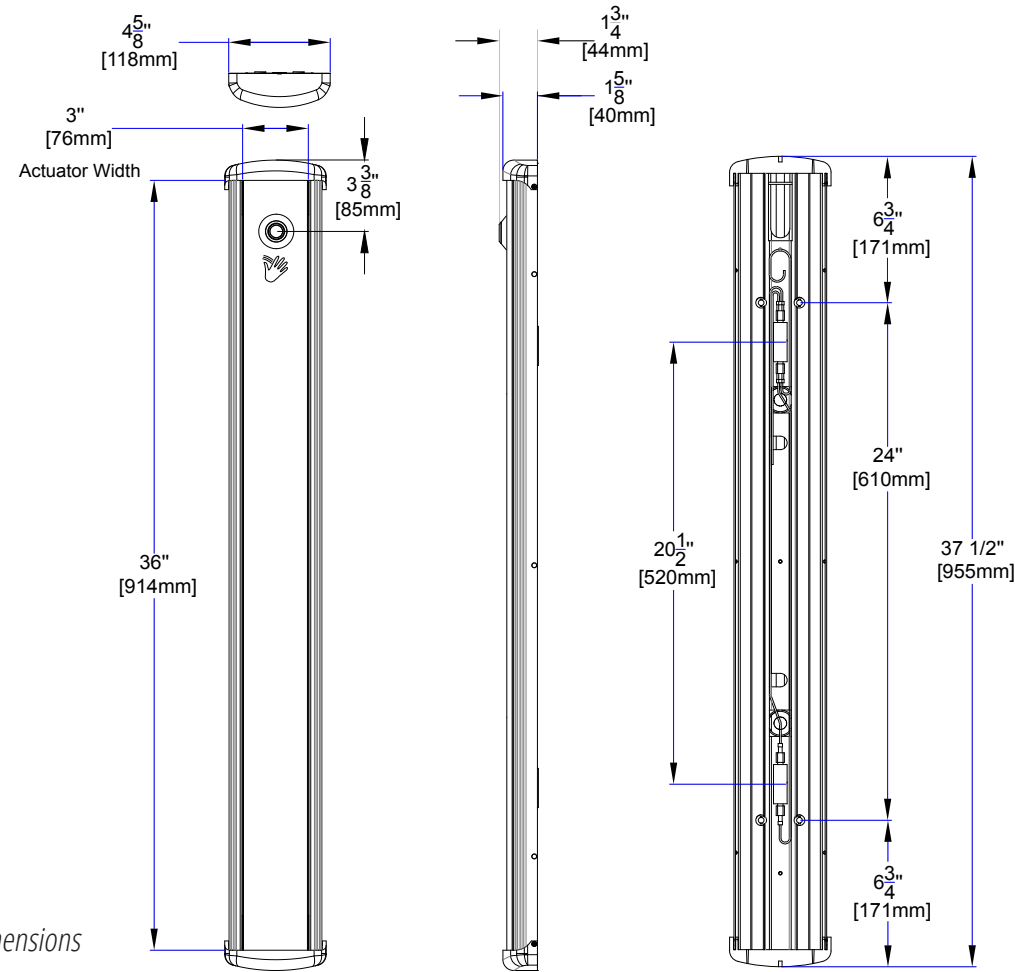


Figure 4.3 Dimensions

Note: While placing actuation bar back, make sure that hanger sits perfectly into the slot.

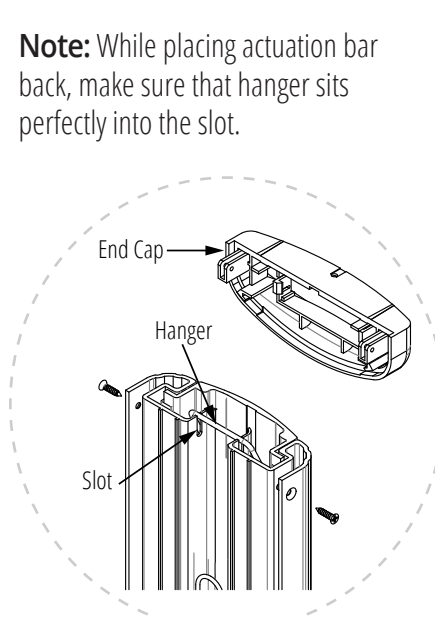


Figure 4.4 Wire Hanger/ End Cap

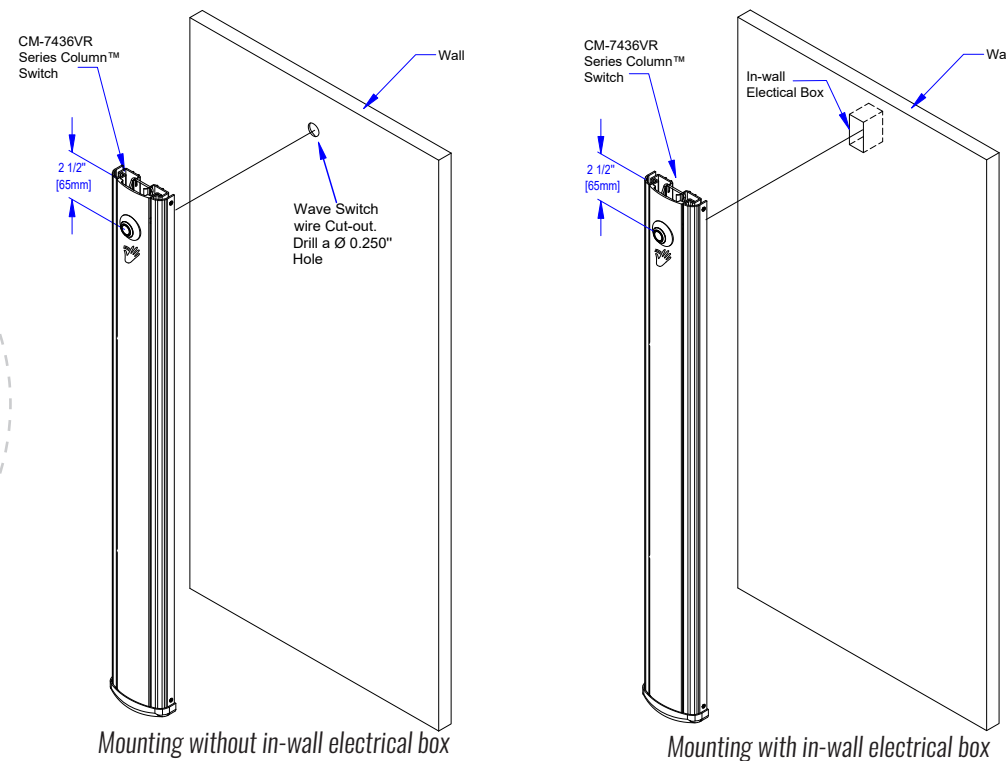


Figure 4.5 Wall Mounting Options

5. CONFIGURING THE CM-7436VR

Range of Detection and Output Duration (Figure 5.1)

Looking at the back of the CM-7436VR V2 with the Mode pins located at the top, you will see two adjustment potentiometers. The one on the left can be turned clockwise to set the range of detection (2" to 8" / 5cm to 20cm), and the one on the right will set the duration of the output (0.5 to 20 seconds).

If the output needs to be triggered and maintained in that state until triggered once more, then the Toggle feature can be used by turning the output duration adjustment potentiometer to the fully clockwise position.

Remote LED Switching

The CM-7436VR V2 can also have its LED states controlled remotely. This is done by installing the supplied jumper from the parts bag onto the two pins on the back of the unit. Once installed the green and red LED's can be triggered to change by bringing either one low (to ground). The yellow wire controls the green LED, whereas, the white wire controls the red LED. They can be individually turned on or off, or they can be wired to a SPDT contact to turn red on and green off, or vice versa.

Note: Refer to the complete wiring diagrams included in this Instructions Manual.

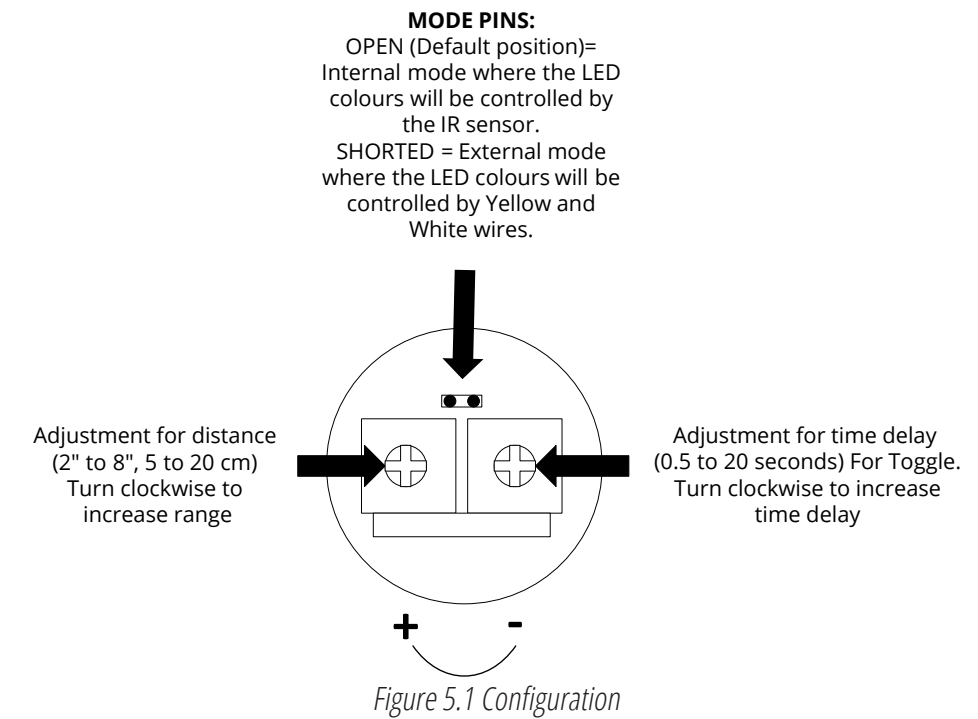


Figure 5.1 Configuration

6. CM-221 to CX-33PS CONNECTIONS

IMPORTANT:

Do not apply power to the unit until you have fully read the instructions and have made the required adjustments.

The CX-WC18VR-PS Restroom Control Kit comes with the CX-33PS Advanced Logic Relay, Power Supply and Cabinet, which has a set of two terminal strips. The terminal strips are pre-wired with clear labels, and a complete wiring diagram is displayed inside the door and included in the later sections of this manual to provide a wiring layout reference when connecting field devices to the kit.

The left-side terminal strip is used to power CX-33PS, the PUSH to

OPEN (both exterior and interior) Column™ Switches, PUSH to LOCK Column™ Switch, the door position switch, and the wet trigger. The right switch of the terminal is used to power the outputs to drive the strike (Relay 1), door operator (Relay 2), LED light (Relay 3), and provide VDC power for the door strike. A complete wiring diagram is included in this manual.

IMPORTANT: The supplied CX-TRX-5024 transformer will have its secondary terminals wired to the terminals on the top of the left terminal strip marked as "AC". Next, wire the primary terminals to the AC feed to be used. Confirm your connections and apply power by turning on the electrical panel breaker.

7. CX-ED2079 'UNIVERSAL' ELECTRIC STRIKE INSTALLATION

1. Firstly, verify that voltage required to operate Electric strike is compatible with supply voltage of the installation.
POWER: Red/Black, Blue/Green (12 VDC)
Red, Black/Blue, Green (24 VDC)
Red/Green (Sort Black, Blue)
2. Splice the strike wire with the supplied wire and make sure to attach provided varistor as described in connection section.
3. Make sure that the door jamb has an appropriate cutout to accommodate strike assembly. (Make sure to leave enough room for splicing between power supply and electric strike wiring.)
4. For a wooden door jamb, drill holes to install the strike and finally use supplied #12 x 1/2" machine screws to secure the strike.

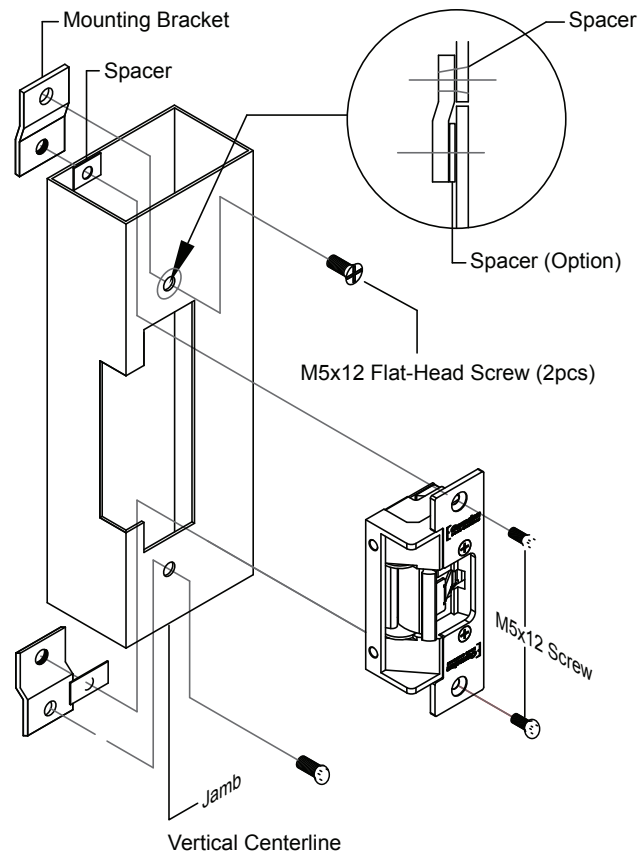


Figure 7.1 CX-ED2079 Strike Mounting

Note:

- The products are intended to be installed in accordance with the installation wiring diagram, mechanical assembly drawings provided with each product, the local authority having jurisdiction (AHJ) and the electric code, NFPA 70. When installed in fail secure mode, the local authority shall be consulted with the regards to the use of possible panic hardware to allow emergency exit from the secure area.
- The electric door strike shall be installed in such a way and in such a location so as to not impair the operation of an emergency exit device or panic hardware mounted on the door.

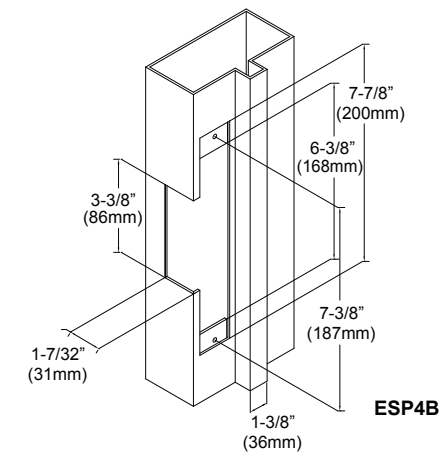
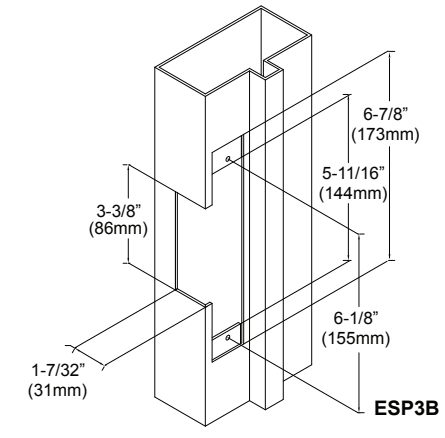
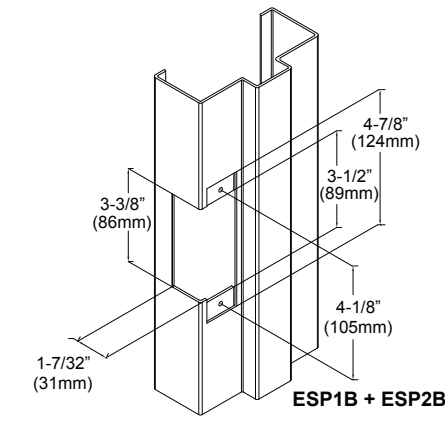


Figure 7.2 Mounting Options for CX-ED2079

8. CX-ED2079 CONNECTIONS

A Varistor is provided to protect strikes from large volume spike. Connect varistor between the two input wires. Connection of the varistor varies based on input voltage. Please refer following table for more details:

Power	Varistor Connection	
	+ve end	-ve end
12V	Red/Black	Blue/Green
24V	Red	Green

Note:

For UL 294 and UL 1034 compliance, the door strikes are to be powered via a UL 294 or UL 603 class 2 power limited output from a control panel and/or power supply. In addition, when powered by AC or DC, the units must have a UL-regulated UL 294 or UL 603 power limited class 2 output rated at 12 or 24 volts, as well as an AC on indicator.

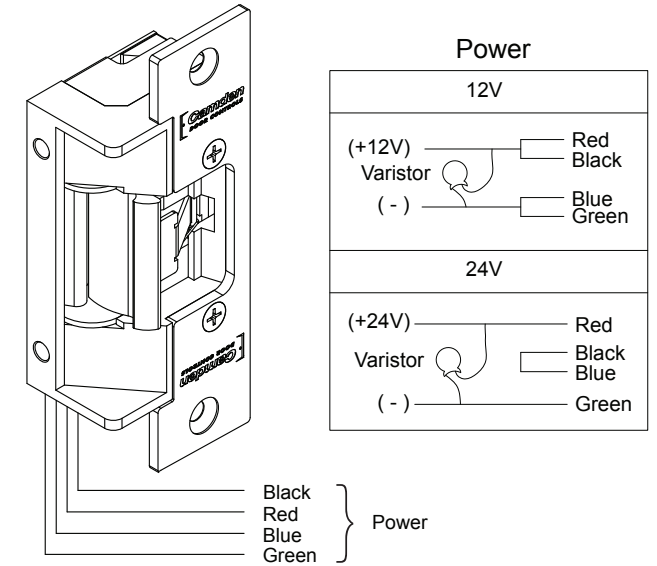


Figure 8.1 Connections for CX-ED2079

9. CX-ED2079 OPERATIONS

How to change from fail-safe to fail-secure and vice versa:

1. Loosen the screw as per the product diagram below.
2. Rotate the set plate 180° and slide the plate until it is properly seated.
3. Tighten the screw.

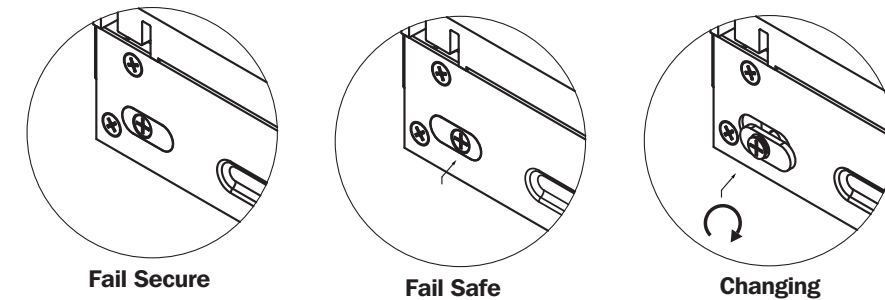


Figure 9.1 Fail Safe and Fail Secure Mechanism for CX-ED2079

ORDERING INFORMATION FOR PART REPLACEMENT

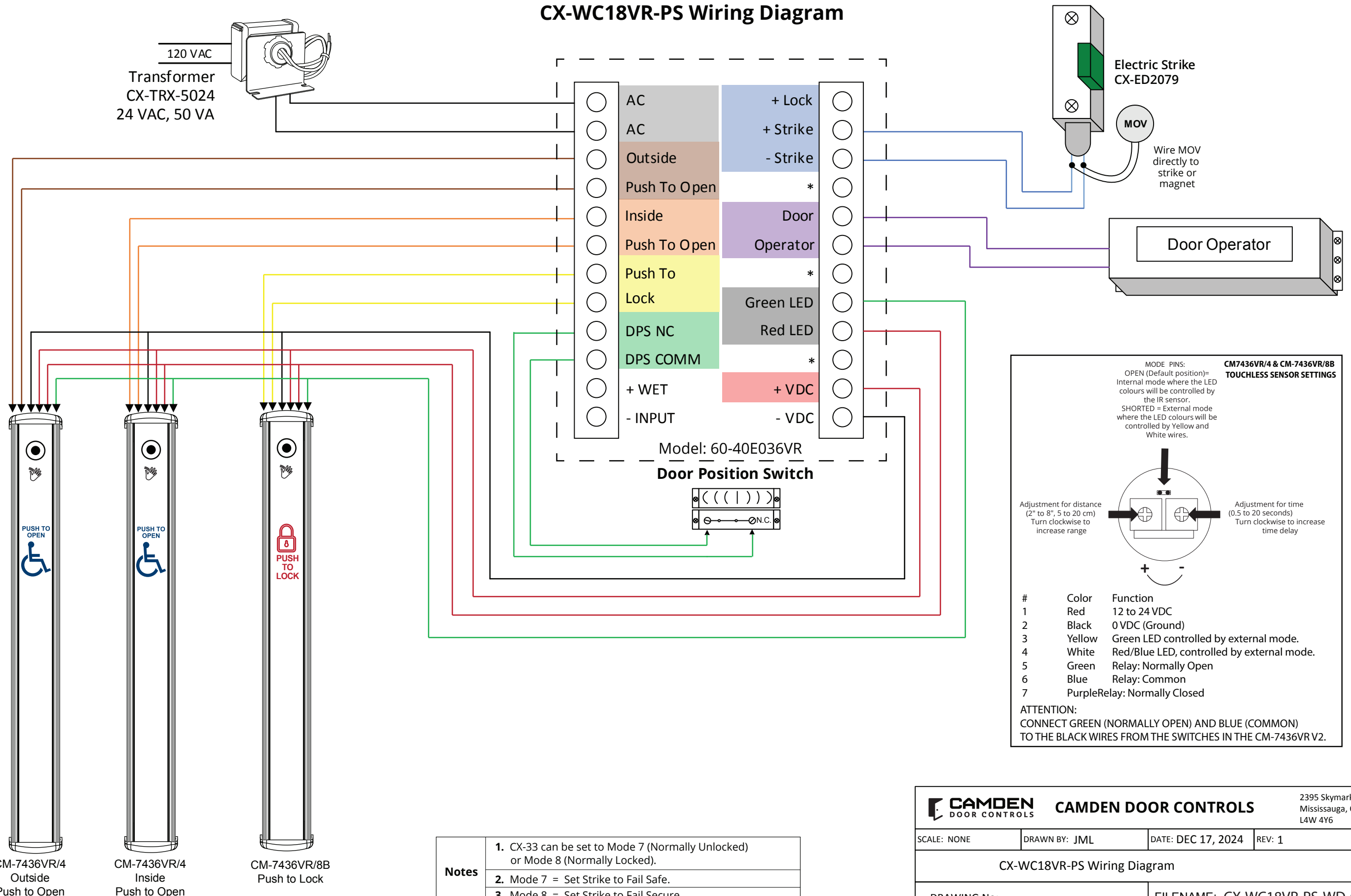
PART NUMBER	DESCRIPTION
60-31A083	Touchless Sensor Switch With External Led Control
60-40E036VR-1	WC18VR-PS Multifunction Relays In Pre-Wired Metal Cabinet
CX-MDA	Magnetic Door Contact
CX-ED2079	Grade 2 Universal Electric Strike
CM-7436VR/4	36" Column "Push To Open" Switch
CM-7436VR/8B	36" Column "Push To Lock" Switch

Notes :

- 1.
- 2.
- 3.
- 4.
- 5.
- 6.
- 7.
- 8.
- 9.
- 10.
- 11.
- 12.
- 13.
- 14.
- 15.
- 16.
- 17.
- 18.
- 19.
- 20.
- 21.
- 22.
- 23.
- 24.
- 25.
- 26.

Questions? Call us toll-free at 1-877-226-3369 or technical support 905-366-3377 (ext. 505)

CX-WC18VR-PS Wiring Diagram



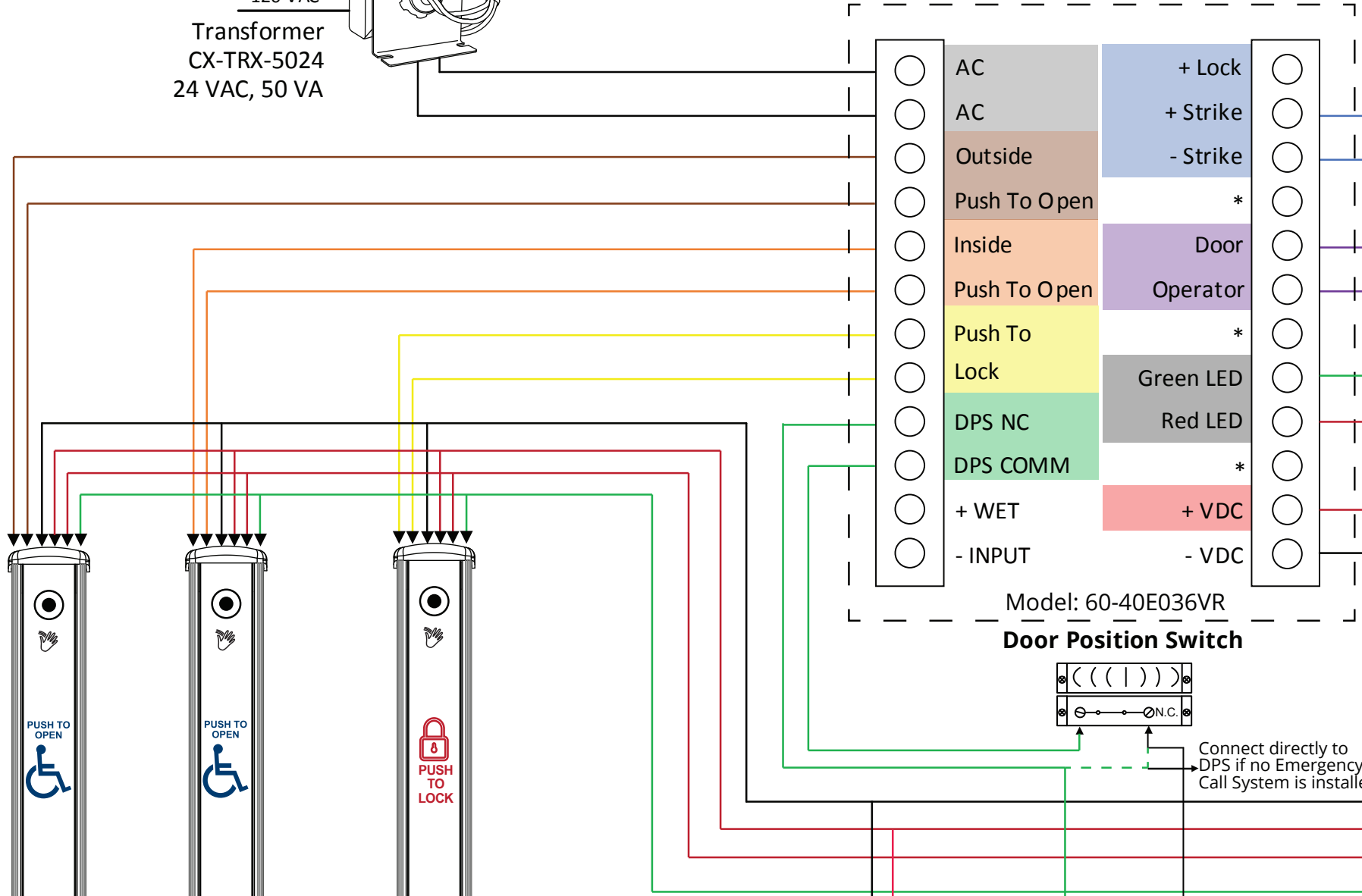
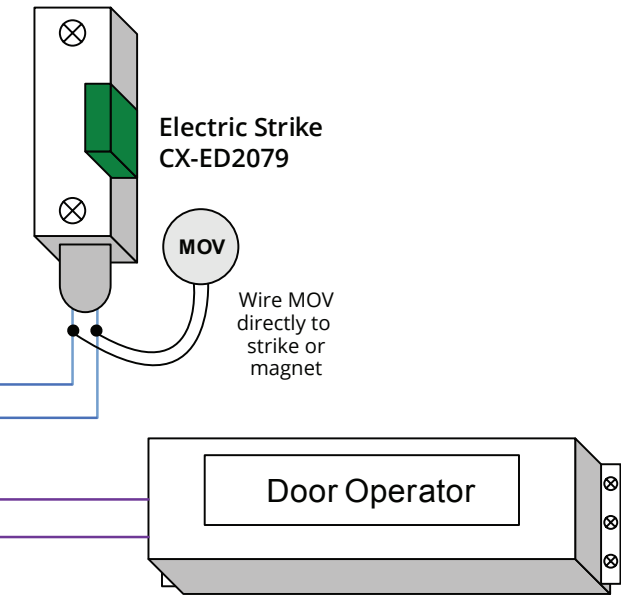
- Notes**
1. CX-33 can be set to Mode 7 (Normally Unlocked) or Mode 8 (Normally Locked).
 2. Mode 7 = Set Strike to Fail Safe.
 3. Mode 8 = Set Strike to Fail Secure.

CAMDEN DOOR CONTROLS CAMDEN DOOR CONTROLS 2395 Skymark Ave, Mississauga, ON L4W 4Y6

SCALE: NONE	DRAWN BY: JML	DATE: DEC 17, 2024	REV: 1
CX-WC18VR-PS Wiring Diagram			
DRAWING No:		FILENAME: CX-WC18VR-PS-WD.AI	

CX-WC18VR-PS Wiring Diagram with CX-WEC10K2 Integration

120 VAC
Transformer
CX-TRX-5024
24 VAC, 50 VA



CM7436VR/4 & CM-7436VR/8B TOUCHLESS SENSOR SETTINGS

MODE PINS:
OPEN (Default position)= Internal mode where the LED colours will be controlled by the IR sensor.
SHORTED = External mode where the LED colours will be controlled by Yellow and White wires.

Adjustment for distance (2" to 8", 5 to 20 cm)
Turn clockwise to increase range

Adjustment for time (0.5 to 20 seconds)
Turn clockwise to increase time delay

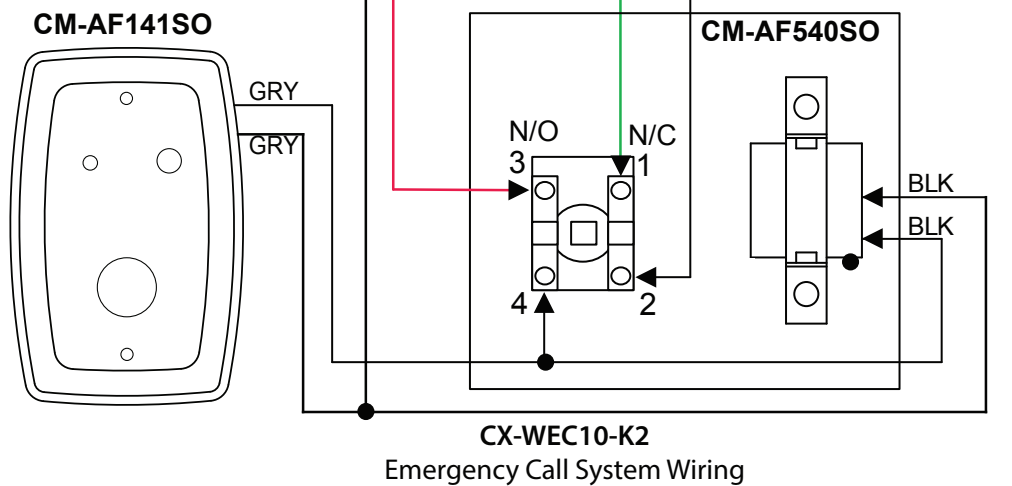
#	Color	Function
1	Red	12 to 24 VDC
2	Black	0 VDC (Ground)
3	Yellow	Green LED controlled by external mode.
4	White	Red/Blue LED, controlled by external mode.
5	Green	Relay: Normally Open
6	Blue	Relay: Common
7	Purple	Relay: Normally Closed

ATTENTION:
CONNECT GREEN (NORMALLY OPEN) AND BLUE (COMMON) TO THE BLACK WIRES FROM THE SWITCHES IN THE CM-7436VR V2.

CM-7436VR/4
Outside
Push to Open

CM-7436VR/4
Inside
Push to Open

CM-7436VR/8B
Push to Lock



- Notes**
1. CX-33 can be set to Mode 7 (Normally Unlocked) or Mode 8 (Normally Locked).
 2. Mode 7 = Set Strike to Fail Safe.
 3. Mode 8 = Set Strike to Fail Secure.

CAMDEN DOOR CONTROLS

2395 Skymark Ave,
Mississauga, ON
L4W 4Y6

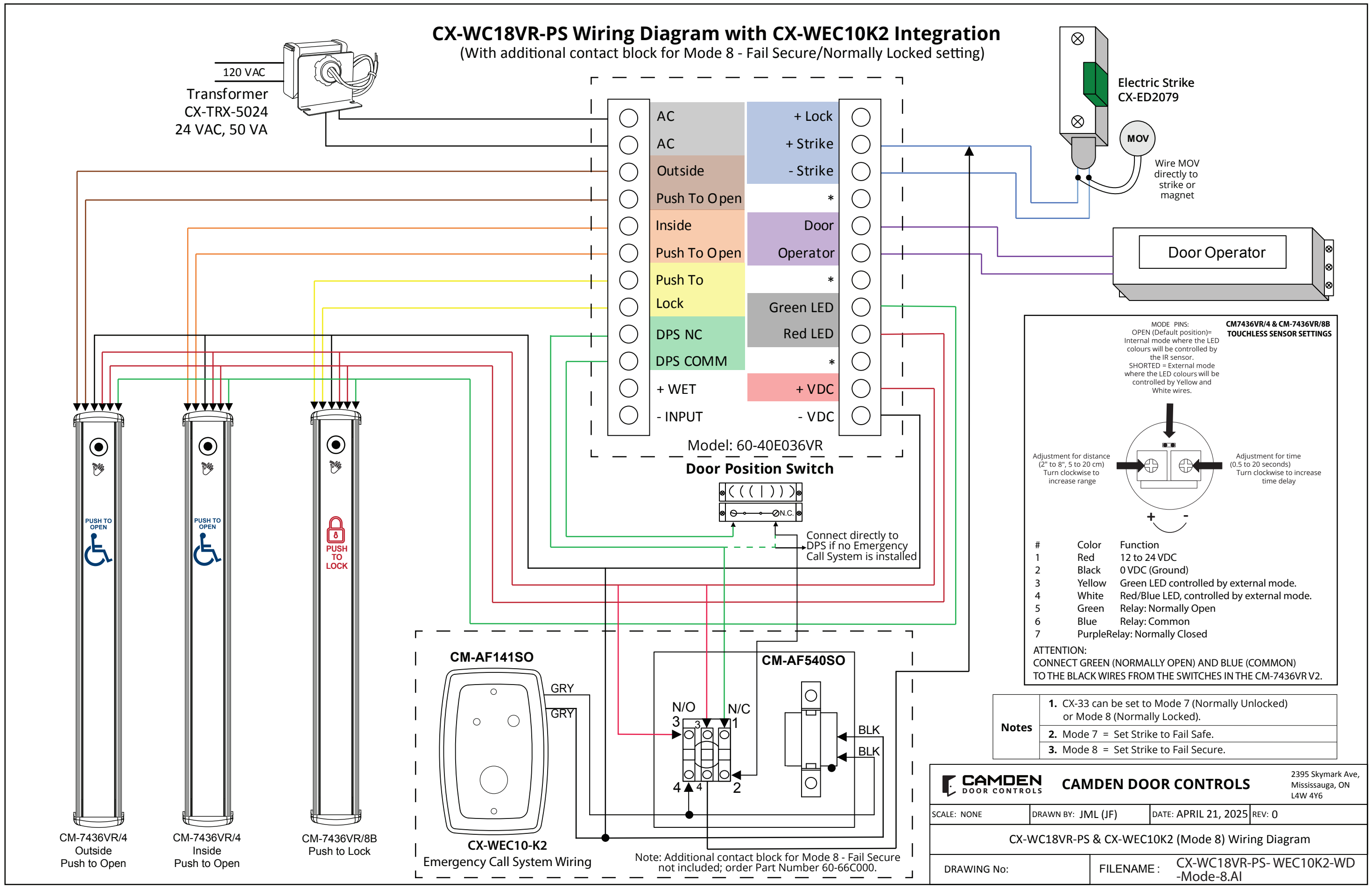
SCALE: NONE | DRAWN BY: JML | DATE: DEC 17, 2024 | REV: 1

CX-WC18VR-PS & CX-WEC10K2 Wiring Diagram

DRAWING No: | FILENAME CX-WC18VR-PS- WEC10K2-WD.AI

CX-WC18VR-PS Wiring Diagram with CX-WEC10K2 Integration

(With additional contact block for Mode 8 - Fail Secure/Normally Locked setting)



MODE PINS:
 OPEN (Default position)= Internal mode where the LED colours will be controlled by the IR sensor.
 SHORTED = External mode where the LED colours will be controlled by Yellow and White wires.

CM7436VR/4 & CM-7436VR/8B TOUCHLESS SENSOR SETTINGS

Adjustment for distance (2" to 8", 5 to 20 cm)
Turn clockwise to increase range

Adjustment for time (0.5 to 20 seconds)
Turn clockwise to increase time delay

#	Color	Function
1	Red	12 to 24 VDC
2	Black	0 VDC (Ground)
3	Yellow	Green LED controlled by external mode.
4	White	Red/Blue LED, controlled by external mode.
5	Green	Relay: Normally Open
6	Blue	Relay: Common
7	Purple	Relay: Normally Closed

ATTENTION:
 CONNECT GREEN (NORMALLY OPEN) AND BLUE (COMMON) TO THE BLACK WIRES FROM THE SWITCHES IN THE CM-7436VR V2.

- Notes**
1. CX-33 can be set to Mode 7 (Normally Unlocked) or Mode 8 (Normally Locked).
 2. Mode 7 = Set Strike to Fail Safe.
 3. Mode 8 = Set Strike to Fail Secure.

CAMDEN DOOR CONTROLS 2395 Skymark Ave, Mississauga, ON L4W 4Y6

SCALE: NONE DRAWN BY: JML (JF) DATE: APRIL 21, 2025 REV: 0

CX-WC18VR-PS & CX-WEC10K2 (Mode 8) Wiring Diagram

DRAWING No: FILENAME: CX-WC18VR-PS- WEC10K2-WD-Mode-8.AI

Spec Ref # : CX-WC18VRPS & CX-WEC10K2

CX-WC18VR-PS EQUIPMENT PACKAGE:

- 1 CX-33PS (60-40E033) - POWER SUPPLY CABINET WITH CX-TRX-4024 - 40VA, 24 VAC TRANSFORMER
- 2 CM-7436VR/4 - 36" ALUMINUM COLUMN SWITCH WITH 'WHEELCHAIR' SYMBOL AND 'PUSH TO OPEN' GRAPHICS MOUNTING WITH VALUEWAVE™ HAND FREE SWITCH AND SIGN
- 3 CM-7436VR/8B - 36" ALUMINUM COLUMN SWITCH WITH 'LOCK' SYMBOL AND 'PUSH TO LOCK' GRAPHICS MOUNTING WITH VALUEWAVE™ HAND FREE SWITCH AND SIGN
- 4 CX-MDA - MAGNETIC DOOR CONTACT
- 5 CX-ED2079 - GRADE 2 UNIVERSAL ELECTRIC STRIKE

CX-WEC10K2 EQUIPMENT PACKAGE:

- 6 CM-AF540SO - 'PRESS FOR EMERGENCY ASSISTANCE' SWITCH & 'ASSISTANCE REQUESTED' LED ANNUNCIATOR WITH SOUNDER
- 7 CM-AF141SO - 'ASSISTANCE REQUIRED' SINGLE GANG LED DOME LIGHT WITH SOUNDER
- 8 CM-SE21A - EMERGENCY ASSISTANCE SIGN

ADDITIONAL PARTS REQUIRED BUT NOT INCLUDED WITH THE CX-WC18VR-PS & CX-WEC10K2:

- 9 AUTOMATIC DOOR OPERATOR - SUPPLIED BY OTHERS

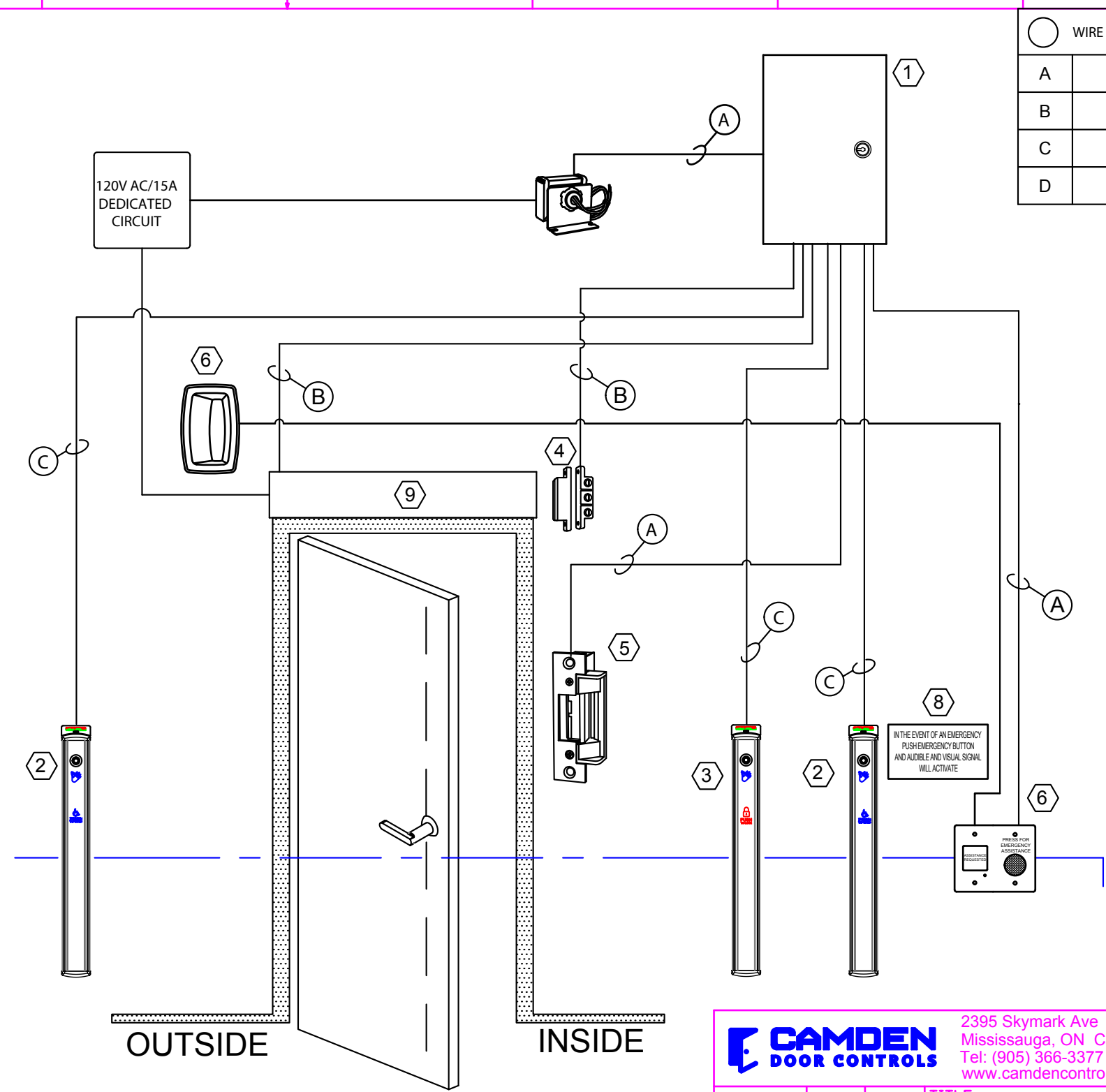
SYSTEM OPERATION

CX-WC18VR-PS OPERATION:

- A. THE DOOR IS NORMALLY CLOSED AND UNLOCKED.
- B. OPERATING THE EXTERIOR ACTIVE SWITCH OPENS THE DOOR.
- C. ONCE THE DOOR IS CLOSED, PRESSING THE INTERIOR 'PUSH TO LOCK' SWITCH LOCKS THE DOOR, REMOVES THE EXTERIOR SWITCH FROM THE CIRCUIT AND CHANGES THE LED FROM GREEN TO RED.
- D. PRESSING THE INTERIOR 'WHEELCHAIR' SYMBOL AND 'PUSH TO OPEN' COLUMN SWITCH UNLOCKS AND OPENS THE DOOR, RESETTNG THE SYSTEM.
- E. IF THE DOOR IS OPENED MANUALLY TO EXIT THE RESTROOM, THE OVERHEAD MAGNETIC CONTACT SWITCH RESETS THE SYSTEM.

EMERGENCY CALL SYSTEM OPERATION:

- F. THE 'PRESS FOR EMERGENCY ASSISTANCE' MUSHROOM PUSH BUTTON IS ACTIVATED BY THE OCCUPANT.
- G. THIS ENERGIZES THE LED ANNUNCIATOR AND SOUNDER WITHIN THE WASHROOM, AND THE DOME LIGHT WITH SOUNDER OUTSIDE THE WASHROOM.
- H. BOTH ANNUNCIATORS WILL BE ENERGIZED UNTIL THE LATCHING MUSHROOM PUSH BUTTON SWITCH IS PULLED OUT.



WIRE SPECIFICATION	
A	2 x 18 AWG
B	2 x 22 AWG
C	6 x 20 AWG
D	8 x 22 AWG

2395 Skymark Ave
Mississauga, ON Canada L4W 4Y6
Tel: (905) 366-3377
www.camdencontrols.com

	NAME	DATE	TITLE:	
DRAWN	A.OLISA	DEC-24	Riser Diagram	
CHECKED				
ENG APPR.			SIZE	DWG. NO.
MFG APPR.			B	CX-WC18VR-PS & CX-WEC10K2_Riser
QA			SCALE: N/A	REV
COMMENTS:				SHEET 1 OF 1