

Electrified Locks, Relays and Timers

# CM-AF500 Illuminated Annunciator

## INSTALLATION INSTRUCTIONS

### THIS PACKAGE INCLUDES:

- |                               |                                     |
|-------------------------------|-------------------------------------|
| 1 x Faceplate with clear lens | 6 x Label Inserts                   |
| 1 x Foam gasket               | 2 x #6-32 x 3/4" Tamperproof screws |
| 1 x Bracket with LED board    | 2 x #6-32 x 3/4" SS FLT HD screws   |
| 2 x #6 Nylon lock nuts        | 1 x Tamperproof driver              |



### 1. GENERAL DESCRIPTION

CM-AF500 Illuminated Annunciators are designed for industrial and commercial applications, where illuminated signages are required. The Faceplate is Stainless Steel with a 1-3/8" Square Lens.

CM-AF500 can be fitted with 1 of 6 labels provided. This unit requires 12 VDC or 24 VDC to operate.

### 2. APPLICATION

Camden illuminated Annunciator is ideal for high traffic areas that require a visual indicator for an occupied or locked space such as a conference room, restroom or a secure area. It can be surface or flush mounted. Camden Illuminated Annunciator is designed to be controlled by electric locks, electro-magnetic locks, electric strikes, automatic doors, and low energy operators.

### 3. WIRING

Refer the table for 12 VDC or 24 VDC power connections.

Wire Color	Connection
Red	12/24 VDC +/- 10%
Black	Common

#### WARNING:

Do NOT apply power to the unit until all wiring is complete.  
Do NOT apply A/C power. AC must be rectified. (Use CX-5024)

### 4. INSTALLATION

CM-AF500 is supplied with a stainless steel faceplate that can be easily mounted to a single gang electrical box. Only 9/18" depth is required.

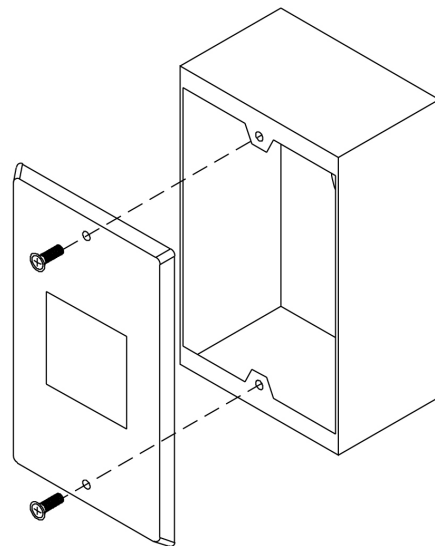
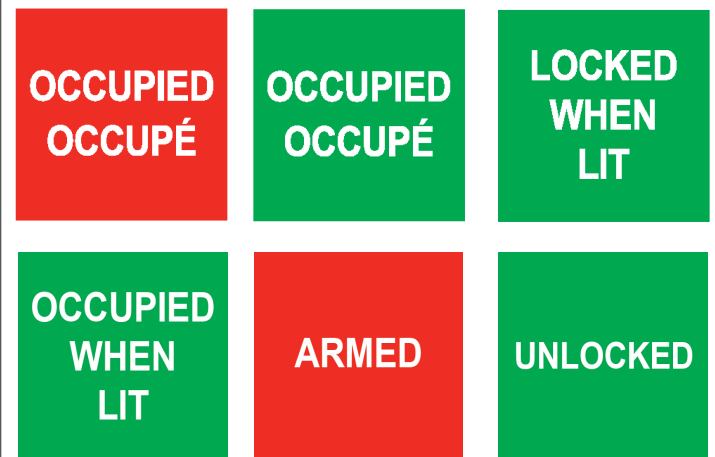


Figure 4.1 Installation

### 5. LABELS INCLUDED



# CM-AF500 Illuminated Annunciator

## INSTALLATION INSTRUCTIONS

### 6. INSTALLING LABELS

1. Center the desired label over the plastic lens on the back of the faceplate.
2. Place diffuser plate over the label.
3. Place the LED assembly over the diffuser and label. The LED holder and clamp have two tabs to hold the label and diffuser in place. Be sure to line up the clamp so both tabs are holding down the assembly.
4. Install the nylon lock nuts. Tighten the nylon lock nuts until the diffuser and label assembly are clamped in place and cannot move.

#### WARNING:

Be careful not to over tighten the two nylon lock nuts as damage to the plastic diffuser may occur.

### 7. CUSTOM LABELS

Custom message inserts (color, text, graphic) available on request. Contact customer service for a free quotation.

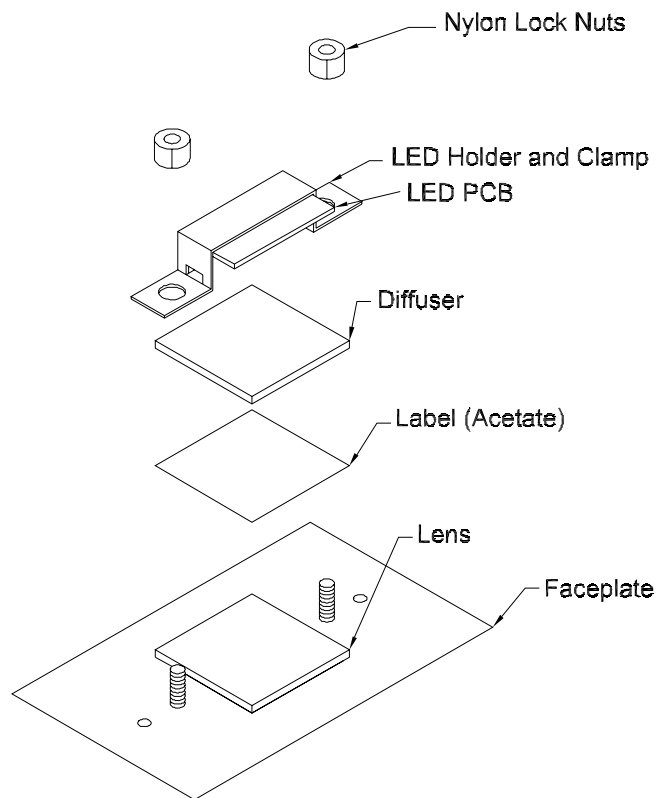


Figure 7.1 Label Installation

### 8. DIMENSIONS

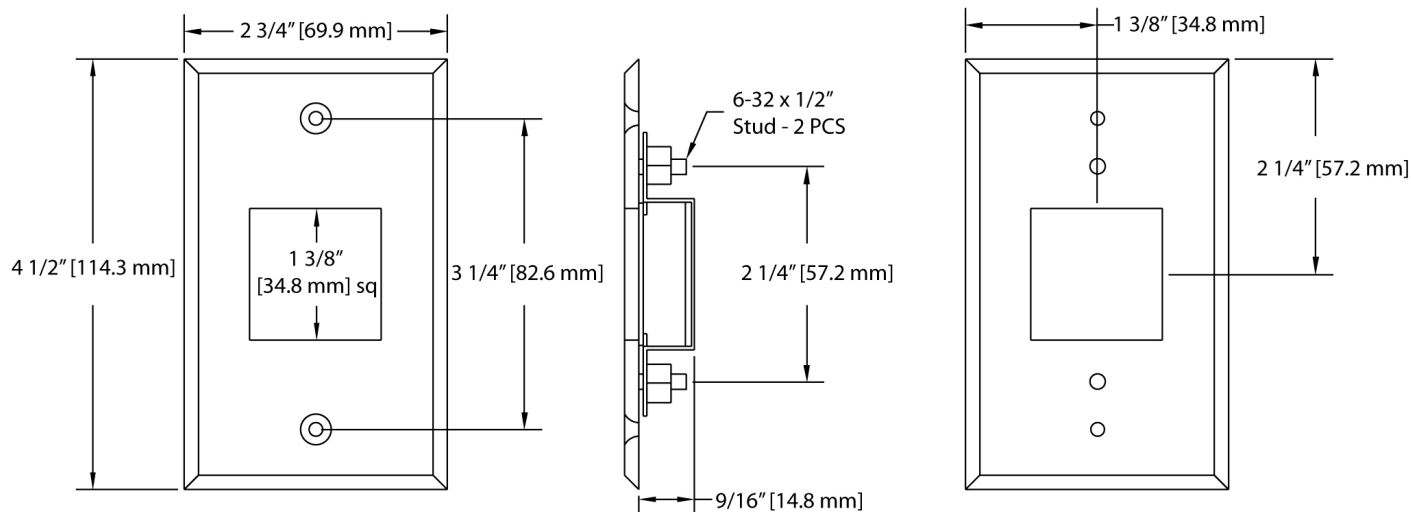


Figure 8.1 Label Installation