

CX-ED1579L 'All In One' Fire Rated Electric Strike



EXCLUSIVE
PRODUCTS



BEST QUALITY

Camden CX-ED1579L Grade 1 fire rated 'all in one' electric strikes offer 'Universal' performance with five stainless steel faceplates, field selectable voltage, fail safe/fail secure operation, and latch bolt monitor included.

Camden CX-ED1579L strikes are UL security and 3-hour fire rated, non-handed, and compatible with most mortise and cylindrical locksets. In addition, they feature adjustable latch monitor placement and easy-fit wiring connectors for power and monitoring.

Features

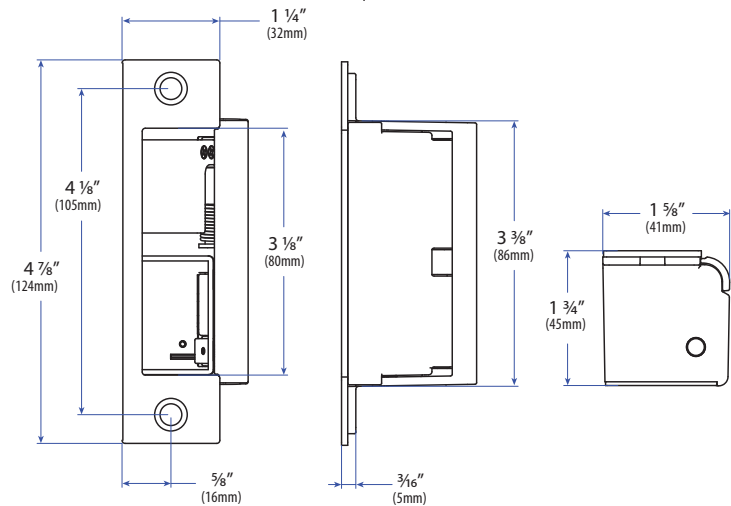
- For mortise and cylindrical locksets
- 3/4" (19mm) latch projection (throw)
- 6 stainless steel faceplates included
- Faceplates also available in black architectural finish (BHMA 622, US19)
- Selectable fail safe/fail secure operation
- Selectable 12/24V AC/DC
- Built-in latch monitoring
- Non-handed, LH/LR
- Easy fit connectors for power and monitoring wires
- Stainless steel strike body
- 5 year warranty



SPECIFICATIONS

Voltage:	12/24V AC/DC
Current Draw:	260mA @12V AC/DC 150mA @24V AC/DC
Static Strength:	1,500 lbs.
Dynamic Strength:	70 ft-lbs.
Mode:	Field Selectable Fail Safe or Fail Secure
Operation:	AC Buzz, DC Silent
Duty:	Continuous (DC)
Mounting:	Non-handed
Endurance:	1,500,000 Cycles (Factory Tested) 250,000 Cycles (UL Verified)
Fire Rating:	UL10C/CAN4-S104 3hrs. (Fail Secure Mode Only)
Latch Bolt Monitor:	SPDT, 100mA @ 24V DC
Dimensions:	4-7/8"L x 1-1/4"W x 1-3/4"D (124mm x 32mm x 45mm)

DIMENSIONS



ORDERING INFORMATION

MODEL	
CX-ED1579L	Grade 1 'all in one' fire rated strike, 12/24V AC/DC, For mortise and cylindrical locksets. Includes: CX-EMP-1, CX-EMP-2, CX-EMP-3, CX-EMP-4, CX-EMP-5
CX-ED1579L-BK	Grade 1 'all in one' fire rated strike, 12/24V AC/DC, For mortise and cylindrical locksets. Includes: CX-EMP-1-BK, CX-EMP-2-BK, CX-EMP-3-BK, CX-EMP-4-BK, CX-EMP-5-BK

FACEPLATES (INCLUDED IN PACKAGE, AVAILABLE IN BLACK)

<p>CX-EMP-1: Stainless faceplate for Sargent, Schlage & Yale mortise locksets</p>	<p>CX-EMP-2: Stainless faceplate for Arrow, Corbin & Best mortise locksets</p>	<p>CX-EMP-3: Stainless faceplate for centerline mortise or cylindrical locksets</p>	<p>CX-EMP-4: Stainless faceplate for mortise locksets with deadbolt</p>	<p>CX-EMP-5: Stainless faceplate for all mortise locks that include both latch & deadbolt</p>
--	---	--	--	--