



## CX-ED1079 SERIES

### 'UNIVERSAL' LOW & STANDARD PROFILE ELECTRIC STRIKES



CX-ED1079 AND  
STAINLESS STEEL  
FACEPLATES

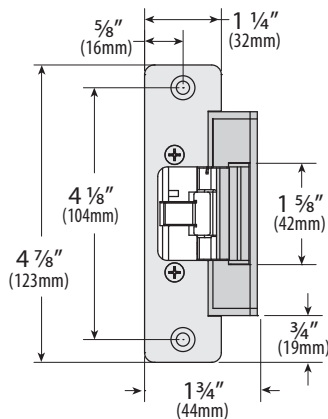
#### FEATURES

- COMPATIBLE WITH CENTERLINE CYLINDRICAL AND MORTISE LOCKSETS
- CX-ED1079: SHALLOW DEPTH, 1/2" - 5/8" (13mm - 16mm)
- CX-ED1079L: AS ABOVE, WITH LATCH MONITORING
- CX-ED1079D: EXTENDED DEPTH, 5/8" - 3/4" (16mm - 19mm)
- CX-ED1079DL: AS ABOVE, WITH LATCH MONITORING
- FIELD SELECTABLE FAIL SECURE/FAIL SAFE
- DUAL VOLTAGE 12/24V, AC OR DC
- ADJUSTABLE STRIKE BODY
- 3 STAINLESS STEEL FACEPLATES PROVIDED:
  - ANSI SQUARE 4 7/8" x 1 1/4" (123mm x 32mm)
  - HOLLOW METAL DOOR 6 7/8" x 1 1/4" (173mm x 32mm)
  - WOOD DOOR 7 7/8" x 1 3/8" (200mm x 36mm)
- CONTINUOUS DUTY OPERATION
- NON-HANDED
- EASY FIT CONNECTORS FOR POWER & MONITORING WIRES
- TRIM PLATE PROVIDED
- 5 YEAR WARRANTY

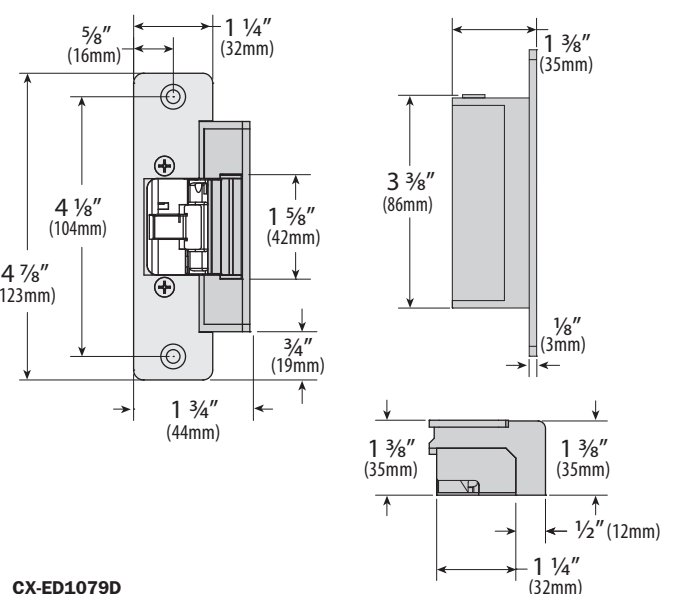
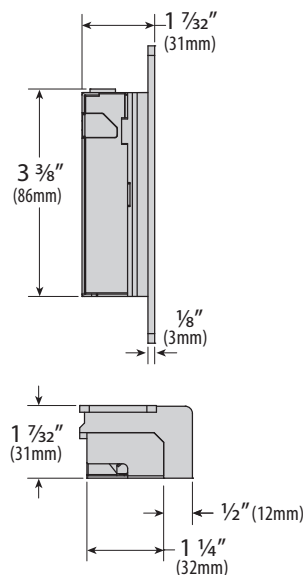
#### DESCRIPTION

Camden CX-ED1079 Series low profile, for 5/8" latch projection) and CX-ED1079D (standard depth, for 3/4" latch projection) 'Universal' grade 1 ANSI strikes offer 'universal' performance with selectable 12/24V AC/DC and fail safe/fail secure operation, and have horizontal faceplate/body adjustment.

#### DIMENSIONS



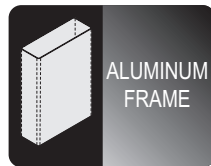
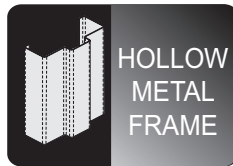
CX-ED1079



CX-ED1079D

# CX-ED1079 SERIES ELECTRIC STRIKES

## DOOR FRAME TYPES



## COMPATIBLE LOCKSETS



## SPECIFICATIONS

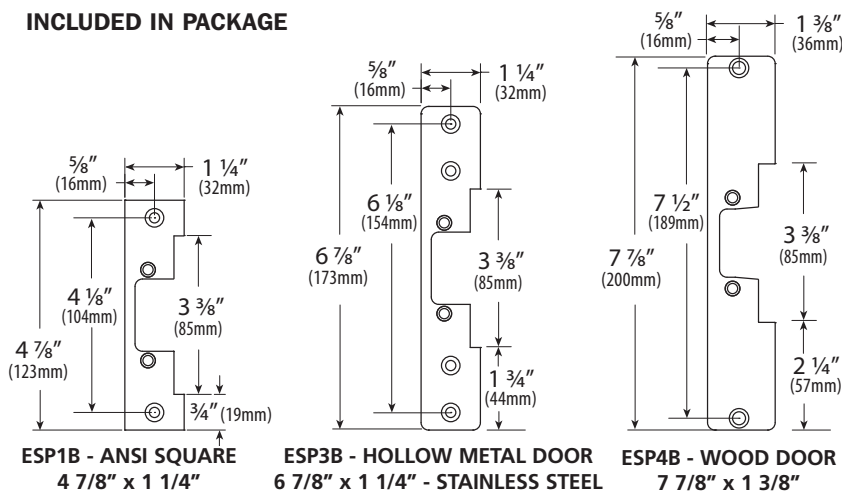
<b>VOLTAGE:</b>	12/24V AC/DC	<b>MECH. ADJUSTMENT:</b>	STRIKE BODY
<b>CURRENT DRAW:</b>	260mA@12V DC, 150mA@24V DC	<b>OPERATION:</b>	AC – BUZZ, DC – SILENT
<b>STATIC HOLD FORCE:</b>	1,500 LBS.	<b>LATCH MONITOR:</b>	LATCH BOLT
<b>DYNAMIC STRENGTH:</b>	70 FT-LBS.	<b>DUTY:</b>	CONTINUOUS
<b>ENDURANCE:</b>	1,000,000 CYCLES (FACTORY TESTED) 250,000 CYCLES (UL VERIFIED)	<b>DIMENSIONS (BODY):</b>	
<b>MODE:</b>	FIELD SELECTABLE FAIL SAFE/FAIL SECURE	<b>CX-ED1079:</b>	3 3/8" L x 1 3/4" W x 1 7/32" D (86mm x 44mm x 31mm)
		<b>CX-ED1079D:</b>	3 3/8" L x 1 3/4" W x 1 3/8" D (86mm x 44mm x 35mm)

## ORDERING INFORMATION

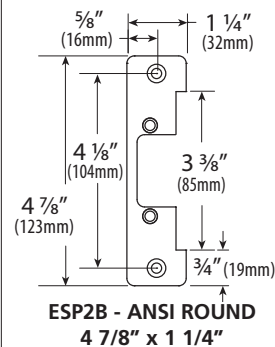
- CX-ED1079:** LOW PROFILE GRADE 1 'UNIVERSAL' ELECTRIC STRIKE, 12/24V AC/DC, FAIL SAFE/FAIL SECURE OPERATION, HORIZONTAL ADJUSTMENT, AND 3 STAINLESS STEEL FACEPLATES (CX-ESP1B, CX-ESP3B & CX-ESP4B)
- CX-ED1079L:** AS ABOVE, WITH LATCH MONITORING
- CX-ED1079D:** STANDARD DEPTH GRADE 1 'UNIVERSAL' ELECTRIC STRIKE, 12/24V AC/DC, FAIL SAFE/FAIL SECURE OPERATION, HORIZONTAL ADJUSTMENT, AND 3 STAINLESS STEEL FACEPLATES (CX-ESP1B, CX-ESP3B & CX-ESP4B)
- CX-ED1079D:** AS ABOVE, WITH LATCH MONITORING

## FACEPLATES

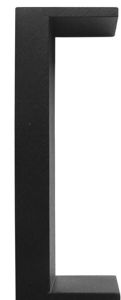
### INCLUDED IN PACKAGE



### ADDITIONAL FACEPLATE



CX-JIG1



CX-ED-LIP1

## CUTTING JIGS

- CX-JIG1:** FOR CX-ED1079L STRIKE, ANSI ROUND FACEPLATE (CX-ESP2B)
- CX-JIG2:** FOR CX-ED1079L STRIKE, HOLLOW METAL DOOR FACEPLATE (CX-ESP3B)
- CX-JIG3:** FOR CX-ED1079DL STRIKE, ANSI ROUND FACEPLATE (CX-ESP2B)
- CX-JIG4:** FOR CX-ED1079DL STRIKES, HOLLOW METAL DOOR FACEPLATE (CX-ESP3B)
- CX-JIG5:** FOR CX-ED1079L/DL STRIKES, ANSI & HOLLOW METAL DOOR FACEPLATES

## LIP EXTENSION BRACKETS

- CX-ED-LIP1:**  
1" LIP EXTENSION FOR ANSI STRIKES (STACKABLE)
- CX-ED-LIP2:**  
2" LIP EXTENSION FOR ANSI STRIKES