

CV-350 SERIES

TCP/IP ACCESS CONTROL SYSTEM



CV-350

CONTROLLER FEATURES

- 2 DOOR NETWORKABLE ACCESS CONTROL UNIT, REDUCES EQUIPMENT COST OF MULTI-DOOR APPLICATIONS
- BUILT IN TCP/IP AND RS485
- 360 DAY DATA RETENTION UPON POWER LOSS
- FUSE PROTECTION: 1A FOR MAINS, 2A FOR 12VDC OUTPUT
- COLOR CODED WIRING AND TERMINALS MAKES INSTALLATION EASIER
- 2 WIEGAND (8 TO 128-BIT) READER PORTS
- 2 FREE INPUTS (N/O OR N/C) AND 2 DOOR SENSOR INPUTS
- 4 FULLY PROGRAMMABLE 10 AMP, N/O AND N/C RELAY OUTPUTS
- INTEGRATED FINGERPRINT READER SUPPORT
- TAMPER INPUT
- LOCKABLE METAL ENCLOSURE INTEGRATED WITH A TRANSFORMER, POWER SUPPLY/CHARGER

NETWORK FEATURES

- DISTRIBUTED INTELLIGENCE. CONTROLLERS WILL FUNCTION EVEN IF THE COMMUNICATION IS NOT PRESENT
- FAILURE OF ONE CONTROLLER UNIT WILL NOT AFFECT OTHER CONTROLLERS ON THE NETWORK
- UNLIMITED NUMBER OF CONTROLLERS PER SYSTEM. FIRMWARE UPDATES THROUGH SOFTWARE.
- UNLIMITED NUMBER OF COMPORTS, TCP/IP NODES AND SUBNETS
- ONE RS485 COMMUNICATION BUS PER SYSTEM
- UP TO 15,000 USERS PER CONTROLLER
- UP TO 15,000 PINS, WITH 1 TO 8 DIGIT LENGTH, PER CONTROLLER

SOFTWARE FEATURES

- COMPATIBLE WITH WINDOWS 10 AND LOWER, SERVER 2016 AND LOWER
- CLIENT-SERVER SOFTWARE, MULTIPLE USERS CAN ACCESS THE DATABASE ON THE SERVER PC
- UNLIMITED NUMBER OF ACCESS LEVELS
- MS ACCESS OR SQL DATABASE
- MULTIPLE LANGUAGE SUPPORT: ENGLISH, FRENCH, ITALIAN, SPANISH, GERMAN, DUTCH, PORTUGUESE, CZECH, POLISH
- PROGRAMMABLE WIEGAND INTERFACE (26 BIT TO 128 BIT).
- FULLY CONFIGURABLE INTERCONNECTION LOGIC OF INPUTS, OUTPUTS AND DOOR SENSORS. ACTIVATE MULTIPLE RELAYS WITH ONE READER
- 24 TIME ZONES, 32 HOLIDAYS, UNLIMITED NUMBER OF ACCESS LEVELS
- HARD AND TIMED ANTI-PASSBACK
- MANTRAP ACCESS
- DYNAMIC DNS SUPPORT

INTEGRATION & MANAGEMENT FEATURES

BIOMETRIC FINGERPRINT READERS

- FINGERPRINT READER MANAGEMENT VIA THE RS485 BUS
- ENROLLMENT CAN BE DONE FROM ANY READER IN THE NETWORK OR DESKTOP ENROLLMENT UNIT
- ENTRY MODE: CARD, FINGER, PIN CODE, CARD+PIN CODE, CARD+FINGER, FINGER+PIN CODE

SYSTEM MANAGEMENT

- ENABLES MANAGEMENT OF USER DATA, PHOTO WITH CUSTOM FIELDS, ACCESS RIGHTS, ALARMS, STRIKE TIMES, AND DOOR MODES, FROM A CENTRAL LOCATION
- GRAPHICAL SITE MAPPING

SYSTEM INTEGRATION

- FIRE ALARM INTEGRATION WITH AUTOMATIC EVACUATION REPORT PRINTING
- INTRUDER ALARM INTEGRATION INPUT

REPORTING

- UP TO 30.000 EVENTS PER CONTROLLER, UNLIMITED PER SYSTEM
- CUSTOMIZED REPORTS WITH FILTER FOR: TIME, USER, DEPARTMENT, READER OR DOOR
- SEND REPORTS BY MAIL
- WEB REPORTING, NO INSTALLATION OF SOFTWARE NEEDED
- SYSTEM LOGS AND REPORTS ALL SOFTWARE CHANGES MADE BY OPERATORS
- 'FIND USER' FEATURE ALLOWS OPERATOR TO SEE THE CURRENT OR LAST KNOWN LOCATION OF A USER

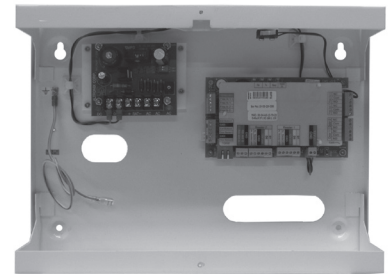
TIME & ATTENDANCE

- TIME & ATTENDANCE CALCULATION OF: WORKING HOURS, OVERTIME, LATE ARRIVAL, LATE FROM BREAK, EARLY LEAVE, EFFECTIVE HOURS AND HOLIDAYS
- MULTIPLE WORK SHIFTS PER USER/USER GROUP

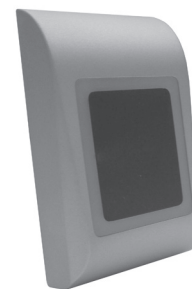
DESCRIPTION

CV-350 from Camden Controls is a powerful and flexible TCP/IP and RS485 networked access control system that is designed to provide easier management, better security and enhanced performance, including integration with fire alarm and intruder alarm systems and time and attendance.

The innovative CV-350 controllers support all input and outputs required for control of two doors (reducing the equipment costs of one door systems) and there is virtually no limit to the number of CV-350 controllers (and users) that can be seamlessly networked together in a single system. System management software also supports multiple CV-350 systems via Internet or LAN connection.



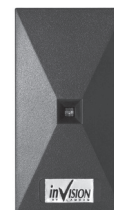
CV-352



CV-930
PROX. READER



CV-940
BIOMETRIC READER



CV-7400
CARD READER

SPECIFICATIONS

POWER SUPPLY:	11-15VDC
USER CAPACITY:	MAX. 15,000 PER CONTROLLER
EVENT CAPACITY:	MAX. 30,000 PER CONTROLLER
COMMUNICATION:	TCP/IP OR RS485
WIEGAND INTERFACE:	26 BIT, 34 BIT OR CUSTOMIZABLE (8 TO 128 BIT)
ENTRY MODE:	CARD, PIN, FINGER, CARD AND/OR PIN, CARD AND/OR FINGER, PIN AND/OR FINGER, FINGER OR CARD
ENVIRONMENT	
TEMPERATURE:	32°F - 113°F (0°C - 45°C)
HUMIDITY:	0-80 %, NON CONDENSING
TAMPER:	YES
CONSUMPTION:	300 MA (WITHOUT READERS)

ORDER INFORMATION

MODELS	DESCRIPTION
--------	-------------

CONTROL PANELS

CV-352:	2 DOOR TCP/IP & RS485 CONTROLLER, 2 AMP POWER SUPPLY, 40VA TRANSFORMER, AND METAL CABINET
CV-352E:	2 DOOR EXPANSION RS485 CONTROLLER, 2 AMP POWER SUPPLY, 40VA TRANSFORMER, AND METAL CABINET
CV-354:	4 DOOR TCP/IP & RS485 CONTROLLER AND RS485 CONTROLLER, 2 AMP POWER SUPPLY, 40VA TRANSFORMER, AND METAL CABINET
CV-354E:	(2) TWO DOOR RS485 CONTROLLERS, (1) 2 AMP POWER SUPPLY, 40VA TRANSFORMER, AND METAL CABINET

2 DOOR SYSTEM KITS

CV-352-K1:	TCP/IP & RS485 CONTROLLER, 2 AMP POWER SUPPLY AND METAL CABINET, (2) CV-7400 AUID/HID PROXIMITY READERS
CV-352-K2:	TCP/IP & RS485 CONTROLLER, 2 AMP POWER SUPPLY AND METAL CABINET, (2) CV-930-SL 'DESIGNER SERIES' AUID/HID PROXIMITY READERS
CV-352-K3:	TCP/IP & RS485 CONTROLLER, 2 AMP POWER SUPPLY AND METAL CABINET, (1) CV-940-SL 'DESIGNER SERIES' BIOMETRIC FINGERPRINT READER

4 DOOR SYSTEM KITS

CV-354-K1:	TCP/IP & RS485 CONTROLLER, RS485 CONTROLLER, 2 AMP POWER SUPPLY, METAL CABINET, (4) CV-7400 AUID/HID PROXIMITY READERS
CV-354-K2:	TCP/IP & RS485 CONTROLLER, RS485 CONTROLLER, POWER SUPPLY, METAL CABINET, (4) CV-930-SL 'DESIGNER SERIES' AUID/HID PROXIMITY READERS

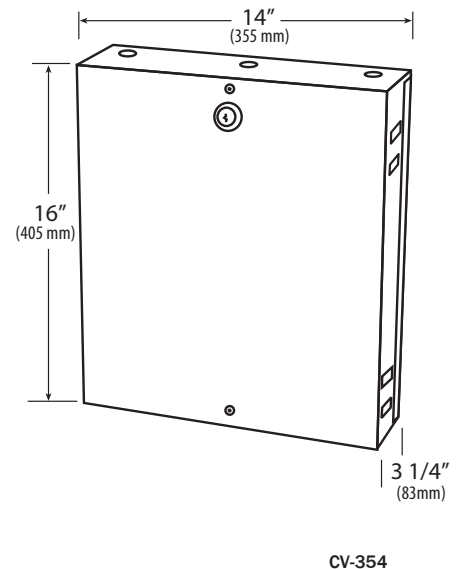
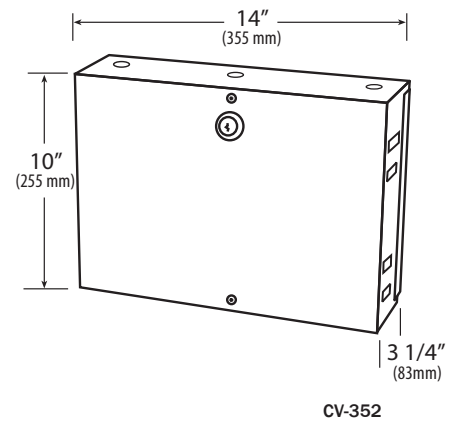
SYSTEM ACCESSORIES

CV-350DK:	USB DONGLE KEY FOR SOFTWARE CLIENT SERVER
CV-350ER:	USB BIO DESKTOP ENROLLMENT READER

CAMDEN WIEGAND DEVICES

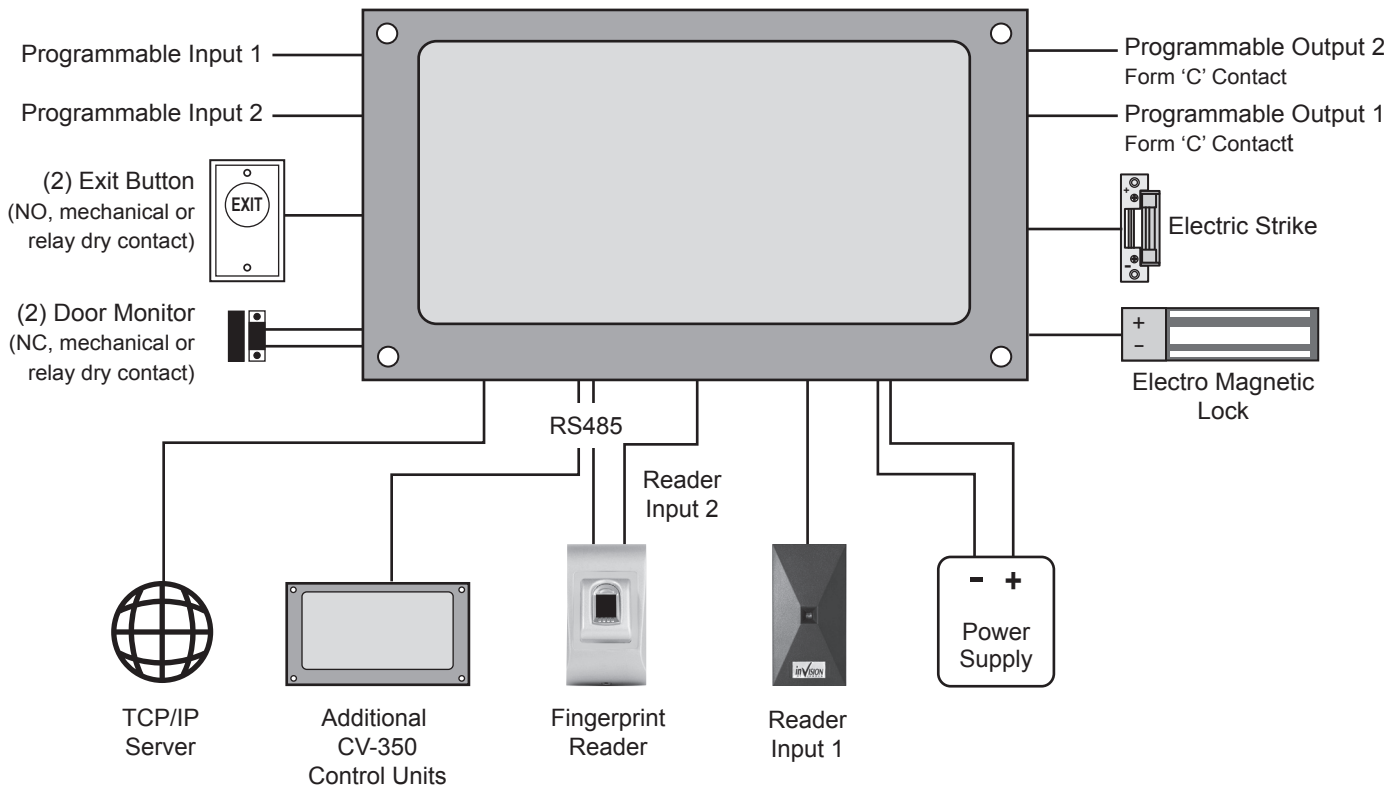
IN ADDITION TO THE WIEGAND DEVICES INCLUDED WITH CV-350 SYSTEM KITS, CAMDEN OFFERS AN EXTENSIVE RANGE OF ADDITIONAL DEVICES INCLUDING:

- INDOOR AND OUTDOOR KEYPADS AND READERS
- VANDAL RESISTANT KEYPADS AND READERS
- 'DESIGNER SERIES' PROXIMITY READERS



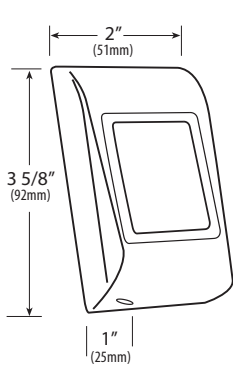
TCP/IP ACCESS CONTROL SYSTEM

CV-350 (VER.3.9) 2 DOOR ACCESS CONTROL UNIT

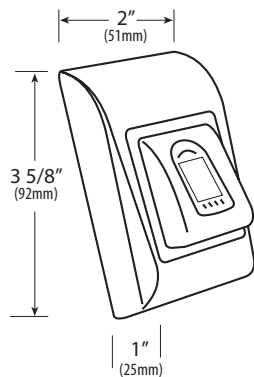


SYSTEM KIT DEVICES

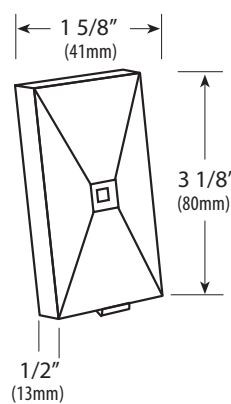
View a complete list of all Camden Weigand keypads and card readers on our website www.camdencontrols.com



CV-930
PROX. READER



CV-940
BIOMETRIC READER



CV7400
CARD READER