



CM-9000/CM-9100 VANDAL RESISTANT EXIT SWITCHES



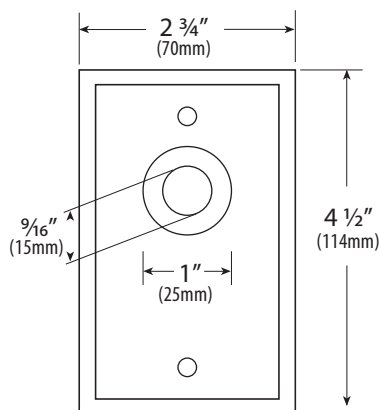
CM-9000 SERIES



CM-9180



CM-9180PTE



CM-9000
SERIES

FEATURES

- ALL METAL, VANDAL RESISTANT CONSTRUCTION
- STEEL BUTTON WILL WITHSTAND EXTREME ATTACKS OF ALL TYPES
- BUTTON IS COUNTERSUNK IN HEAVY 1/4" THICK ALUMINUM PLATE
- SINGLE GANG AND 1 3/4" WIDE PLATES
- INDOOR OR OUTDOOR APPLICATIONS
- UL/CSA APPROVED DPDT SWITCHES, RATED 6 AMPS @ 30V DC.
- COLOR CODED 18 AWG LEADS, WITH SPADE CONNECTORS
- BRUSHED ALUMINUM FINISH
- UL 294 COMPLIANT MODELS

DESCRIPTION

Camden Door Controls CM-9000 Series exit switches are vandal resistant pushbuttons, especially designed and manufactured for high traffic or vandal prone applications.

The buttons are an all-metal construction, and will withstand extreme attacks of all types. The buttons are countersunk in a heavy duty, 1/4" thick brushed aluminum faceplate, in single gang (2 3/4") or narrow stile (1 3/4") widths. Optional US40 (duranodic), finish is also available.

DPDT switches are UL/CSA approved, rated 6 amps @ 30 VDC in either momentary or maintained configurations.

APPLICATION

Camden vandal-resistant exit switches are ideal for high traffic, vandal-prone areas such as building front entrances and exits, schools, and correctional facilities. May also be used in hospitals and other institutions where a low profile, discreet activating device is required.

Camden exit switches are designed to control overhead doors, electric locks, electromagnetic locks, electric strikes, automatic doors, and handicap operators. They may also be used for shunting, bypassing alarms, request to exit, timed functions, and many other applications. The switches are made for high frequency usage, in an indoor or outdoor environment.

KEY SWITCHES

PUSH BUTTONS

MOUNTING OPTIONS

RF CONTROLS

HANDS-FREE SWITCHES

SPECIAL PURPOSE SWITCHES

KEYPADS

ACCESSORIES

VANDAL RESISTANT EXIT SWITCHES

ARCHITECTS/ENGINEERS SPECIFICATIONS

The exit switch(es) to be used shall be Camden Door Controls CM-9000 exit switches.

The assembly shall be vandal and tamper resistant, with all-steel construction. The buttons shall be metal, and able to withstand extreme attacks of all types. The button shall be counter-sunk in a 1/4" thick aluminum faceplate. Stainless steel security screws shall be supplied to affix the assembly.

Ratings for all electrical contacts shall be a minimum of 6 amps @ 30 VDC. The switch used shall be UL 294 compliant or utilize UL/CSA listed switch components and be supplied with color coded leads, and run on either 12V or 24V DC.

ORDERING INFORMATION

All CM-9000 series vandal resistant exit switches come with a 9/16" round, all-metal button, DPDT switch, brushed aluminum faceplate, 2 socket/slotted screws, and 2 tamperproof screws.

MODEL	DESCRIPTION
SINGLE GANG FACEPLATE - 2 3/4" (70MM)	
CM-9080	SINGLE GANG FACEPLATE, DPDT MOMENTARY, SPRING RETURN
CM-9080PTE*	DPDT, MOMENTARY 'PUSH TO EXIT'
CM-9090	SINGLE GANG FACEPLATE, DPDT MAINTAINED, SPRING RETURN
NARROW STILE FACEPLATE - 1 3/4" (44MM)	
CM-9180	NARROW FACEPLATE (1 3/4"), DPDT MOMENTARY, SPRING RETURN
CM-9180PTE*	DPDT, MOMENTARY 'PUSH TO EXIT'
CM-9190	NARROW FACEPLATE (1 3/4"), DPDT MAINTAINED, SPRING RETURN

FOR FACEPLATE GRAPHICS, ADD:

- /3 'PUSH TO OPEN'
- /3F 'POUSSEZ POUR OUVRIR'
- /3S 'EMPUJE PARA ABRIR'
- /7F 'POUSSEZ POUR SORTIR'
- /8 'PUSH TO LOCK'
- /E 'EXIT'

FACEPLATE FINISHES:

'BZ' DARK BRONZE FINISH (BHMA 710, 313AN)

