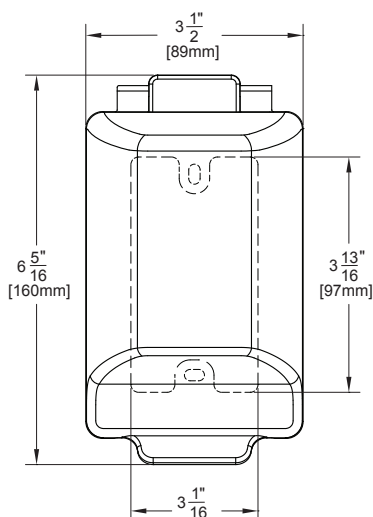
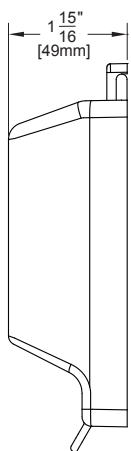




CM-CPC1



FRONT VIEW



SIDE VIEW

PROTECTIVE SWITCH COVER CM-CPC1

FEATURES

- HEAVY DUTY IMPACT RESISTANT POLYCARBONATE CONSTRUCTION
- WEATHER AND DUST RESISTANT, FOR INDOOR OR OUTDOOR USE
- LOW PROFILE, LESS THAN 2" PROTECTION FROM THE WALL
- GASKET INCLUDED
- FOR USE WITH ANY CAMDEN FLUSH MOUNT SINGLE GANG PUSH/EXIT SWITCH, KEYPAD OR KEY SWITCH (NOT FOR USE WITH PULL STATIONS)
- 3 YEAR WARRANTY

DESCRIPTION

Camden Door Controls CM-CPC1 low profile clear lift covers are designed to protect any Camden flush mount, single gang, door activation device, including push/exit switches, keypads and key switches – without limiting the operation of the device. These heavy-duty polycarbonate covers are designed to protect against water and dust, false device activation, or physical damage to the device, due to vandalism or accident. The CM-CPC1 is supplied with a gasket and ideal for use both indoors and outdoors.

APPLICATION

Camden flush mount protective covers are ideal for outdoor applications, to protect single gang door activation devices from rain and snow, in harsh indoor environments to protect devices from dust and chemicals, or in vandal prone applications, where false activation of a device or damage is anticipated.

SPECIFICATIONS

CONSTRUCTION:	MOLDED POLYCARBONATE, CLEAR
TEMPERATURE RATING:	-40°F TO 250°F (-40°C TO 121°C)
DIMENSIONS:	3 1/2"W x 6 5/16"H x 1 15/16"D (89mm x 160mm x 49mm)