

## SERIES 09

### GLASS DOOR STRIKE 1/2" GLASS PROJECTION



CX-EL0955

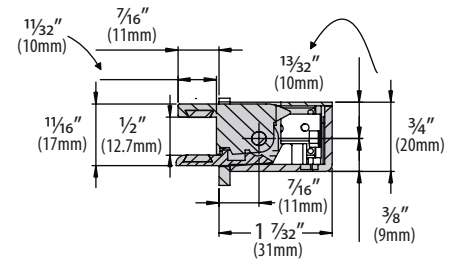
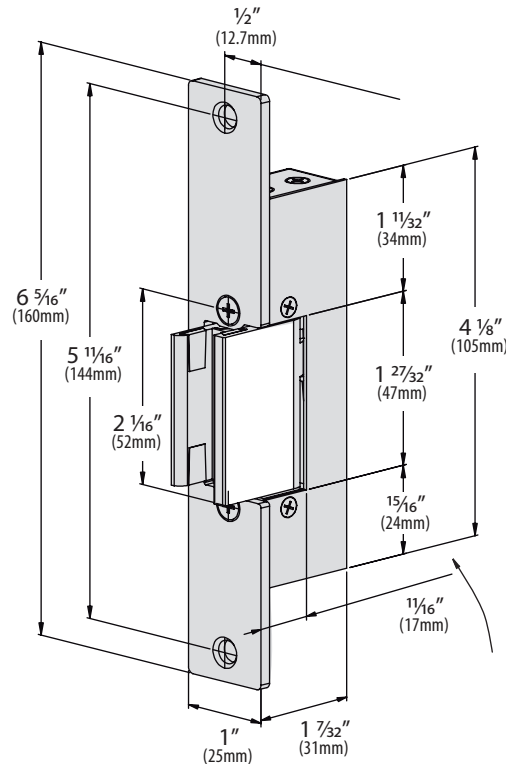
#### FEATURES

- 12 VDC AND 24VDC MODELS
- FULLY REVERSIBLE FOR RIGHT OR LEFT HAND DOORS
- FAIL SAFE AND FAIL SECURE MODELS
- CONTINUOUS DUTY OPERATION
- INSTALL AT TOP OR SIDE OF DOOR FRAME
- 5 YEAR WARRANTY

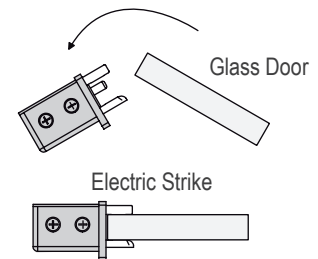
#### DESCRIPTION

Camden 09 Series electric strikes for glass doors are designed for use on single swing glass doors, 1/2" (12.7mm) thick. There are 12 VDC, 24 VDC and fail safe, fail secure models. All glass door strikes are reversible for left and right handed doors and can be installed at the top or side of the door.

#### DIMENSIONS



#### Operation Detail



# GLASS DOOR STRIKE 1/2" GLASS PROJECTION

## SPECIFICATIONS

|                       |   |
|-----------------------|---|
| VOLTAGE:              | 12 VDC OR 24 VDC                                    |
| STATIC STRENGTH:      | 561 LBS. (254 KG.)                                  |
| ENDURANCE:            | 200,000 CYCLES                                      |
| DUTY:                 | CONTINUOUS DUTY OPERATION                           |
| OPERATING TEMP RANGE: | 5°F TO 104°F (-15°C TO 40°C)                        |
| DIMENSIONS:           | 4 1/8"H x 3/4"W x 1 7/32"D<br>(105mm x 20mm x 31mm) |

|   | FAIL SECURE |           | FAIL SAFE |           |
|---|-------------|-----------|-----------|-----------|
|   | CX-EL0955   | CX-EL0958 | CX-EU0955 | CX-EU0958 |
|   | 12 VDC      | 24 VDC    | 12 VDC    | 24 VDC    |
| RATED RESISTANCE                            | 68          | 132       | 70        | 230       |
| STABILIZED DC CURRENT CONSUMPTION           | 180 MA      | 180 MA    | 150 MA    | 120 MA    |
| CONTINUOUSLY OPERATING VOLTAGE RANGE IN VDC | 11-12 V     | 23-24 V   | 11-12 V   | 23-24 V   |

## ORDERING INFORMATION

|            |  |
|------------|--|
| CX-EL0955: | ELECTRIC STRIKE FOR GLASS DOORS, 12 VDC, FAIL SECURE |
| CX-EL0958: | ELECTRIC STRIKE FOR GLASS DOORS, 24 VDC, FAIL SECURE |
| CX-EU0955: | ELECTRIC STRIKE FOR GLASS DOORS, 12 VDC, FAIL SAFE   |
| CX-EU0958: | ELECTRIC STRIKE FOR GLASS DOORS, 24 VDC, FAIL SAFE   |