

CX-WEC12-TS

Emergency Door Control Kit

INSTALLATION INSTRUCTIONS



THIS PACKAGE INCLUDES:

- | | | | |
|---|--|-----------------------------------|------------------------------------|
| 1 - Tape Switch | 1 - CM-SE21 Emergency Assistance Signage | 1 - LED Base | 2 - 6-32 x 3/4" Self-Tapping Screw |
| 1 - CM-8010R/13 "Press to Reset" Button | 1 - Orange Wire Connector | 1 - Lens | 2 - 6-32 x 1" Tamperproof Screw |
| 1 - CM-AF141SO DomeLight w/ Sounder | 2 - Blue Wire Connector | 4 - 6-32 x 3/4" FH PH Screw | 2 - 6-32 x 1" SS FLT HD Screw |
| 1 - CX-LRS24 Relay Assembly | 2 - Foam Gasket | 1 - 2-28 x 5/16" PH Locking Screw | 1 - Tamperproof Driver |
| 1 - CM-AF501SO LED Annunciator | 1 - Oring | 2 - Concrete Anchors | |
| | 1 - Set of Labels | 2 - 3/16" Drywall Plugs | |
| | | 2 - Wire Nuts | |

1. GENERAL DESCRIPTION

The CX-WEC12-TS Emergency Door Control Kit allows you to press the "PRESS FOR EMERGENCY ASSISTANCE" Tape Switch to signal for help by illuminating the "Assistance Requested" Annunciator and activating its sounder.

The CX-WEC12-TS includes a Tape Switch, CM-8010R/13 Push Button Reset, CM-AF141SO Single Gang LED Dome Light Sounder, CM-AF501SO LED Annunciator with Sounder, CX-LRS24 Latching Relay System, and CM-SE21A Emergency Assistance Signage.

Note: CX-WEC12-TS Emergency Door Control System complies to OBC Regulation 368/13, Section 3.8.3.12.

2. OPERATION AT A GLANCE

When you press the "PRESS FOR EMERGENCY ASSISTANCE" Tape Switch, the CM-AF141SO light and sounder along the corridor activates to signal for help, and the CM-AF501SO LED Annunciator inside also activates to confirm that the action has taken place.

Once the emergency has been attended to, you can press the "PRESS TO RESET" button on the CM-8010R/13 to reset the system.

Power

The CM-AF141SO, CM-501SO, and CM-8010R/13 can be powered with either 12/24 VAC/VDC.

Note: When the WEC12-TS is integrated with a Camden Restroom Control Kit, VDC power must be used to prevent the door strike from buzzing.

3. SPECIFICATIONS

Tape Switch "PRESS FOR EMERGENCY ASSISTANCE"	
Switch Type	Momentary
Activation Force	5 lbs. (22 N) nominal
Voltage & Current	1 Amp Max @ 24 VAC/DC
Operating Temp	0 to 122°F (-18 to 50°C)
Dimensions	33-1/2" H x 1-1/32" W x 1/2" D (851mm x 26mm x 13mm)
CM-8010R/13 Push Button Reset Switch	
Switch Type	Momentary
Contact Type	N/C SPST
Current Draw	6A @ 30VDC
Dimensions	4-1/2" H x 2-3/4" W x 1-1/2" D (114mm x 70mm x 38mm)
CM-AF141SO Single Gang LED Dome Light Sounder	
Voltage	12V to 24V AC/DC
Illumination	LED
Current Draw	70mA Max.
Sounder	Piezo, 93dB @ 1m Max. (3 ft.)
Dimensions	4-9/16" H x 2-15/16" W x 2-1/16" D (115mm x 75mm x 53mm)
CM-SE21 Emergency Assistance Signage	
Dimensions	12-1/2" H x 8-1/2" W (317.5mm x 215.9mm)

CX-WEC12-TS Emergency Door Control Kit

INSTALLATION INSTRUCTIONS

CM-AF501SO LED Annunciator with Sounder		CX-LRS24 Latching Relay System	
Voltage	12V to 30V AC/DC	Voltage	24V AC/DC
Illumination	LED	Current Draw	70mA Max
Current Draw	30 - 75mA	Inputs	1 x NC Dry, 1 x NO Dry
Temp Range	32°F - 176°F (0°C - 80°C)	Outputs	1 x NC Dry, 1 x NO Dry
Sounder	Adjustable, 85dB @ 10cm max.	Contact Rating	5A @ 30 VDC
Dimensions	4-1/2" H x 2-3/4" W x 9/16" D (114mm x 70mm x 15mm)	Electrical Life	100,000 @ Rated Capacity
		Dimensions	1-1/16" H x 13-13/16" W x 27/32" D (27mm x 351mm x 21mm)

4. DIMENSIONS

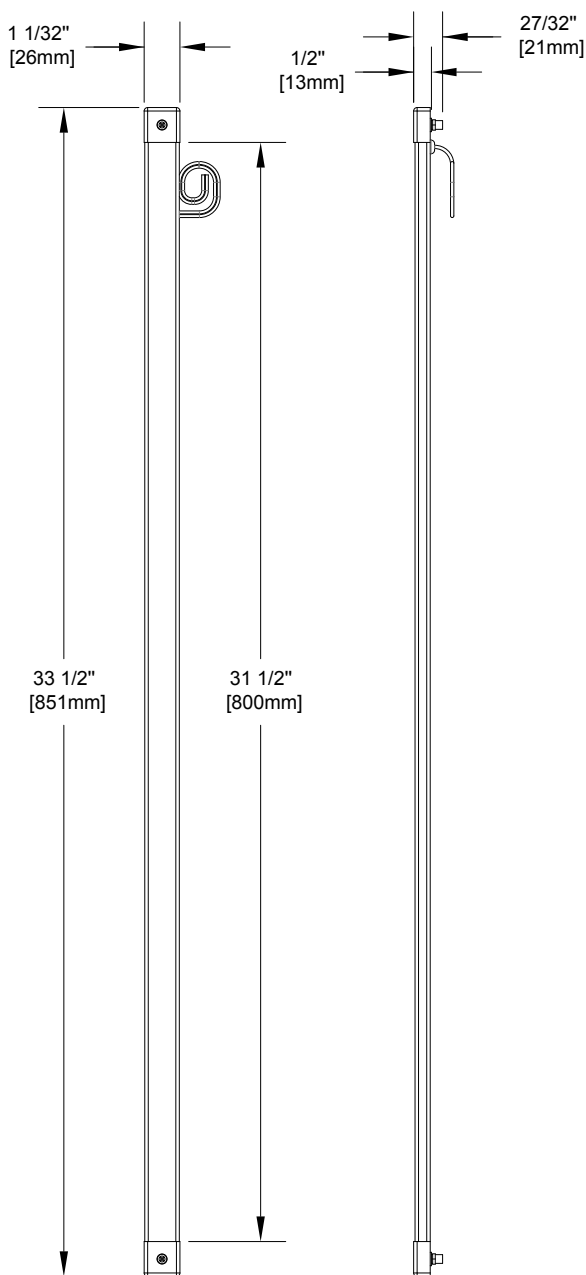


Figure 4.1 Tape Switch Dimensions

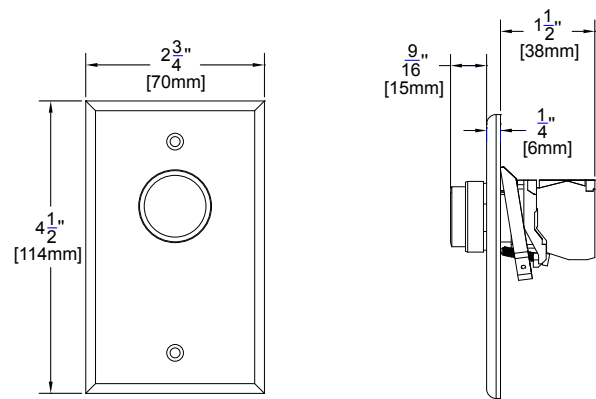


Figure 4.2 8010R/13 Dimensions

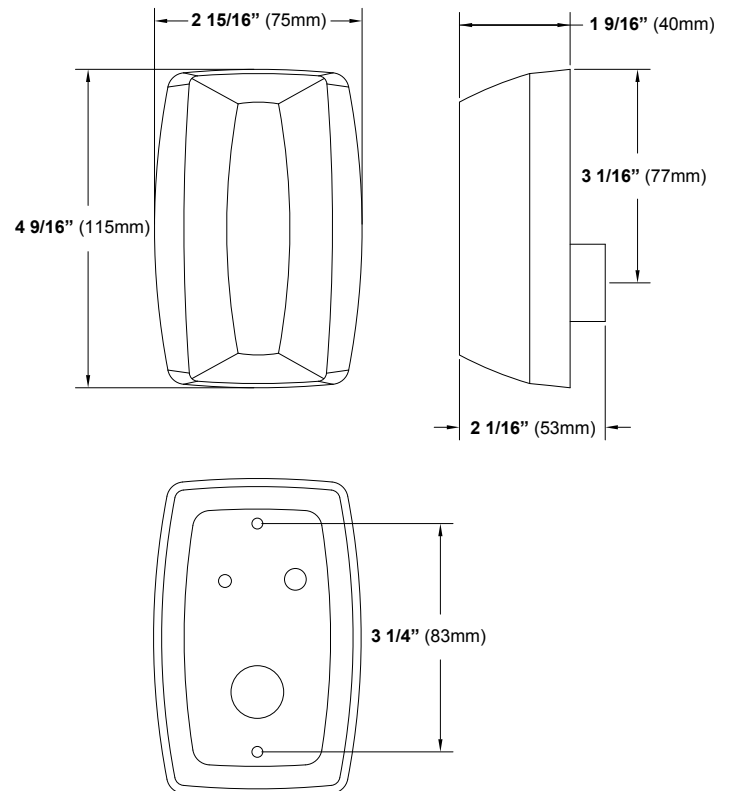


Figure 4.3 CM-AF141SO Dimensions

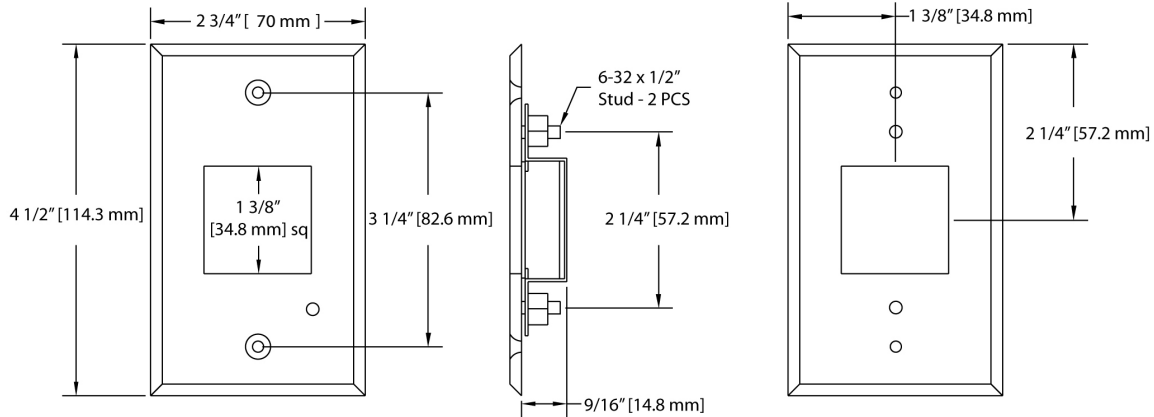


Figure 4.4 CM-AF501SO Dimensions

5. INSTALLATION

Tape Switch Installation

1. Determine the location of the Tape Switch.

Note: As per "R-2.3.8 (8)" Emergency Call System of the Toronto Accessibility Design Guidelines: "Universal washrooms should provide an emergency call system that: (g) Has operable portions or controls consisting of a vertical emergency push strip extending between 200 mm to 1050 mm A. F. F. and located within 500 mm of the water closet".

2. Mark the holes for wiring and the two mounting screws.
3. Use a 7/64" or #35 drill bit to drill the two mounting through holes.
4. Use a 23/64" drill bit to drill the hole for wiring.
5. Place the Tape Switch on the wall to match the wiring and through holes.
6. Insert the wiring.
7. Secure the Tape Switch with the two 6-32 x 3/4" screws, washer, lock-washer, and nut on the other side. (See Figure 5.1)

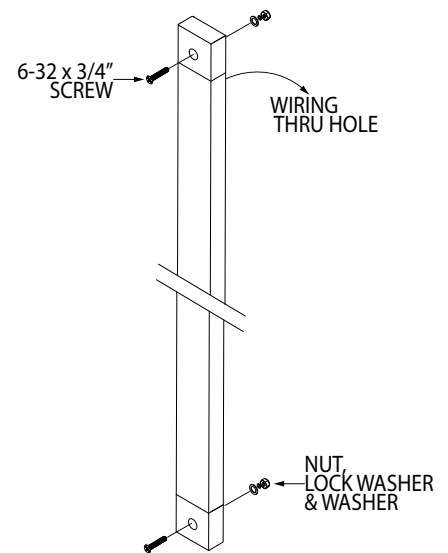


Figure 5.1 Tape Switch Installation

CM-AF501SO Installation

CM-AF501SO provides an illuminated signage with an audible indicator. It is supplied with a stainless steel faceplate that can be mounted to a single gang electrical box with only 1/2" depth required.

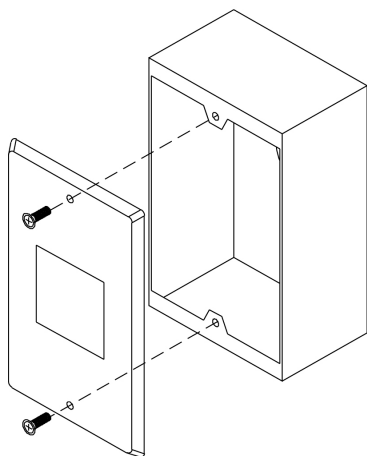


Figure 5.2 CM-AF501SO Installation

CM-AF501SO Sound Volume Adjust

Using a small phillips screwdriver, gently turn the volume adjustment counter-clockwise to reduce the volume and clockwise to increase the volume.

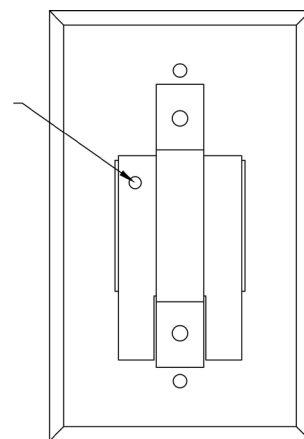


Figure 5.3 Volume Adjustment

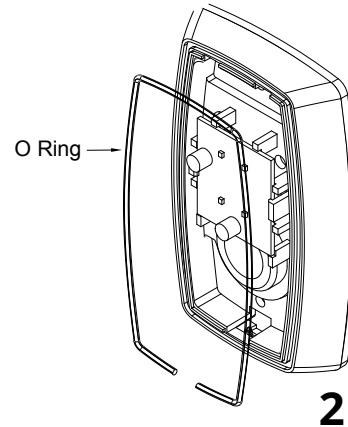
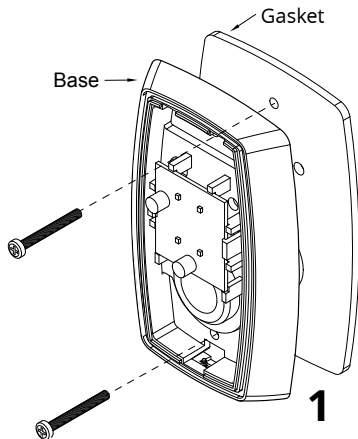
CX-WEC12-TS Emergency Door Control Kit

INSTALLATION INSTRUCTIONS

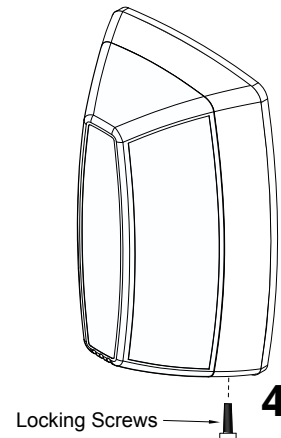
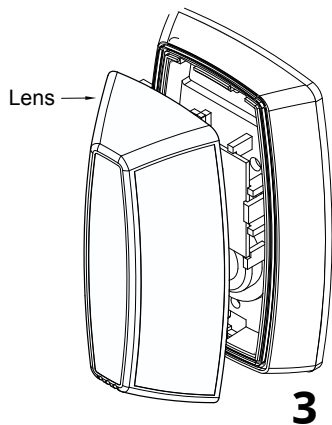
CM-AF141SO Installation

The CM-AF141SO Corridor Lamp provides both visual and audible annunciation. It mounts to a standard single gang electrical box.

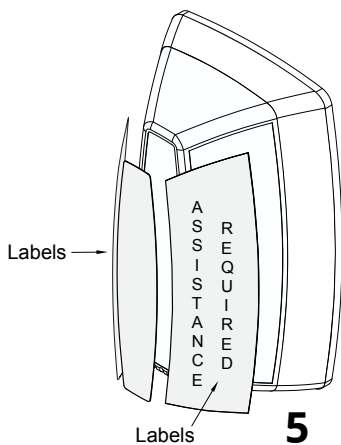
1. Place the supplied gasket between the base unit and the electrical box. Use the 6-32 x 3/4" screws to fasten the base to the electrical box.
2. Insert the O-ring gasket into the small channel in front of the base. The O-ring does not completely close around the base. You must leave a small opening at the bottom of the base.



3. Install the lens by inserting the large bottom tab first. The top tabs will snap in place with little effort.
4. Insert and tighten the 2-28 x 5/16" phillips locking screw into the bottom of the base to secure the lens.



5. Apply the labels as required to the lens.



Sound Volume Adjust

Using a small phillips screwdriver, gently turn the volume adjustment counter-clockwise to reduce the volume and clockwise to increase the volume.

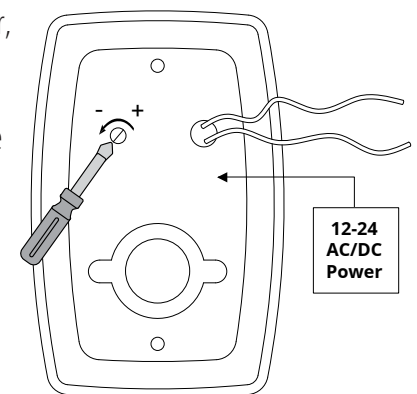
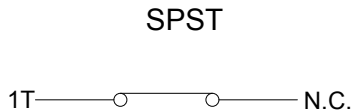


Figure 5.4 Volume Adjustment

CX-8010R/13 Installation

The CM-8010R/13 is a Push Button Reset Switch with a single SPST (Single Pole Single Throw) Momentary NC (Normally Closed) contact block. Insert and secure the wiring into the top and the bottom screw terminals of the contact block.

The CM-8010R/13 is supplied with a 1/4" thick heavy duty brushed aluminum plate in single gang faceplate for door jamb mounting and can be easily mount to a single gang electrical box.



Momentary: When the switch is pressed the current pole will change to the opposite state until released.

Figure 5.5 CX-8010R/13 Contact Diagram

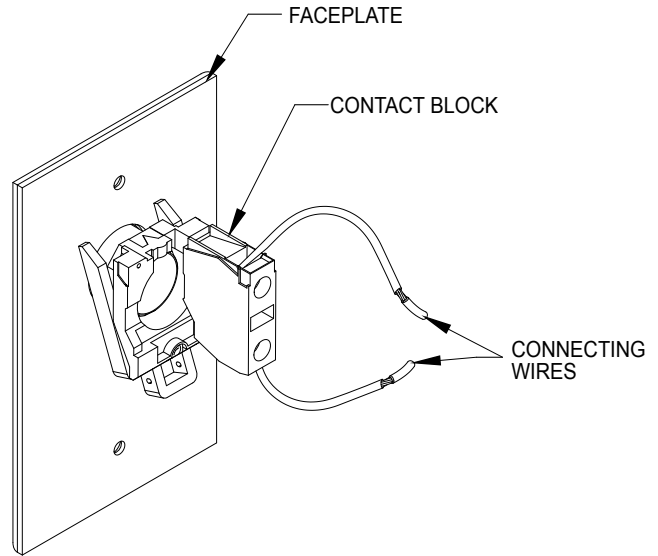


Figure 5.6 CX-8010R/13 Rear View

6. WIRING

CX-LRS24 Latching Relay System

CX-LRS24 provides a latched output for the momentary Call for Emergency Assistance device input. Two outputs are provided for interfacing to external equipment: 1 x NO (Normally Open) and 1 x NC (Normally Close) outputs. The NC push button contact switch CM-8010R/13 is required to reset the relay.

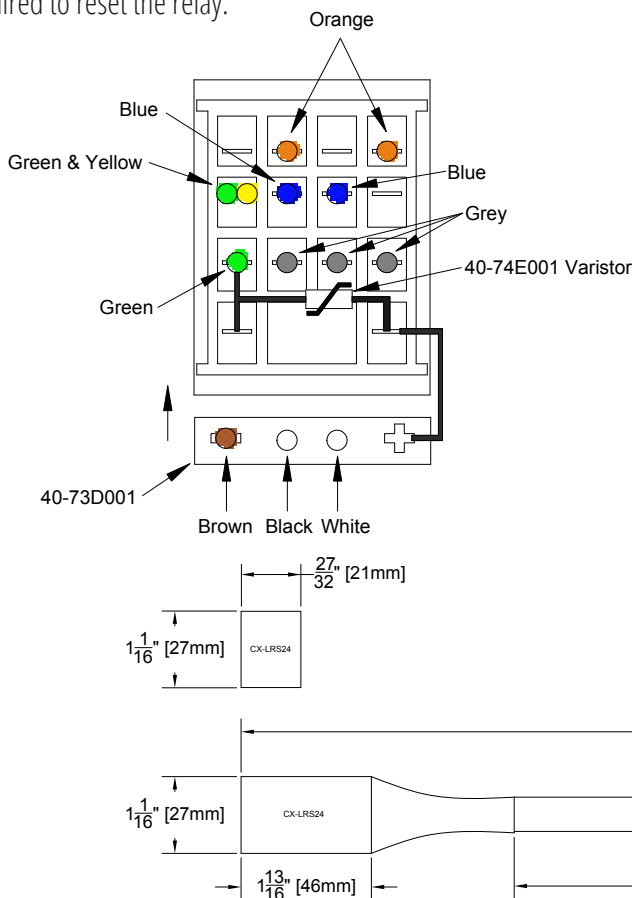


Figure 6.1 CX-LRS24 Mechanical & Wiring Diagram

CX-WEC12-TS Emergency Door Control Kit

INSTALLATION INSTRUCTIONS

Wiring the CX-WEC12-TS Emergency Door Control Kit

Figure 6.2 CX-WEC12-TS Wiring Diagram (below) displays how the Tape Switch, CM-AF501SO, CM-AF141SO, and CM-8010/13 connect to the CX-LRS24 and power supply.

Note:

Some Door Operators provide excessive voltage levels above their posted values. Always measure voltages provided on both the VDC & VAC scales first before applying power to any part of the Emergency Control Kit.

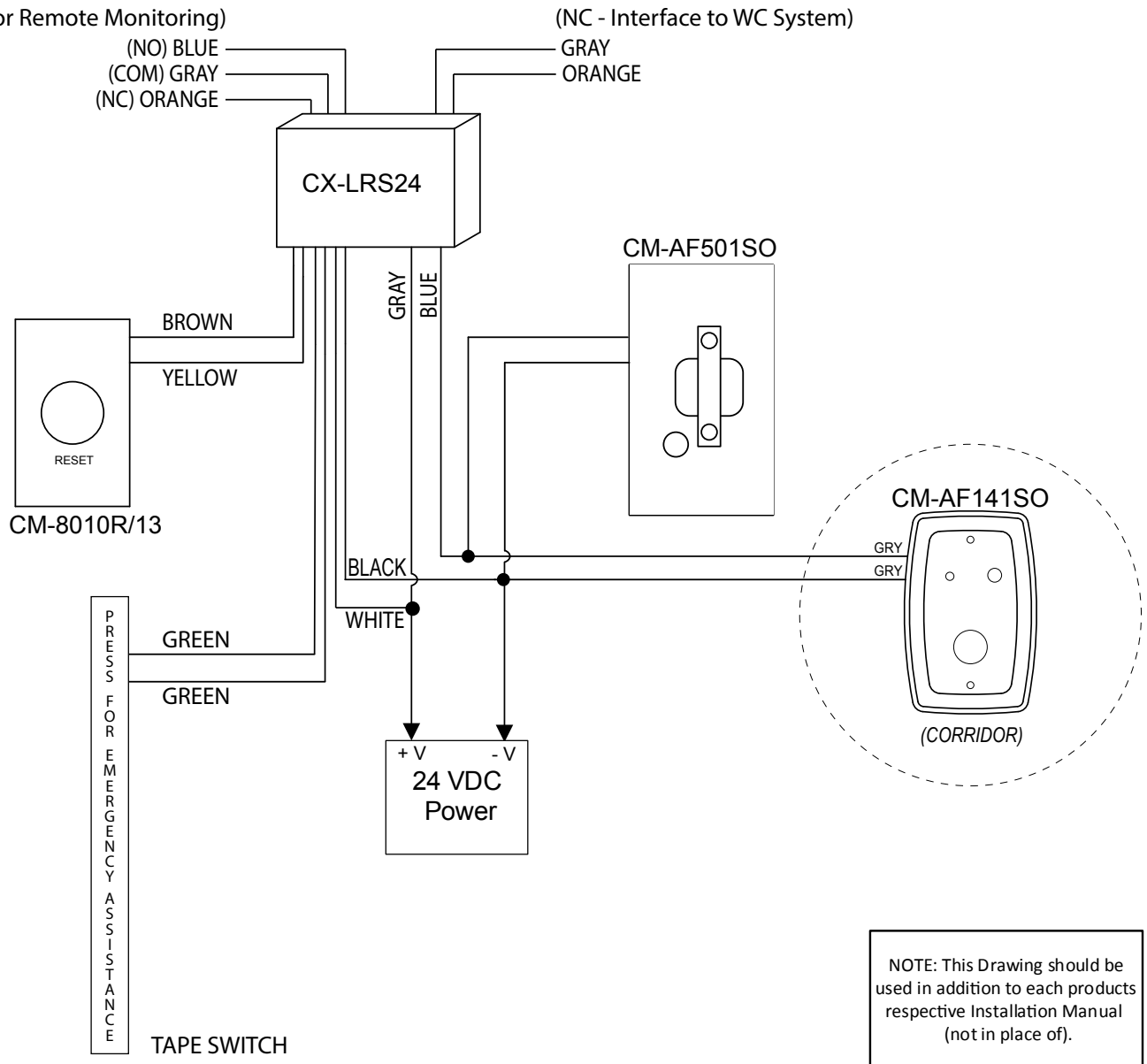


Figure 6.2 CX-WEC12-TS Wiring Diagram

7. ORDERING INFORMATION FOR REPLACEMENT PARTS

Part Number	Description
60-68B010FE	Tape Switch 33.5" Red "Press For Emergency Assist" Bilingual
CM-SE21	Eng. Solid White Bd. OBC WEC Sign, 12.5" x 8.5"
CM-AF501SOFE	LED Annunciator S/S 12/24VDC 'Assist Requested' w/ Sounder
CM-8010R/13FE	Vandal Resistant Extended NC SPST RED BTN. 'Press to Reset'
CX-LRS24	24V Latching Relay Assembly for Camden CX-WEC Call System
60-32E141	CM-AF141SO SG, DomeLight, W/Sounder, Screened
	CM-AF141SO Replacement Parts:
60-31A080	LED PCB Board 18-30 VAC/VDC for CM-AF141SO
60-42K003	Styrene White Adapter Plate
60-42C027-A	Plastic-Dome Lens with English Label "Assistance Required"
60-42C027F-A	Plastic-Dome Lens with French Label
60-42C027FE-A	Plastic-Dome Lens With French & English Labels
60-81A012	6"x 2" Clear Lexan .010 Print Red English Label
60-81A005	6"x 2" Clear Lexan .010 Print Red French Label
60-81A004	6"x 2" Clear Lexan .010 Print Red Bilingual Label
60-34B075	<p>CM-AF141SO Parts Kit:</p> <ul style="list-style-type: none"> 6-32 x 3/4 Flat Head Phillips Zinc Plated Screw (2pcs) #6 x 3/4" Steel Pan Head Phillips Zinc Screw (2 pcs) 5/16" Phillips Rounded Head Screws (1 piece) Yellow/Grey Plastic Anchors 3/16" (2 pcs) Expanded Green PVC Anchors 10-24 Screw (2 pcs) Grey Plastic Wire Nut c/w Spring (2 pcs) Cut Cord (EPDM Durometer Cord CM-AF141SO) (1 piece)
	CM-8010 Replacement Parts:
60-66A019	Red Momentary Push Button (Dia. 1")
60-66C001	Normally Close Contact Block
60-34B026	<p>CM-8010 Parts Kit:</p> <ul style="list-style-type: none"> 6-32 x 3/4" Flat Head Phillips Zinc Plated Screw (2 pcs) 6" Orange Wire with Insulated Spade Connector (1 pc) 6" Grey Wire with Insulated Spade Connector (1 pc)
CM-34AL	<p>CM-8010 Mounting Option:</p> <p>Surface Mount Box with Standard Depth and Threaded Conduit Entry. Heavy Duty Cast Aluminum 4-1/2" H x 2-3/4" W x 1-3/4" D [117mm x 70mm x 47mm]</p>