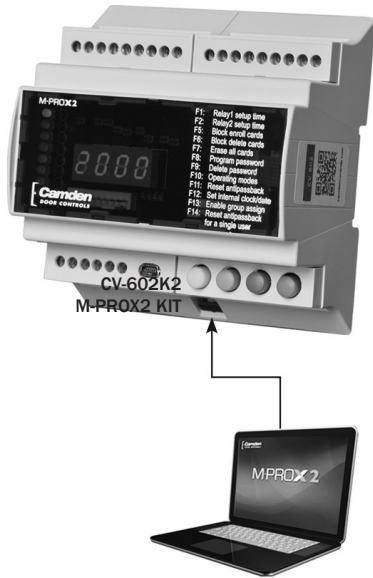


CV-602 M-PROX2

TWO DOOR PROXIMITY ACCESS CONTROL SYSTEM



FEATURES

- M-PROX2 KITS INCLUDE CONTROLLER, 1 OR 2 HID/AWID FORMAT PROX READERS AND 5 CARDS
- COMPACT CONTROLLER WITH LCD DISPLAY, 4 PROGRAMMING BUTTONS AND USB INTERFACE
- PROGRAMMING VIA FRONT PANEL BUTTONS OR USB CONNECTED COMPUTER
- SOFTWARE & USB CABLE INCLUDED
- DAY/WEEK/HOLIDAY SCHEDULING
- EASILY DEFINED ACCESS GROUPS
- 3,800 EVENT AUDIT TRAIL
- LATCHING OR TIMED DOOR OPEN, ANTI-PASS BACK
- 2000 USER CODES
- JAMB MOUNT HID/AWID FORMAT PROXIMITY READER
- VANDAL AND WATER RESISTANT READER (IP67)
- 26, 34 AND 37 BIT WIEGAND PROTOCOL, WITH SITE CODE
- REQUEST TO EXIT INPUT
- (2) FORM 'C' RELAY OUTPUTS

DESCRIPTION

CV-602 M-PROX2™ is an affordable, easy to install and maintain two door proximity access control system. M-Prox2 consists of a small programmable controller (installed on the secure side of the facility), and vandal and weather resistant HID/AWID format mullion mount proximity readers. The system has a capacity of 2,000 users. Cards and FOBs can be individually or batch enrolled/deleted using buttons on the controller, or via a USB connected computer. System software (included) support advanced scheduling and a 3,800 event audit report.



CV7400



CARD READER

APPLICATIONS

CV-602 M-PROX2 two door proximity access control systems are an easily installed and affordable solution for professional offices, retail, daycare or other small system applications. They are also an ideal upgrade to keypads; providing the convenience of proximity access, as well as access scheduling and an event audit trail.

ARCHITECT/ENGINEER SPECIFICATION

The proximity access control system shall be a CV-602 Series 'M-Prox2' manufactured by Camden Door Controls. The system shall consist of a CV-602 compact control unit and be programmable via keys on the front of the unit or via USB connected computer. Readers shall be CV-7400 jamb mount; vandal and weather resistant, HID/AWID format. The system shall support 2,000 user codes, (2) card readers, (2) request to exit inputs and (2) Form C relay outputs, rated 5A @ 30VDC.

The system software shall be PC compatible, Window 7™ compatible, and will support daily, weekly and holiday scheduling, credential enrollment, and provide a 3,800 event audit report.

TWO DOOR PROXIMITY ACCESS CONTROL SYSTEM

TECHNICAL SPECIFICATIONS

USERS:	2,000 CARDS OR FOBs
VOLTAGE:	12/24 V AC/DC
INPUT:	(2) 26, 34 AND 37 BIT WIEGAND, (2) REQUEST TO EXIT
OUTPUT:	(2) FORM 'C' RELAYS
CONTACT RATING:	5A @ 30V DC
OPERATION:	HARD OR TIMED ANTI PASSBACK
PROGRAMMING:	VIA 4 BUTTON CONTROL PANEL, OR USB CONNECTED COMPUTER
SCHEDULING:	DAILY, WEEKLY AND HOLIDAYS
AUDIT TRANSACTIONS:	3,800 EVENTS
READERS:	CV-7400 HID/AWID FORMAT MULLION MOUNT PROXIMITY UP TO 4" - 5" READ RANGE
DIMENSIONS:	<p>CONTROLLER: 4 5/16" H x 4 3/16" W x 2 7/16" D (110mm x 106mm x 62mm)</p> <p>CV-7400 READER: 3 1/8" H x 1 5/8" W x 1/2" D (80mm x 41mm x 13mm)</p>

ORDER INFORMATION

MODEL	DESCRIPTION
CV-602:	M-PROX2, TWO DOOR CONTROLLER
CV-602K1:	M-PROX2 CONTROLLER C/W MULLION READER & (5) AWID FORMAT PROX. CARDS
CV-602K2:	M-PROX2 CONTROLLER C/W (2) MULLION READERS & (5) AWID FORMAT PROX. CARDS

READERS & CARDS

CV-7400:	HID/AWID FORMAT MULLION MOUNT PROXIMITY CARD READER, UP TO 4" - 5" READ RANGE
----------	---

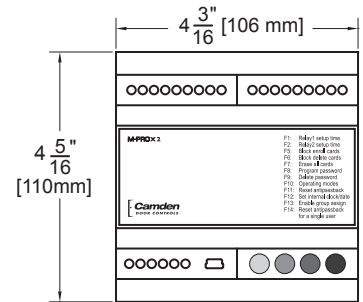
COMPATIBLE PROX. CARDS & KEY TAGS

CV-CSA:	AWID FORMAT PROX CARDS, CLAM SHELL STYLE, PACKAGE OF 10
CV-CSA-B:	AWID FORMAT PROX CARDS, CLAM SHELL STYLE, BOX OF 100
CV-ISA:	AWID FORMAT ISO PROX CARD, PACKAGE OF 10
CV-ISA-B:	AWID FORMAT ISO PROX CARD, BOX OF 100
CV-ISH:	HID FORMAT ISO PROX. CARD, PACKAGE OF 10
CV-ISH-B:	HID FORMAT ISO PROX. CARD, BOX OF 100
CV-KTA:	AWID FORMAT PROX KEY TAG, PACKAGE OF 25
CV-CSH:	HID FORMAT CLAM SHELL PROX. CARD, PACKAGE OF 10
CV-CSH-B:	HID FORMAT CLAM SHELL PROX. CARD, BOX OF 100
CV-KTH:	HID FORMAT PROX.TAG, PACKAGE OF 25

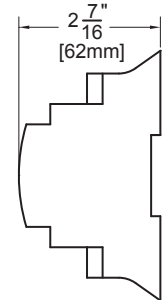
ADDITIONAL COMPATIBLE DEVICES & CREDENTIALS

CM-120:	DIGITAL KEYPAD, INDOOR
CM-120wV2:	WEATHER AND VANDAL RESISTANT ILLUMINATED KEYPAD, INDOOR/OUTDOOR
CV-7400:	HID/AWID DUAL FORMAT READER, JAMB WIDTH, 4" - 5" READ RANGE

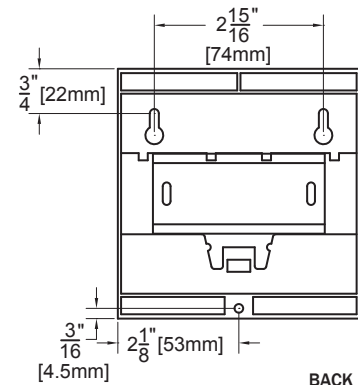
CV-602 CONTROLLER



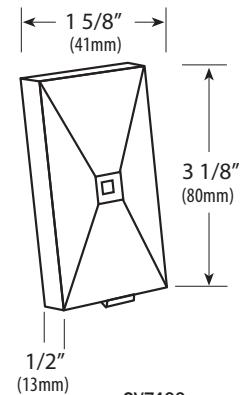
FRONT



SIDE



BACK



CV7400 CARD READER