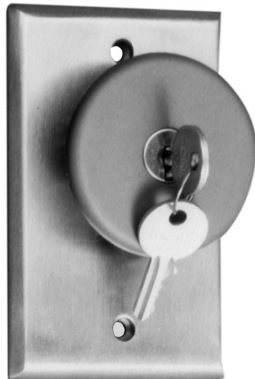


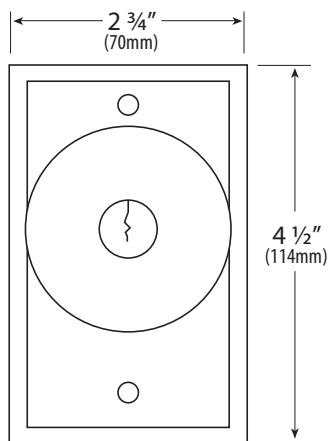


CM-6000

LOCKING MUSHROOM PUSH SWITCHES



CM-6000



CM-6000

FEATURES

- LARGE LOCKING, RED BUTTONS
- IDEAL FOR LOCK-OUT OR EMERGENCY SHUT-DOWN APPLICATIONS
- 2 3/8" (60 MM) DIAMETER
- PUSH ON, TURN KEY TO RELEASE
- VANDAL AND TAMPER RESISTANT
- MOUNTED ON HEAVY 1/4" THICK ALUMINUM PLATE
- STACKABLE CONTACTS CAN CONTROL 6 DISTINCT FUNCTIONS
- UL/CSA APPROVED SWITCHES, RATED 6 AMPS @ 30V DC
- COLOR CODED 18 AWG SPADE CONNECTIONS
- BRUSHED ALUMINUM FINISH
- FAST AND EASY TO INSTALL

DESCRIPTION

Camden Door Controls CM-6000 Series Locking Push Switches are specially designed and manufactured for lock-out or emergency applications. Once pushed, the button latches, and cannot be reset unless the key is inserted and turned in the center locking cylinder.

Red buttons have a 2 3/8" (60mm) diameter. They are supplied with a 1/4" thick, brushed aluminum single gang faceplate.

The switches are UL/CSA approved, rated 6 amps @ 30V DC.

APPLICATION

Camden Locking Push Switches are ideal for lock-out or emergency shut-down applications. Also for use on emergency doors, fire exits, or other applications where a positive latching action is desired.

KEY SWITCHES

PUSH BUTTONS

MOUNTING OPTIONS

RF CONTROLS

HANDS-FREE SWITCHES

SPECIAL PURPOSE SWITCHES

KEYPADS

ACCESSORIES

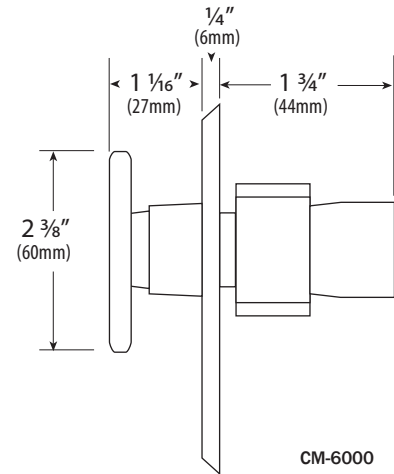
LOCKING MUSHROOM PUSH SWITCHES

ARCHITECTS/ENGINEERS SPECIFICATIONS

The locking push switches to be used throughout the site/complex shall be Camden Door Controls CM-6000 series Locking Exit Switches.

The button shall be 2 3/8" (60mm) in diameter, and designed to be easy to activate. The switch shall have a positive latching action. Once the button is depressed, it locks in place, and cannot be reset unless a key is inserted and turned, in the middle of the switch. The faceplate shall be constructed of 1/4" thick aluminum, and shall be supplied with stainless steel Torx or snake eye security screws.

Rating for all electrical contacts shall be a minimum of 6 amps @ 30 VDC. The switch used shall be a UL/CSA approved type, supplied with color coded leads. The switch assembly shall be modular, allowing for up to six distinctive functions upon activation of the push button.



ORDERING INFORMATION

All CM-6000 Illuminated Push Switches come with a 2 3/8" (60mm) red locking palm button, brushed aluminum faceplate, 2 socket/slotted screws, and 2 tamperproof screws.

MODEL	DESCRIPTION
CM-6030	PUSH ON/KEY TO RELEASE, N/O, SPST MAINTAINED, RED
CM-6040	PUSH ON/KEY TO RELEASE, N/C, SPST MAINTAINED, RED
CM-6050	PUSH ON/KEY TO RELEASE, N/O AND N/C, DPST MAINTAINED, RED

FOR COLOR, ADD:

'B' FOR BLACK BUTTON (SPECIAL ORDER)

