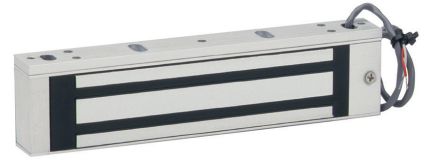


Electrified Locks, Relays and Timers

# CX-90S-03 Magnetic Lock

## 300 Lbs Surface Mount, Single Door

### INSTALLATION INSTRUCTIONS



#### THIS PACKAGE INCLUDES:

- 1 - CX-90S-03 & Mounting Plate
- 1 - Armature Plate
- 1 - Template
- 1 - Parts Kit

#### 1. SPECIFICATIONS

Holding Force	Up to 300 Lbs. (136 kg)
Current Draw	360mA @ 12VDC 180mA @ 24VDC
Dimensions (Body)	1-3/8" H x 6-11/16" W x 13/16" D (35mm x 165mm x 21 mm)

**Note:** Only use UL/CUL Listed Regulated Power Source.

**Important:** Power Switch should always be wired as shown in Figure 2.1 to minimize the effect of residual magnetism. Contact Camden for other wiring considerations.

**SHOCK HAZARD:** Care must be taken to keep the power supply and wiring isolated from ground (earth). Use of an ohmmeter to test for shorts is recommended prior to service.

#### 2. WIRING

##### A. 12V DC Input:

Set jumpers for 12V DC operation. (See Figure 2.1)

- Connect the ground (-) lead from a 12V DC power source to Terminal 2.
- Connect the positive (+) lead from a 12V DC power source to Terminal 1.

##### B. 24V DC Input:

Unit is delivered from Factory with single jumper ON for 24V operation.

- Connect the ground (-) lead from a 24V DC power source to Terminal 2.
- Connect the positive (+) lead from a 24V DC power source to Terminal 1.

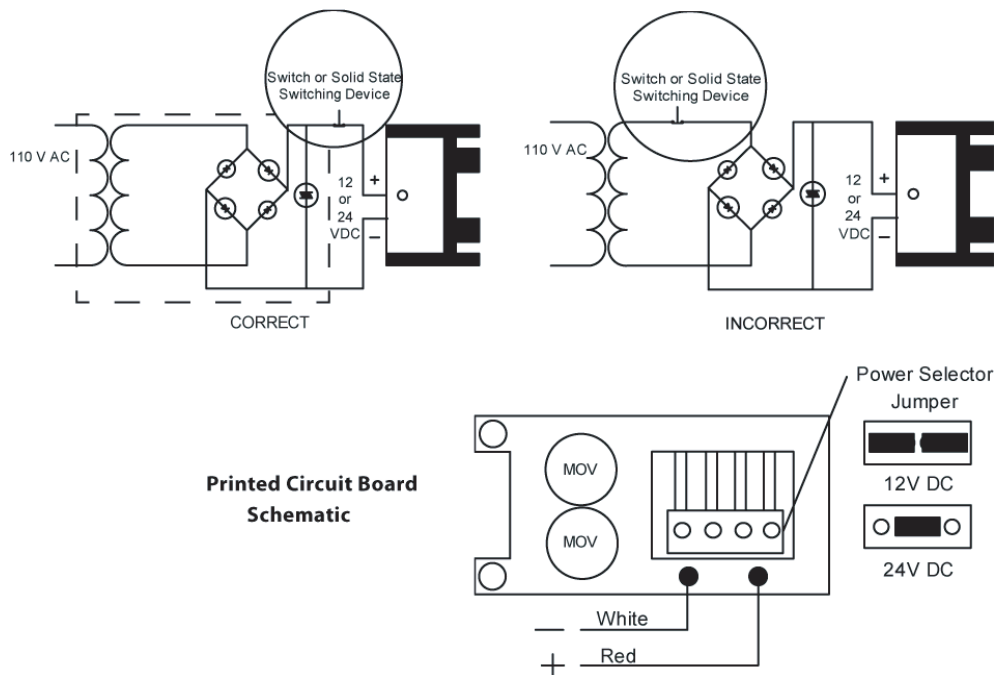


Figure 2.1 Dimensions

# CX-90S-03 Door Magnetic Locks

INSTALLATION INSTRUCTIONS

## 3. INSTALLATION

**Important! Please read before installation.**

1. Remove the tape and washer on the LED for TDS versions.
2. Handle the components with care. Damaging the surfaces of the magnet or armature plate may reduce locking efficiency.
3. The magnet mounts to the door frame. The armature plate mounts to the door with the hardware supplied. This allows it to pivot about its center to compensate for door wear and misalignment.
4. Affix template with the door in its normally closed position.
5. Mark and drill holes. Mount magnet and armature plate with screws installed finger tight at first. Verify all parts align correctly, and then firmly tighten screws.

