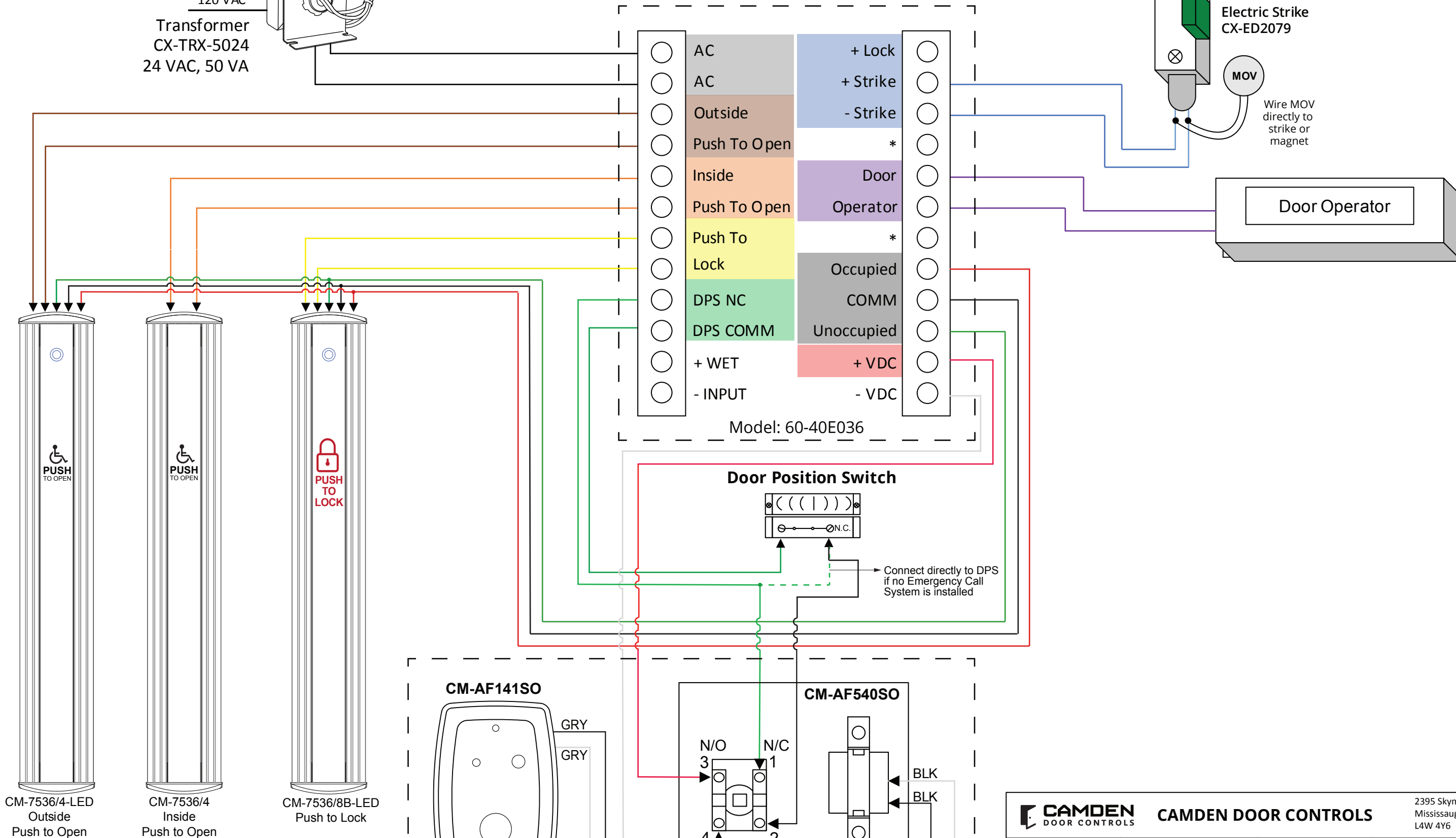
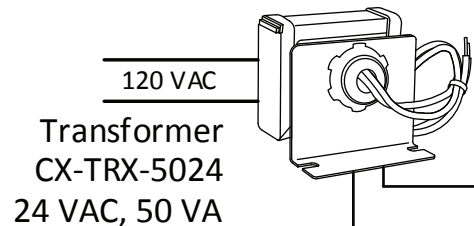
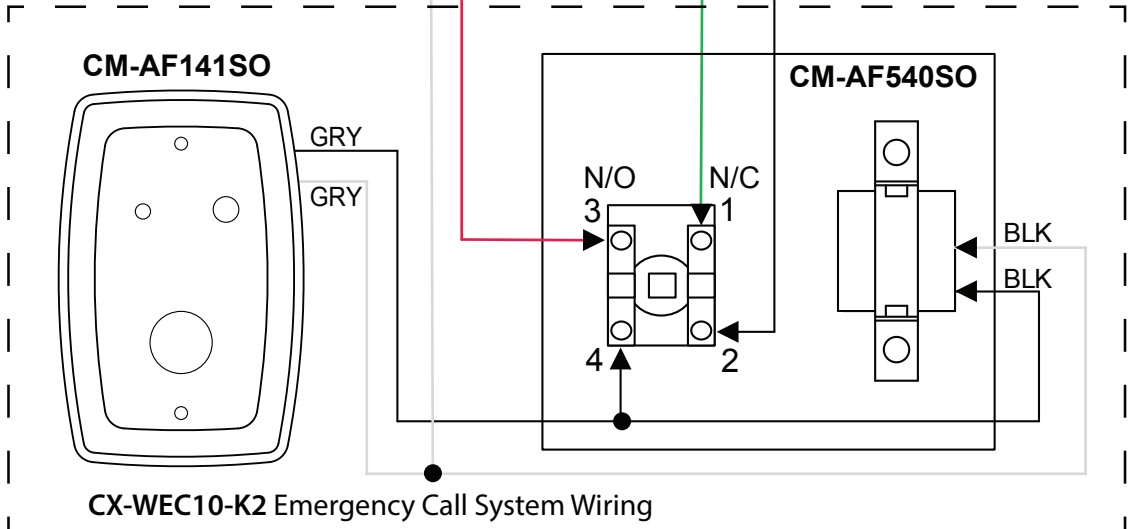


# CX-WC17-PS Wiring Diagram with CX-WEC10-K2 Integration



CM-7536/4-LED Outside Push to Open  
CM-7536/4 Inside Push to Open  
CM-7536/8B-LED Push to Lock

- Notes**
1. CX-33 can be set to Mode 7 (Normally Unlocked) or Mode 8 (Normally Locked).
  2. Mode 7 = Set Set Strike to Fail Safe.
  3. Mode 8 = Set Strike to Fail Secure.



<b>CAMDEN DOOR CONTROLS</b>		2395 Skymark Ave, Mississauga, ON L4W 4Y6	
SCALE: NONE	DRAWN BY: JML (JF)	DATE: Oct. 7, 2025	REV: 0
CX-WC17-PS & CX-WEC10K2 Wiring Diagram			
DRAWING No: DRG-WC17-PS_WEC10-K2-1		FILENAME: CX-WC17-PS-7_WEC10K2_Wiring Diagram_R1.ai	