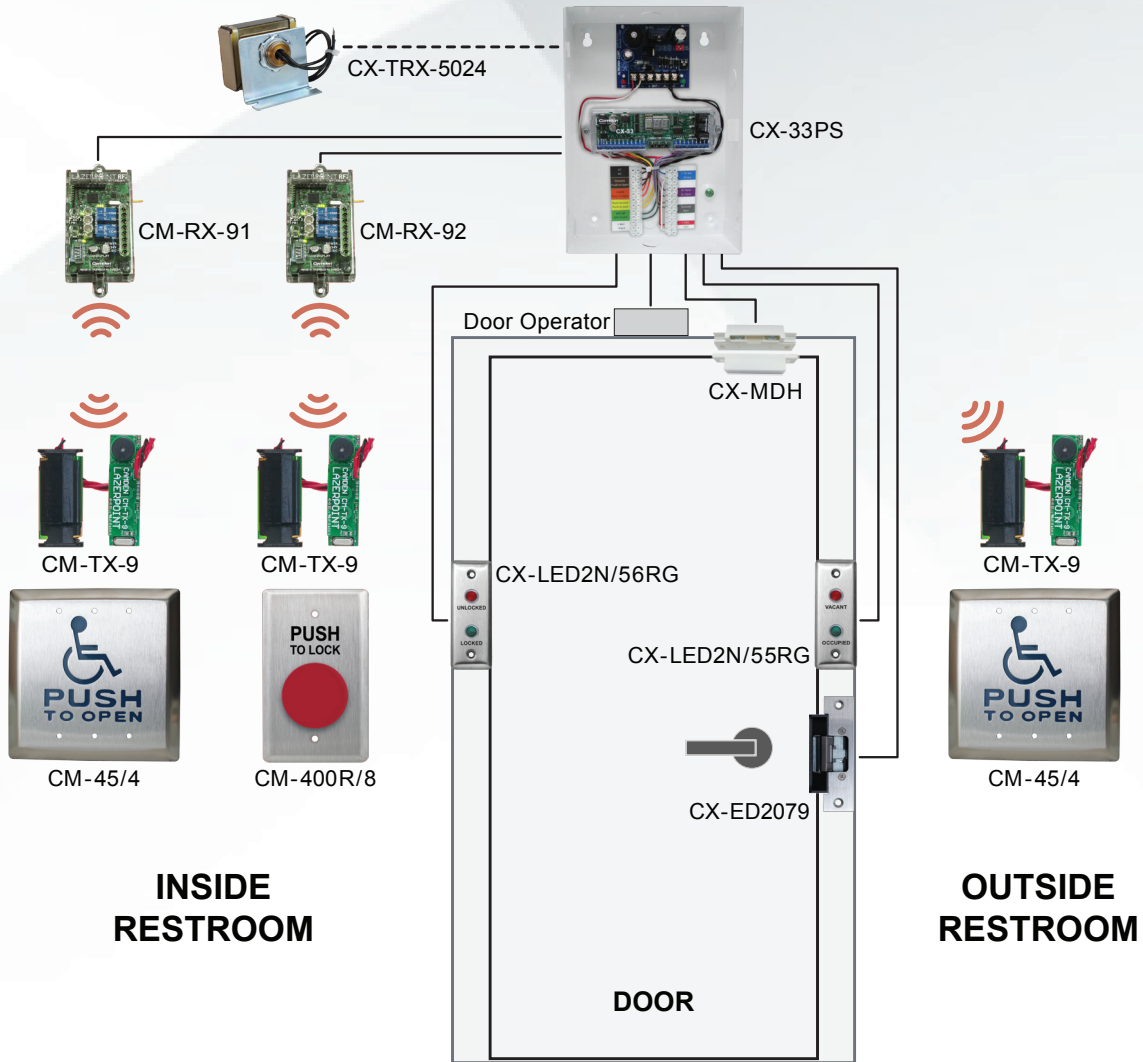




# AUTO DOOR

# One Door Restroom Systems



## Non-Illuminated - Wireless

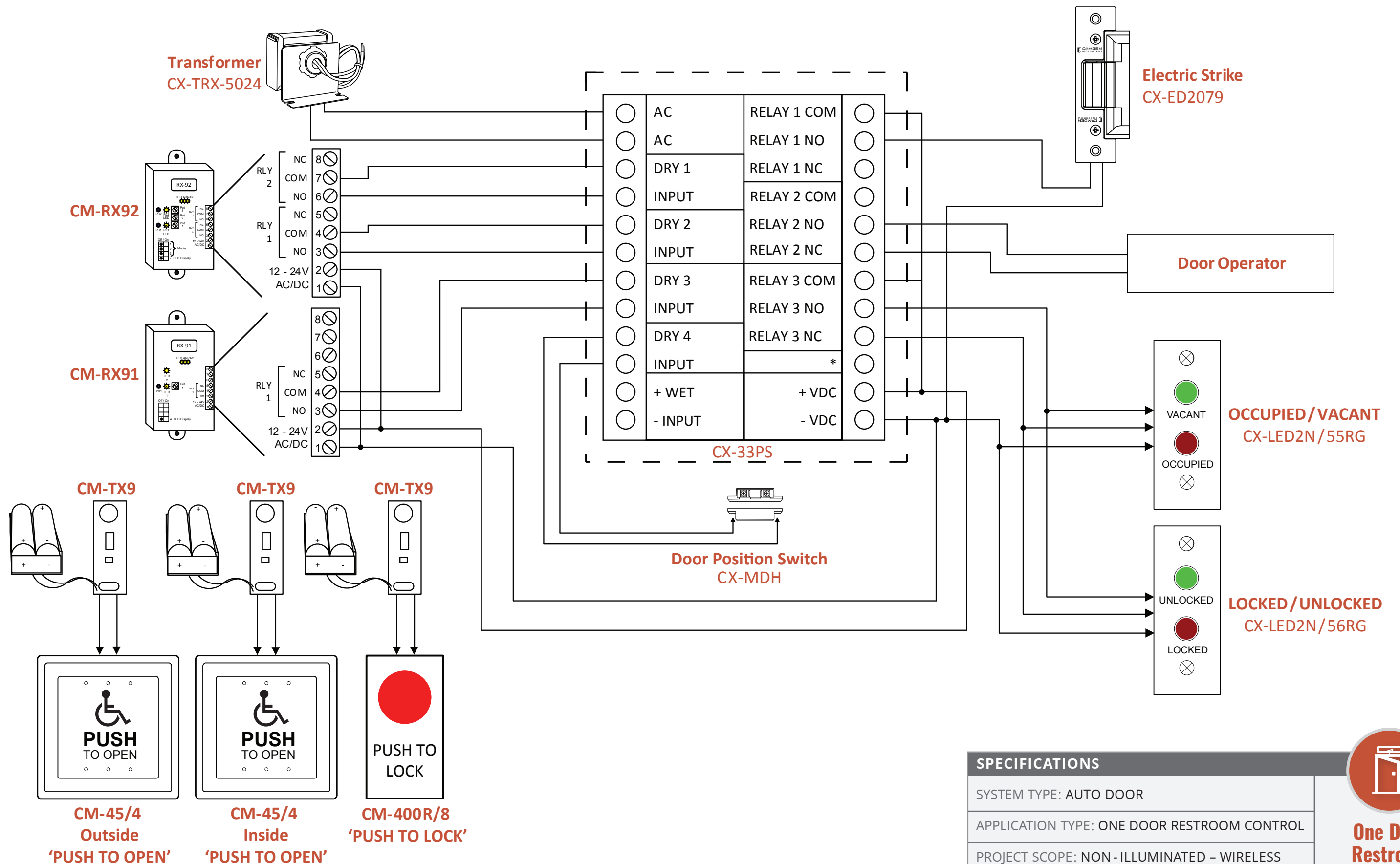
OBC compliant, normally unlocked, restroom control system with battery powered wireless activation switches is designed for installations where running wires is difficult or expensive. 'Occupied'/'vacant' annunciation outside the restroom, and 'locked'/'unlocked' annunciation inside the restroom is provided by door jamb mounted narrow 1/2" LED annunciators.

## FEATURES

- A complete application, including all activation, annunciation, locking and control devices
- Battery powered 915Mhz. spread spectrum wireless activation devices
- 12/24 VDC line powered 'Occupied' and 'Locked Door' annunciation
- High quality devices with 3-year warranty



Opening New Doors to Innovation, Quality and Support!  
 1.877.226.3369 / 905.366.3377 • www.camdencontrols.com



**SPECIFICATIONS**

SYSTEM TYPE: AUTO DOOR	
APPLICATION TYPE: ONE DOOR RESTROOM CONTROL	
PROJECT SCOPE: NON - ILLUMINATED - WIRELESS	
DRAWN BY: JACK LEWIS	FILE NUMBER: 1.1.2.1.B



**One Door Restroom Control**



**AUTO DOOR**

# One Door Restroom Systems



**CX-33PS**

Advanced logic control relay and power supply cabinet



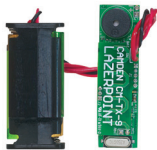
**CM-45/4**

4-1/2" Square push plate switch, wheelchair symbol and 'Push to Open' text



**CM-400R/8**

1-5/8" Mushroom push button, 'Push to Lock' text



**CM-TX-9**

Battery powered Lazerpoint RF™ wireless switch transmitters



**CM-RX91**

Lazerpoint RF™ single relay wireless receiver



**CM-RX92**

Lazerpoint RF™ dual relay wireless receiver



**CX-LED2N/55RG**

1/2" Red (Occupied) &/or Green (Vacant) LED annunciator, narrow (jamb) faceplate



**CX-LED2N/56RG**

1/2" Red (Locked) &/or Green (Unlocked) LED annunciator, narrow (jamb) faceplate



**CX-ED2079**

Universal Grade 2 ANSI Electric Strike

**ADDITIONAL ITEMS**

CX-MDH Concealed magnetic door contact



**Opening New Doors to Innovation, Quality and Support!**  
 1.877.226.3369 / 905.366.3377 • [www.camdencontrols.com](http://www.camdencontrols.com)