

CM-30U

Push Button Exit Switch

INSTALLATION INSTRUCTIONS



THIS PACKAGE INCLUDES:

- | | |
|---|--|
| 1 - CM-30U Push Button Exit Switch | 1 - 6" Gray Wire Female Flag Connector |
| 1 - Multi Label Package (20 labels) | 2 - 6-32 x 3/4" PH Oval HD S/S Screw |
| 1 - 6" Black Wire Female Flag Connector | 5 - Wire Nut c/w Spring |
| 1 - 6" Red Wire Harness Flag Connector 1.5k Ohm 1W Resistor | 2 - Snake Eye Tamper Prf Screw 6-32 x 3/4" |
| 1 - 6" Orange Wire Female Flag Connector | 1 - Snake Eye Tamper Prf Key |
| 1 - 6" Blue Wire Female Flag Connector | |

1. GENERAL DESCRIPTION

Camden CM-30 series Illuminated Push Button Exit Switches are designed to mount into a deep style single gang electrical box or a CM-34D surface mount enclosure.

The large 2" square translucent button is easy to push. One momentary micro switch is provided with Form 'C' output, rated at 10 amps @ 125 VAC.

CM-30 models are supplied with a 12V DC long-life LED, which is accessed through the front or rear. If the LED will be used with 24V DC, the supplied in-line resistor must not be removed.

2. SPECIFICATIONS

Switch Contact Rating:	10 Amps @ 125 VAC
LED Cluster Voltage	20,000 Hours 12/24 VDC Only
Size	4-1/2" H x 2-3/4" W x 2-1/2" D (114.3mm x 69.9mm x 63.5mm)

3. LABEL INSERT INSTALLATION

Install the Label Insert

(See Figure 3.1)

1. Select a Label Insert from the Labels included in the package.
2. Place the Label Insert into the Clear Lens Cap.
3. Place the white Plastic Chip into the Lens Cap to hold the Message Label Insert in place.
4. Push the assembled Lens Cap into the Button housing until it snaps in place.
5. Insert the LED Cluster or LED Bulb into the Lamp Holder.
6. Insert the Lamp Holder into the Button Housing at a slight angle of about 11 o'clock. With Lamp Holder firmly seated in

the Button Housing, twist the Lamp Holder clockwise until it snaps in place.

Labels Included

PUSH TO OPEN	PUSH TO EXIT	EXIT	OCCUPIED WHEN LIT	SORTIE EXIT
OCCUPÉ OCCUPIÉ	SORTIE	POUSSEZ POUR SORTIR	SALIDA	EMPUJAR PARA SALIR
EXIT	PUSH TO EXIT	PUSH TO LOCK LOCKED WHEN LIT	ALARM ARMED	SORTIE
POUSSEZ POUR SORTIR	SALIDA	EMPUJAR PARA SALIR		

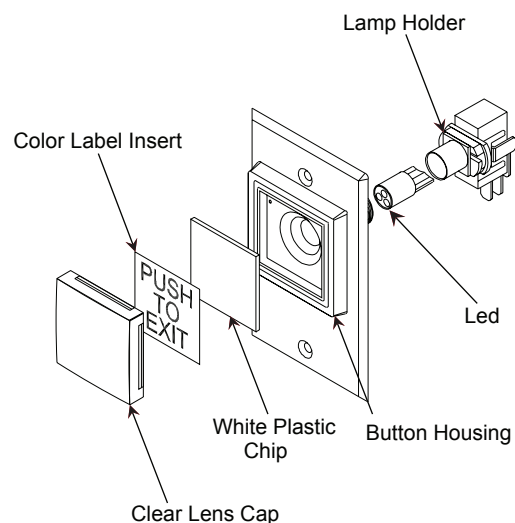


Figure 3.1 Dimensions

4. MOUNTING

Push the color-coded leads onto the switch terminals (if not already installed), as per the enclosed diagram. If illumination is not required, the Red & Black wires can be removed. Connect the appropriate wires to your devices. Tuck wiring into box, and fasten switch plate using screws provided.

Important

A lead with blue-colored heat shrink (over in-line resistor) is supplied on LED model.

A lead with black colored heat shrink (over in-line resistor) is supplied on LED bulb model.

Leave resistor on for 24 Volts.

Cut off resistor for 12 Volts.

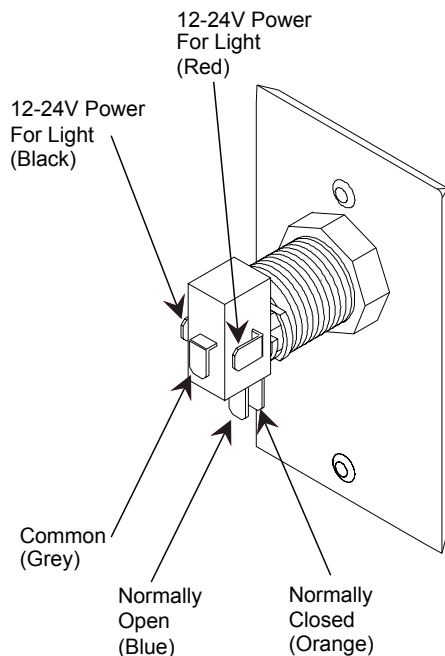
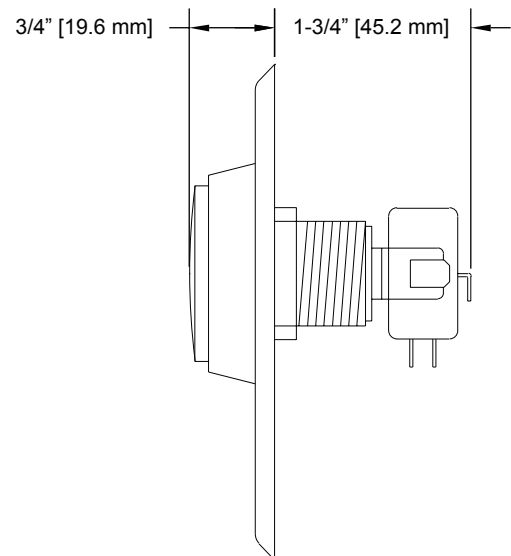
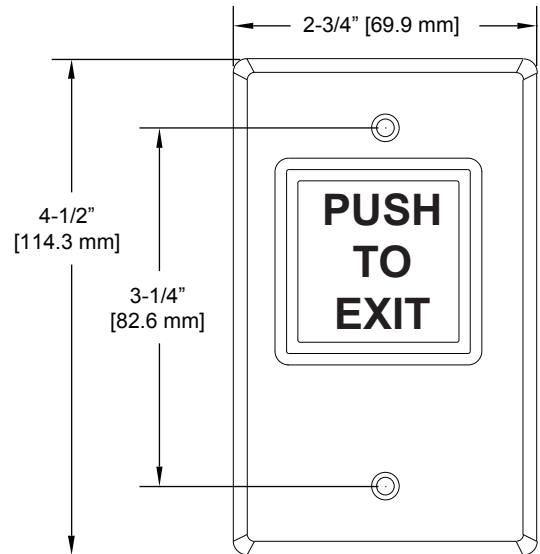


Figure 4.1 Mounting



WARNING: Do NOT apply power to the unit until all wiring is complete.

5. WARRANTY

Camden Door Controls guarantees the CM-30 to be free from manufacturing defects for 3 years from date of sale. If during the first 3 years the CM-30 fails to perform correctly, it may be returned to our factory where it will be repaired or replaced (at our discretion) without charge. There is no warranty for LED damage due to over voltage! Except as stated herein, Camden extends no warranties expressed or implied regarding function, performance or service.