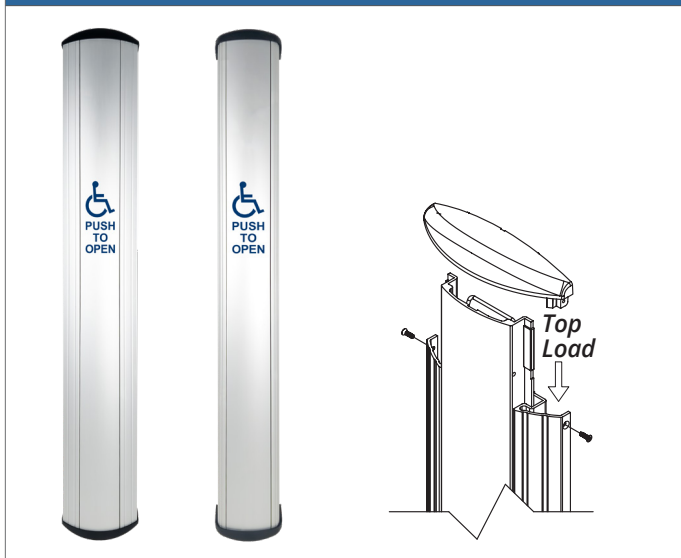




## Column™ Push Plate Switches

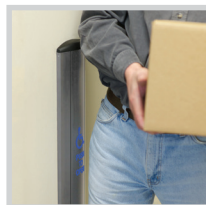
### TOP LOAD 4-1/2" WIDE - CM-74 SERIES 6" WIDE - CM-75 SERIES



Camden **CM-74 & CM-75 Series** 'Top Load' Column™ push plate switches are surface-mounted and designed for use when there is no obstruction above the installed unit, and a very low profile is desired.

#### Features

- OBC, NBC, & CSA compliant activation plate (Stainless Steel model not CSA compliant)
- Option for built-in touchless activation sensor
- Option for Kinetic™ or Lazerpoint™ wireless
- Surface mount with leveling screws (no back box)



### SIDE LOAD 4-1/2" WIDE - CM-84 SERIES 6" WIDE - CM-85 SERIES



Camden **CM-84 & CM-85 Series** 'Side Load' Column™ push plate switches feature a two-piece construction with a surface-mount back box and are designed for use when an obstruction above the installed unit prevents the installation of a 'Top Load' model; where the Column™ switch is mounted to narrow curtain wall, or where the Column™ switch will span a lite of glass.

#### Features

- 2-1/4" (57mm) deep with CSA compliant activation plate
- Heavy-duty extruded aluminum construction
- Option for built-in touchless activation sensor
- Option for Kinetic™ or Lazerpoint™ wireless
- Option for DPDT switches
- Surface mount with integral back box



## SPECIFICATIONS

VOLTAGE: **Standard Models:** N/A  
**VR Models:** 12-24 VDC +/- 10%

CONTACT RATING: **Standard Models:** 15 Amps @ 30 VDC  
**VR Models:** 1 Amp @ 30 VDC

CONTACT TYPE: **Standard Models:** SPDT Momentary, Form 'C'  
*Optional DPDT switch used with CM-84 & 85 series*  
**VR Models:** Common / N.O. / N.C.

## MODELS

### TOP LOAD - 4-1/2" WIDE

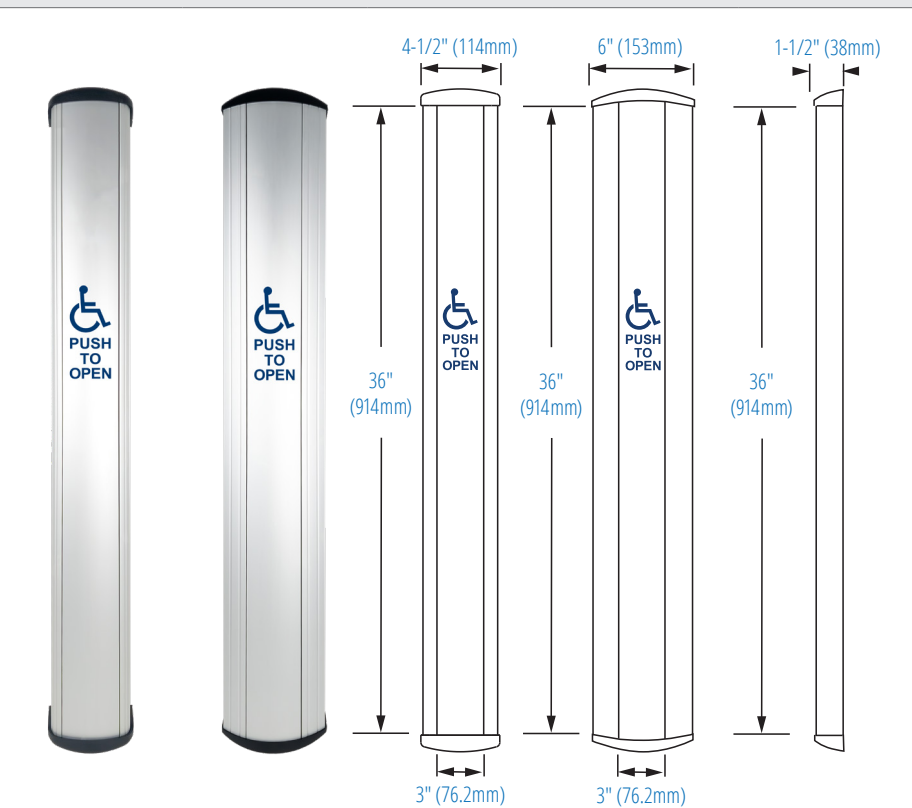
<b>CM-7436</b>	36" x 4-1/2" Column™ aluminum push plate switch, anodized clear finish
<b>CM-7436VR</b>	36" x 4-1/2" Column™ aluminum push plate switch with hands-free sensor, anodized clear finish
<b>CM-7436K</b>	36" x 4-1/2" Column™ aluminum push plate switch, anodized clear finish with built-in Kinetic no-battery wireless transmitters, receiver required

### TOP LOAD - 6" WIDE

<b>CM-7536</b>	36" x 6" Column™ aluminum push plate switch, anodized clear finish
<b>CM-7536VR</b>	36" x 6" Column™ aluminum push plate switch with hands-free sensor, anodized clear finish
<b>CM-7536K</b>	36" x 6" Column™ aluminum push plate switch, anodized clear finish with built-in Kinetic no-battery wireless transmitters, receiver required
<b>CM-7536SS</b>	36" x 6" Column™ stainless steel push plate switch, brushed stainless steel finish
<b>CM-7536SSK</b>	36" x 6" Column™ stainless steel push plate switch, brushed stainless steel finish with built-in Kinetic no-battery wireless transmitters, receiver required

## TOP LOAD COLUMN™ SWITCH DIMENSIONS & IMAGES

### ALUMINUM MODELS



### STAINLESS STEEL MODELS



<b>CM-7436/4</b>	<b>CM-7536/4</b>	<b>4-1/2" Top Load Dimensions</b>	<b>6" Top Load Dimensions</b>	<b>Top Load Side View Dimensions</b>	<b>CM-7536SS/4</b>	<b>CM-7536SS/4 Dimensions</b>
------------------	------------------	-----------------------------------	-------------------------------	--------------------------------------	--------------------	-------------------------------



MODELS	
<b>SIDE LOAD – 4-1/2" WIDE</b>	
<b>CM-8436</b>	36" x 4-1/2" Column™ aluminum side load push plate switch, anodized clear finish
<b>CM-8436VR</b>	36" x 4-1/2" Column™ aluminum side load push plate switch with hands-free sensor, anodized clear finish
<b>CM-8436K</b>	36" x 4-1/2" Column™ aluminum side load push plate switch, anodized clear finish with built-in Kinetic no-battery wireless transmitters, receiver required
<b>SIDE LOAD - 6" WIDE</b>	
<b>CM-8536</b>	36" x 6" Column™ aluminum side load push plate switch, anodized clear finish
<b>CM-8536VR</b>	36" x 6" Column™ aluminum side load push plate switch with hands-free sensor, anodized clear finish
<b>CM-8536K</b>	36" x 6" Column™ aluminum side load push plate switch, anodized clear finish with built-in Kinetic no-battery wireless transmitters, receiver required

### SIDE LOAD COLUMN™ SWITCH DIMENSIONS & IMAGES

CM-8436/4	CM-8536/4	4-1/2" Side Load Dimensions	6" Side Load Dimensions	Side Load Side View Dimensions

BATTERY POWERED WIRELESS TRANSMITTER	
<b>-TX</b>	(1) CM-TX-9 Lazerpoint™ wireless transmitter with alkaline battery pack, mounted in Column™ switch cap
<b>-TXL2</b>	(1) CM-TX-9 Lazerpoint™ wireless transmitter with lithium battery pack, mounted in Column™ switch cap

WIRELESS RECEIVERS (Order separately)	
<b>CM-RX-90</b>	Kinetic by Camden™ and Lazerpoint™ compatible receiver
<b>CM-RX-91</b>	Lazerpoint™ compatible single relay receiver
<b>CM-RX-92</b>	Lazerpoint™ compatible dual relay receiver

ARCHITECTURAL FINISHES	
<b>-BRZ</b>	Add suffix 'BRZ' for anodized dark bronze finish (BHMA 710, 313AN)
<b>-BLK</b>	Add suffix 'BLK' anodized black finish (BHMA 711)

WATERPROOFING OPTION	
<b>-WT</b>	Add '-WT' to Product # for Boot & Water Tight Coating
CONTACT SWITCH OPTION (CM-84 & 85 Series Only)	
<b>-DP</b>	Add '-DP' to Product # for 2 x DPDT switches



## FACEPLATE GRAPHIC OPTIONS (Add suffix to model number, Add suffix 'F' for French, 'FE' for bilingual, 'SP' for Spanish)



CM-xx/1



CM-xx/2



CM-xx/A2



CM-xx/3



CM-xx/4



CM-xx/A4



CM-xx/2AR



CM-xx/2AL



CM-xx/4AL



CM-xx/20



CM-xx/20AL



CM-xx/20AR



CM-xx/40



CM-xx/80



CM-xx/A20



CM-xx/A40



CM-xx/4AR



CM-xx/8C



CM-xx/8B



CM-xx/20



CM-xx/20AL



CM-xx/20AR



CM-xx/40



CM-xx/80



CM-xx/A20



CM-xx/A40

NOTE: VR Models Include SureWave™ Waving Hand Icon

## SURFACE MOUNTING BOXES FOR CM-75 SERIES

**CM-75SB** Surface Mount, Powder Coated Electrical Gray, 16-Gauge Steel

**CM-75SB-BK** Surface Mount, Powder Coated Black, 16-Gauge Steel

## RETROFIT BACK BOX KITS FOR COLUMN™ SWITCHES

**CM-85BB** 6" aluminum surface box complete with deep caps and hardware for converting CM-7536 V2 to CM-8536

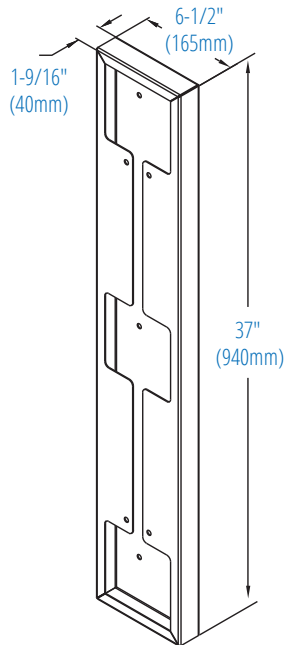
**CM-84BB** 4.5" aluminum surface box complete with deep caps and hardware for converting CM-7436 V2 to CM-8436

NOTE: Not suitable for original style Column™ switches or stainless steel Column™ switches. Back box kits also available in bronze or black architectural finishes.

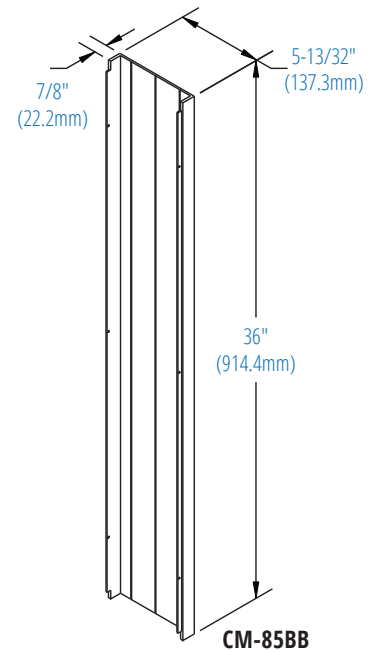
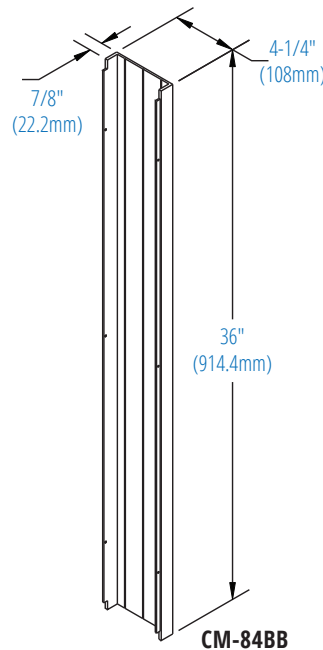
## SURFACE BOX DIMENSIONS

CM-75SB

CM-75SB-BK



## RETROFIT BACK BOX DIMENSIONS



Opening New Doors to Innovation, Quality, and Support!

2395 Skymark Ave, Mississauga, ON Canada L4W 4Y6 • Toll Free: 1(877) 226-3369 (CAMDEN9)  
Tel: (905) 366-3377 | Fax: (905) 366-3378 | E-mail: info@camdencontrols.com | www.camdencontrols.com



Part #: MKTG-LIT-SP-COLUMNNSW

Rev1