

CV-800SES/CV-800EV Serial to Wiegand Converter

Installation Instructions

Section 1:

General Description

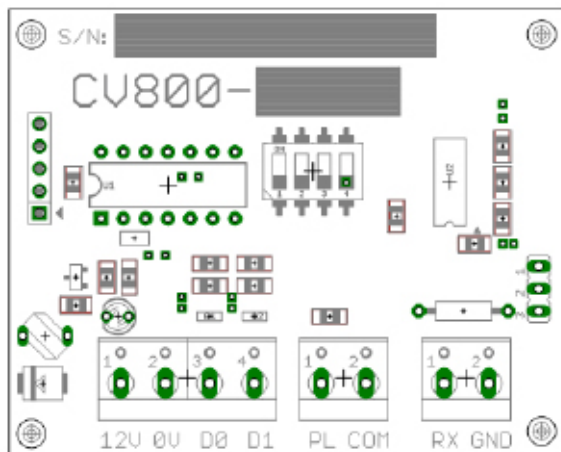
The CV-800SES/CV-800EV is a Serial to Wiegand Converter for the SES TEC/CAT & Viscount Elektra Telephone Entry Systems.

It captures the Dial code a visitor enters into the lobby Panel, Converts it to 26bit Wiegand Format, then sends it to an

Access Control System when the Resident Grants the visitor Access.

The CV-800SES/CV-800EV also has provision for the postal Lock Switch. When the normally open postal Lock switch is activated, the CV800 will send "9999" in 26bit Wiegand format to the Access Control system.

Note: THE CV-800SES/CV-800EV Requires that the SES CAT/TEC and the Viscount Elektra telephone entry systems have the OPTKSERIAL Serial Port adapter installed (available as an option from your SES & Viscount Distributors)



The following must be programmed in the SES or Viscount telephone entry panels.

- a) The Baud rate must be set to 9600 (default)
- b) Communications parameters must be set to 8bits, stopbit, no parity (8,N,1)(default)
- c) Dial Codes must not have a value greater than 65535.

Section 2:

Installation

To Install the CV-800SES/CV-800EV

- 1) Connect the **Rx** terminal of the **CV800** to the TX terminal of the **OPTKSERIAL Serial Port adapter**.

Connect the **Gnd** terminal of the **CV800** to the COM terminal of the **OPTKSERIAL Serial Port adapter**.

- 2) Connect the **12V** terminal of the **CV800** to the Access Control Reader **+12V Input**.

Connect the **0V** terminal of the **CV800** to the Access Control Reader **0V Input**.

Connect the **D1** terminal of the **CV800** to the Access Control Reader **D1 Input**.

Connect the **D0** terminal of the **CV800** to the Access Control Reader **D0 Input**.

Program the Access Control System with the Dial Codes

Section 3:

Output Format	26 bit Wiegand
Facility Code	0 (zero)
Power Supply	9 to 14VDC (Linear Power Supply Recommended)
Maximum Current Requirements	Average 7ma, Peak 10ma.
Cable Distance	300 Feet (90 Metres) (Reader Input)
Warranty	3 Year Warranty against defects in Materials and Workmanship



Push Buttons



Keypads



Strikes



Magnetic Locks



Key Switches



Relays & Timers



Access Control