

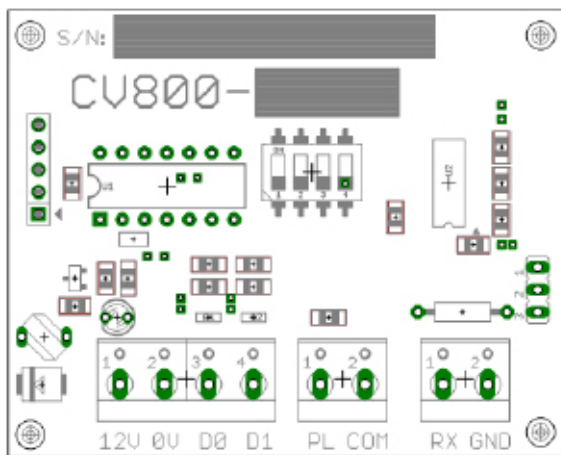
# CV-800SEN Serial to Wiegand Converter Installation Instructions

## Section 1:

### General Description

The CV-800SEN is a Serial to Wiegand Converter for the Sentex Infinity Series Telephone Entry Systems. It captures the Dial code a visitor enters into the lobby Panel, Converts it to 26bit Wiegand Format, then sends it to an Access Control System when the Resident Grants the visitor Access.

The CV800SEN also has provision for the postal Lock Switch. When the normally open postal Lock switch is activated, the CV800 will send "9999" in 26bit Wiegand format to the Access Control system.



The following must be programmed in the Sentex Infinity Series Entry Panels (refer to Sentex Manual).

- The Baud rate must be set to 4800 (default)
- Communications parameters must be set to 8bits, 1stopbit, no parity (8,N,1)(default)
- Dial Codes must be set to 4 Digits. (factor default is 3. must be changed).
- Entry Codes (PIN Codes) must be set to 4 Digits (default).
- Enable the Printer option (Program Code #81) on all Lobby Panels
- Make sure Program code #83 is set to BOTH, on all lobby Panels.

## Section 2:

### Installation

#### To Install the CV-800SEN

- Connect the **RX** terminal of the **CV800** to the **OUT terminal on TB3**.
- Connect the **Gnd** terminal of the **CV800** to the **Gnd terminal on TB3**.
- Connect the **12V** terminal of the CV800 to the Access Control Reader **+12V Input**.
- Connect the **0V** terminal of the **CV800** to the Access Control Reader **0V Input**.
- Connect the **D1** terminal of the **CV800** to the Access Control Reader **D1 Input**.
- Connect the **D0** terminal of the **CV800** to the Access Control Reader **D0 Input**.
- Set the Dip Switch on the **CV800** Module to the Address of the Lobby Panel (see table below)
- Program the Access Control System with the Dial Codes as card Numbers.

#### Dip Switch Settings

Address	1	2	3	4
1	OFF	OFF	OFF	OFF
2	ON	OFF	OFF	OFF
3	OFF	ON	OFF	OFF
4	ON	ON	OFF	OFF
5	OFF	OFF	ON	OFF
6	ON	OFF	ON	OFF
7	OFF	ON	ON	OFF
8	ON	ON	ON	OFF
9	OFF	OFF	OFF	ON
10	ON	OFF	OFF	ON
11	OFF	ON	OFF	ON
12	ON	ON	OFF	ON
13	OFF	OFF	ON	ON
14	ON	OFF	ON	ON
15	OFF	ON	ON	ON
16	ON	ON	ON	ON

*Note: When two or more Lobby panels are installed on a Project, the address of each lobby Panel is automatically set by the Sentex Firmware. (Address is = to wired position of the panel in the multi link loop. (see Sentex manual)*

If Multiple CV800 –SEN's are used. They connect to Port 2 of the last Sentex Lobby Panel in the Multi.

Link Loop. The CV800 –SEN Modules Serial connections can be paralalled (see Drawing).

## Section 3: Specifications

<b>Output Format</b>	26 bit Wiegand
<b>Facility Code</b>	0 (zero)
<b>Power Supply</b>	9 to 14VDC (Linear Power Supply Recommended)
<b>Maximun Current Requirements</b>	Average 7ma, Peak 10ma.
<b>Cable Distance</b>	300 Feet (90 Metres) (Reader Input )
<b>Warranty</b>	3 Year Warranty against defects in Materials and Workmanship



Push Buttons



Keypads



Strikes



Magnetic Locks



Key Switches



Relays & Timers



Access Control



5502 Timberlea Blvd.,  
Mississauga, ON Canada  
L4W 2T7

www.camdencontrols.com  
Toll Free: 1.877.226.3369

File: CV-800SEN Installation Instructions R2.innd  
Revision: 29/01/2015  
Part No.: 40-82B102