

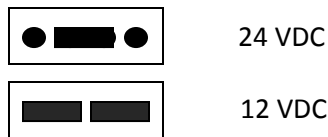
Features

Holding Force: 2600 Lbs
 Power Consumption: 430 mA @ 12 VDC
 215 mA @ 24 VDC

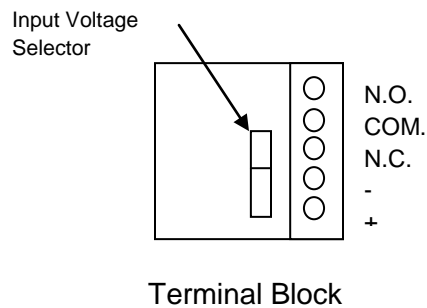
Dimensions

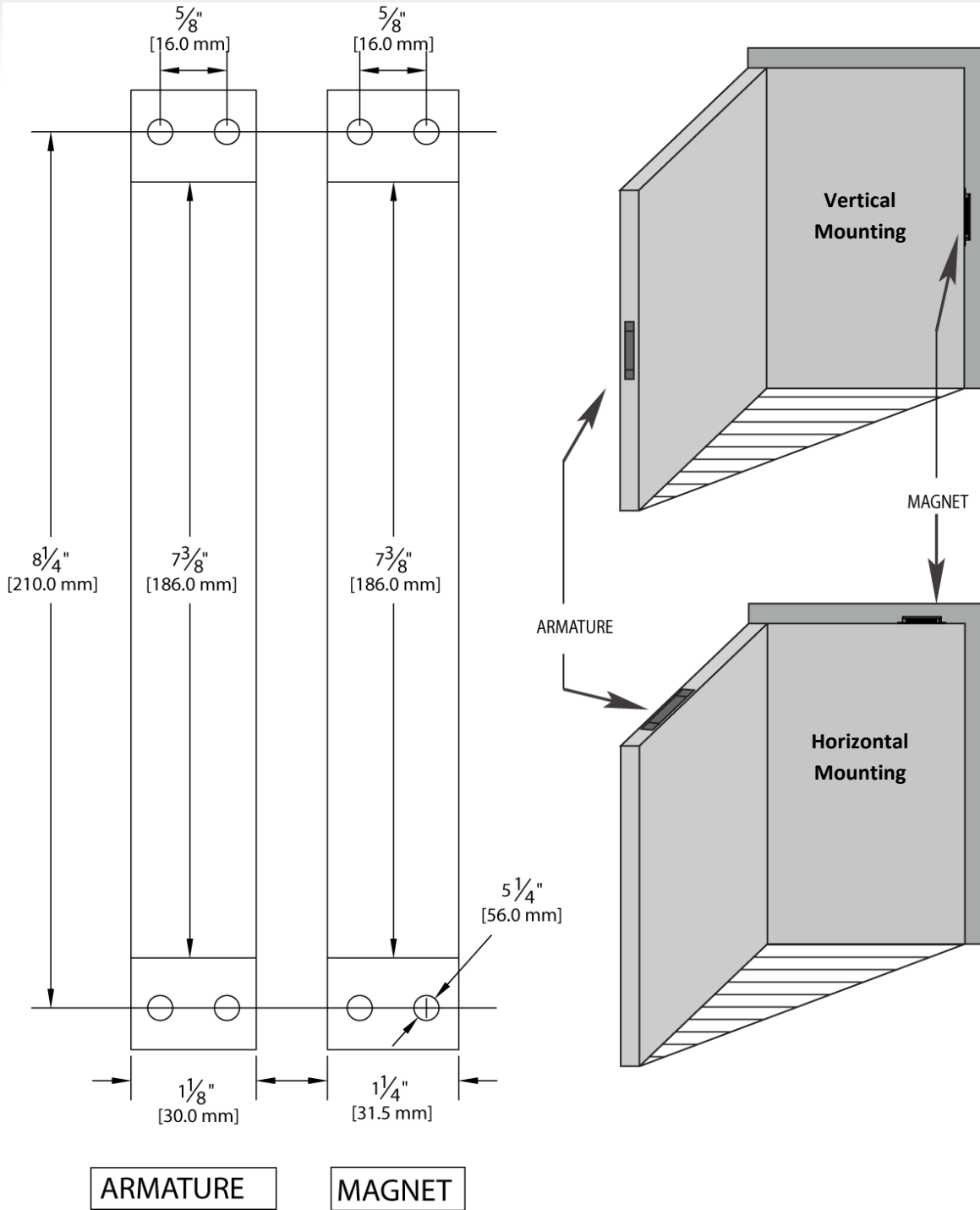
Magnet: 9" (230 mm) x 1 1/4" (31.5 mm) x 1 1/16" (27 mm)
 Armature: 9" (230 mm) x 1 1/8" (30 mm) x 1 7/16" (37 mm)

Wiring



Set the jumpers as shown for the appropriate voltage.





Push Buttons



Key Pads



Strikes



Magnetic Locks



Key Switches



Relays & Timers



Access Control



CCTV

ARMATURE

MAGNET

