

# CX-DA800/DA800W

## Battery Powered Exit Alarm

### INSTALLATION INSTRUCTIONS

#### THIS PACKAGE INCLUDES:

- 1 - Door Exit Alarm
- 1 - Magnetic Door Contact
- 1 - Magnetic Contact Bracket
- 2 - #14 x 1" PPH Type AB Self-Drilling Screws
- 2 - 1/4 - 20 x 1" PPH Machine Screws
- 2 - #6 x 1-1/4" PPH Type AB Self-Drilling Screws
- 2 - 1/4" x 1 3/16" Anchor Plugs
- 1 - Cover Key Lock with 2 keys
- 4 - Cylinder Cam Holders
- 1 - Cylinder Fixing Frame
- 1 - Fixing Frame Bracket
- 1 - M4 x 8mm Screw
- 1 - Cylinder Ring Tool
- 1 - Cylinder O-ring (W Version only)
- 1 - Door Exit Alarm Signage
- 1 - 9VDC Battery



#### 1. GENERAL DESCRIPTION

Camden CX-DA800/DA800W is a battery-powered door exit alarm device mounted on a secured door that activates when the door opens. The door alarm and magnetic door contact mount easily onto the door and frame. The alarm triggers instantly with integrated LED and buzzer notifications. It can be silenced automatically or manually with a key. The DA800W is designed for outdoor use.

#### 2. DIMENSIONS

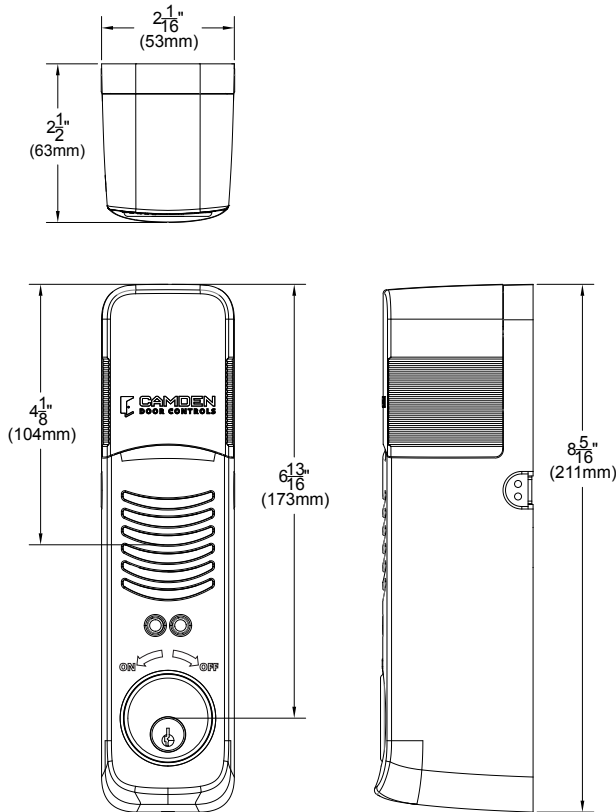
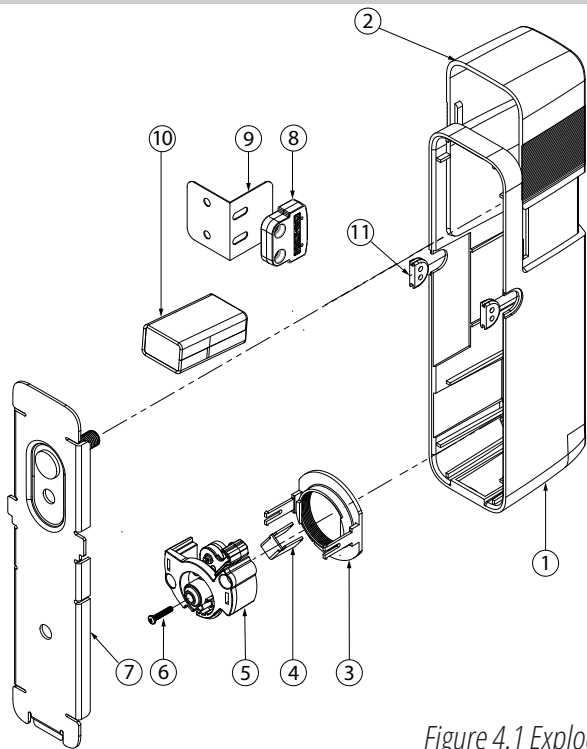


Figure 3.1 Dimensions

#### 3. SPECIFICATIONS

Power Requirements	9VDC Battery
Alarm Triggering	Built-in door contact NC External door contact input
Security Features	Enhanced with LED and buzzer for alerts
Arming Modes	1. Standard 2. Always
Operation Modes	Manual Silence Mode Auto Reset Mode
Dimensions	8-5/16" H x 2-1/16" W x 2-1/2" D (211mm x 53mm x 63mm)
Alarm Sounder	105 dB @ 3' (1m)
Operating Temperature	32° F to 113° F (0° C to 45° C)
IP Rating	IP44 (DA800W)
Impact Protection	IK04

**4. EXPLODED VIEW AND PART DESCRIPTION**



Item	Parts description	Material and specification	QTY
1	Cover	H23626C1	1
2		PC-1302-10	1
3	Cylinder Fixing Frame	POM Plastic	1
4	Fixing Frame Bracket	POM Plastic	1
5	Cam Assembly Kit	POM Plastic	1
6	Screw	M4 x 8mm	1
7	Backplate	SPCC Nickel plated	1
8	Magnetic Door Contact		1
9	Door Contact Bracket		1
10	9V Battery	Nil	1
11	Wire Grommet	Rubber	2

Figure 4.1 Exploded View

**5. CYLINDER OPTIONS**

The CX-DA800/DA800W alarm can be configured to work with mortise cylinders between 15/16" to 1-1/4" lengths with different cams. Cam holders can be identified with the embossed letter markings.

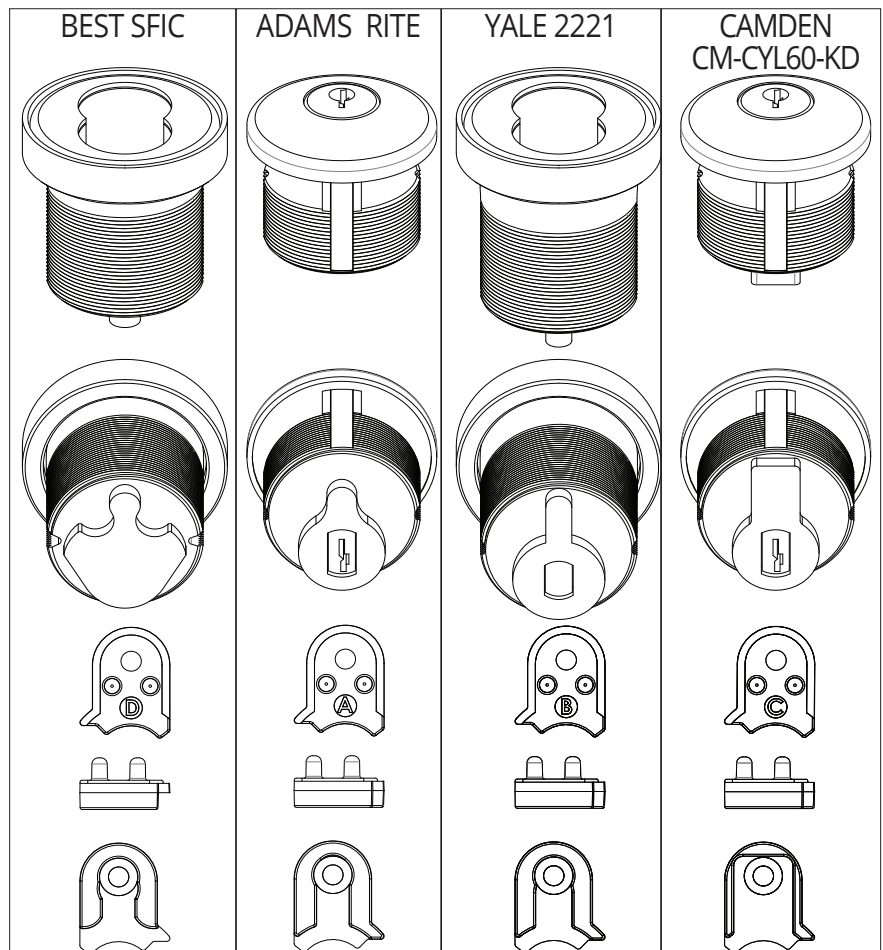
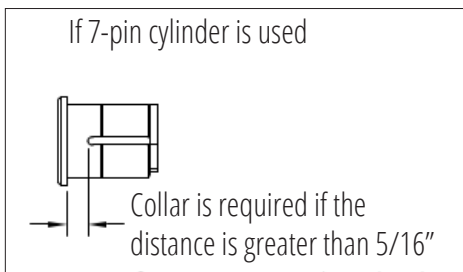


Figure 5.1 Four different types of lock cylinders and matching Cam Holders with letter marking identifier

## 6. CYLINDER INSTALLATION

The CX-DA800/DA800W is shipped with Cam Assembly Kits for both STANDARD Arming Mode and ALWAYS Arming Mode.

It is shipped in STANDARD Arming Mode by default if ordered with the Lock Cylinder and Cam Assembly pre-installed. (See Figure 6b)

It can be configured with the Lock Cylinder in ALWAYS Arming Mode. (See Figure 6c)

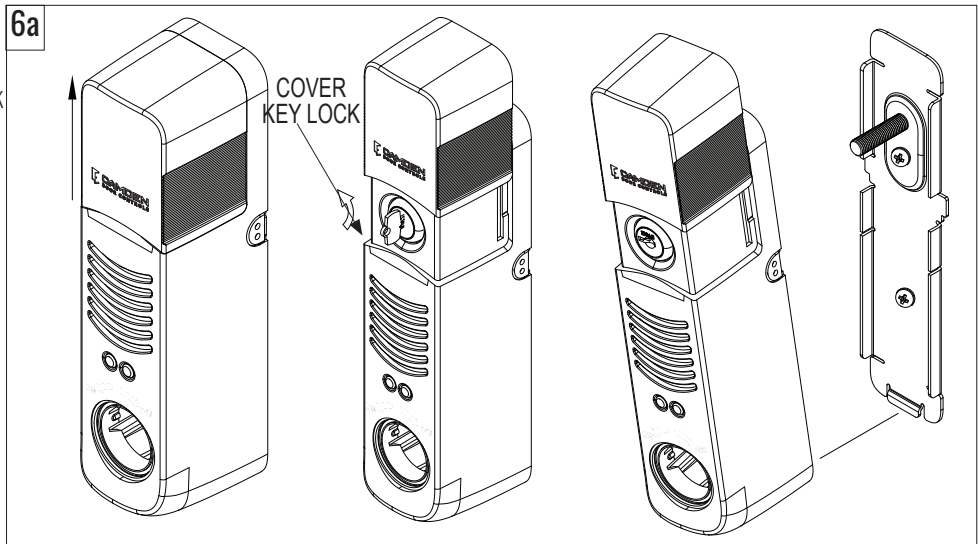
Refer to the table for the list of Camden Lock Cylinders available.

If the CX-DA800/DA800W does not have a lock cylinder pre-installed, follow the lock cylinder installation steps below.

Part Number	Description
CX-DA800KD	Battery Powered Door Alarm Grey with Cylinder Keyed Different
CX-DA800WKD	Battery Powered Door Alarm Weatherized Grey with Cylinder Keyed Different
CX-DA800KD-BK	Battery Powered Door Alarm Black with Cylinder Keyed Different
CX-DA800WKD-BK	Battery Powered Door Alarm Weatherized Black with Cylinder Keyed Different

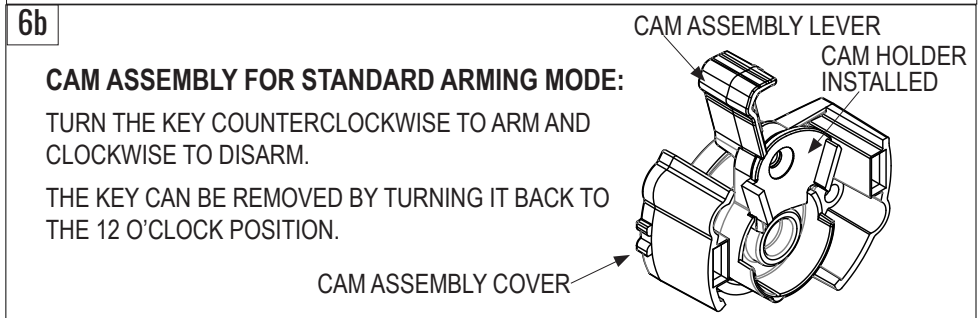
### 6.1. Open the Alarm

- Slide up the cover case and insert the provided key into the cover key lock.
- Turn the key counterclockwise to detach the door alarm from its mounting backplate. (See Figure 6a)



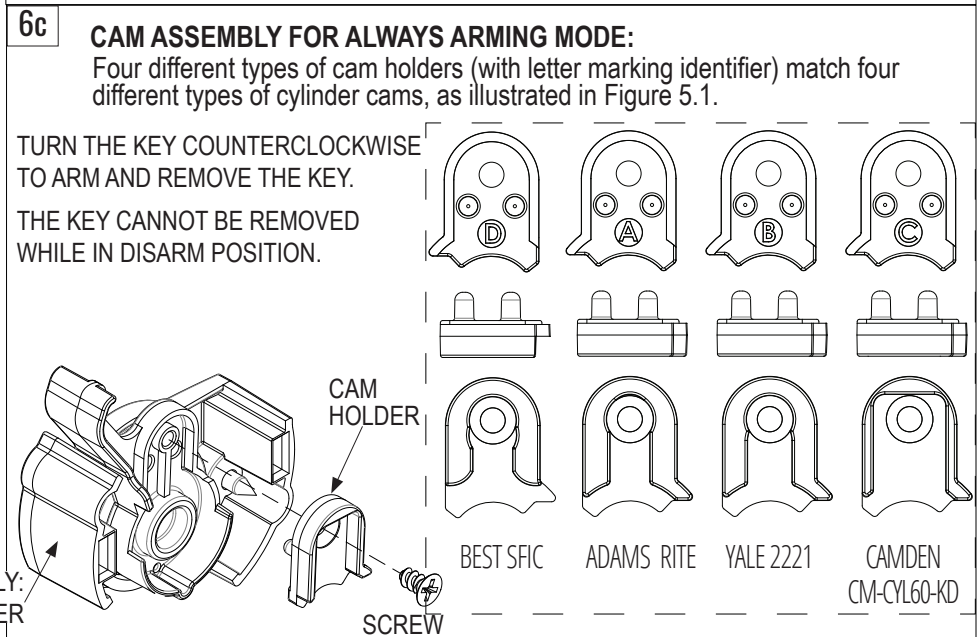
### 6.2. Select the Lock Cylinder

- Select the **Mortise Lock Cylinder** to install. Refer to the list of compatible cylinders as shown in Figure 5.1.



### 6.3. Install the Cam Holder

- Choose a suitable cam holder based on the selected lock cylinder:  
 STANDARD ARMING MODE (Figure 6b)  
 ALWAYS ARMING MODE (Figure 6c)
  - If installing the Cam Assembly for STANDARD ARMING MODE, proceed to Step 6.4. (Figure 6b)
  - If installing the Cam Assembly for ALWAYS ARMING MODE, unscrew the tiny screw on the existing cam holder, remove it, and install the new cam holder. (Figure 6c)

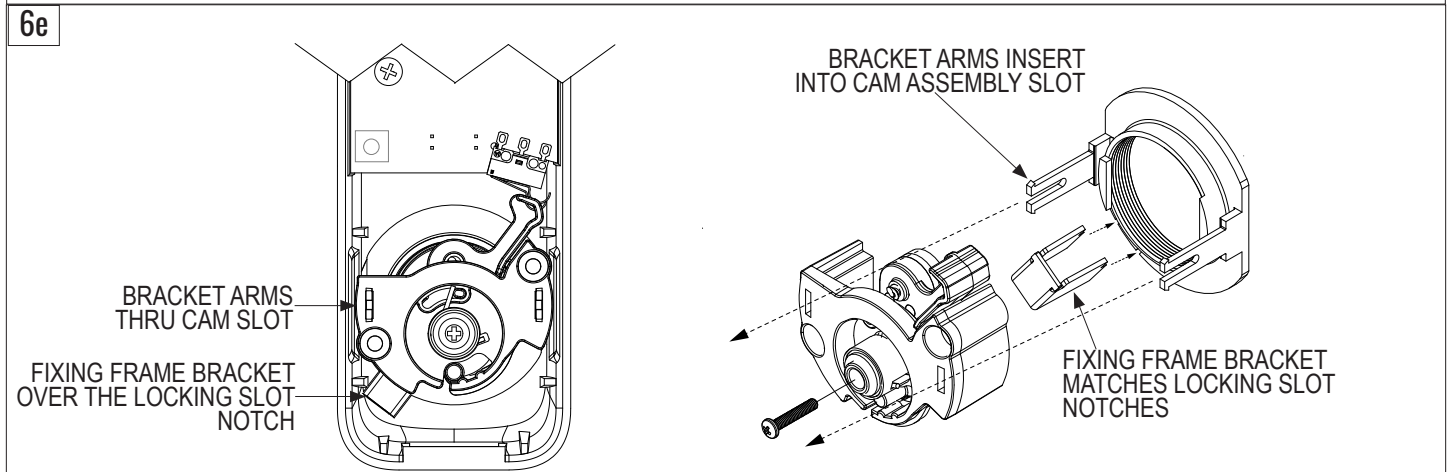
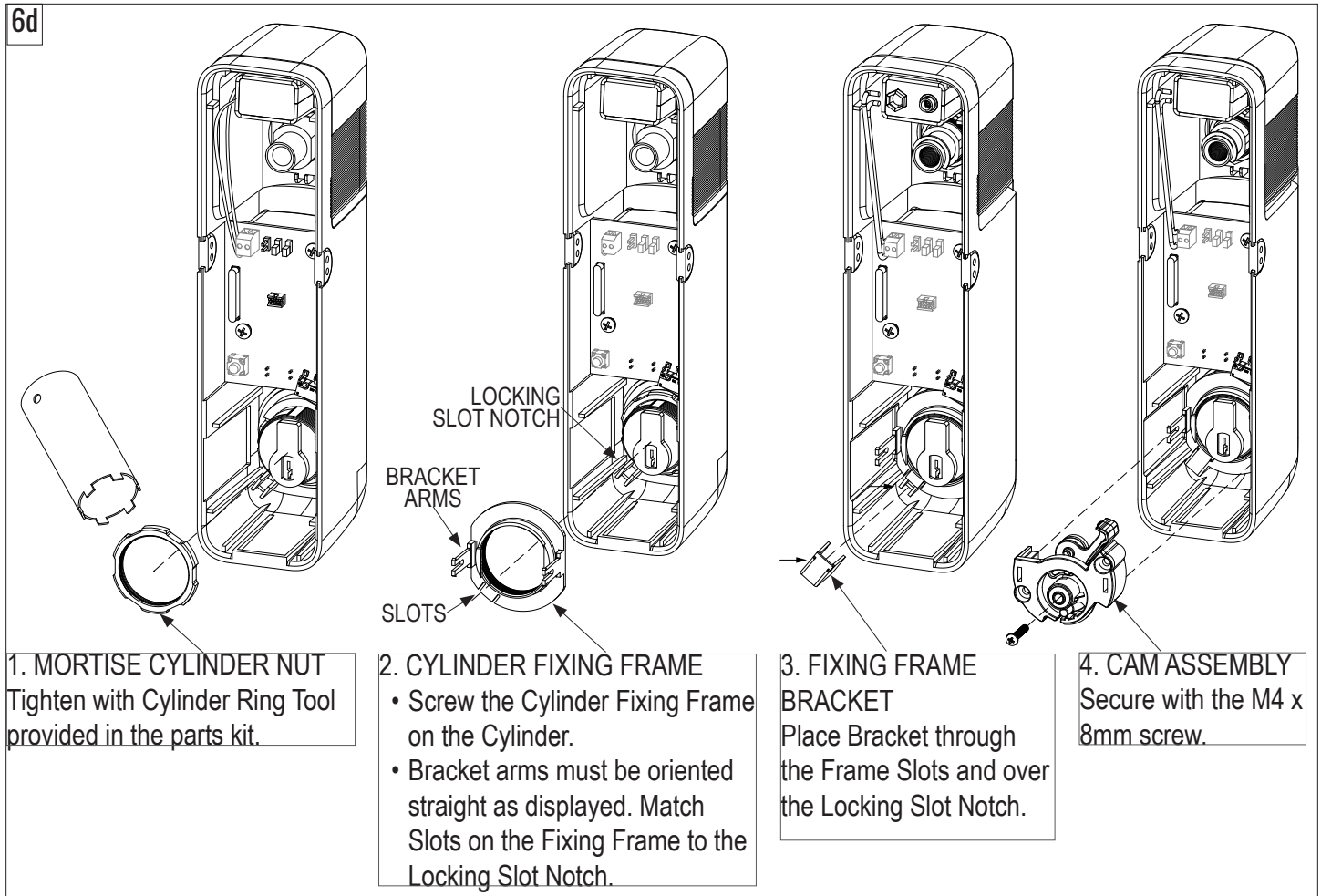


### 6.4. Secure the Lock Cylinder

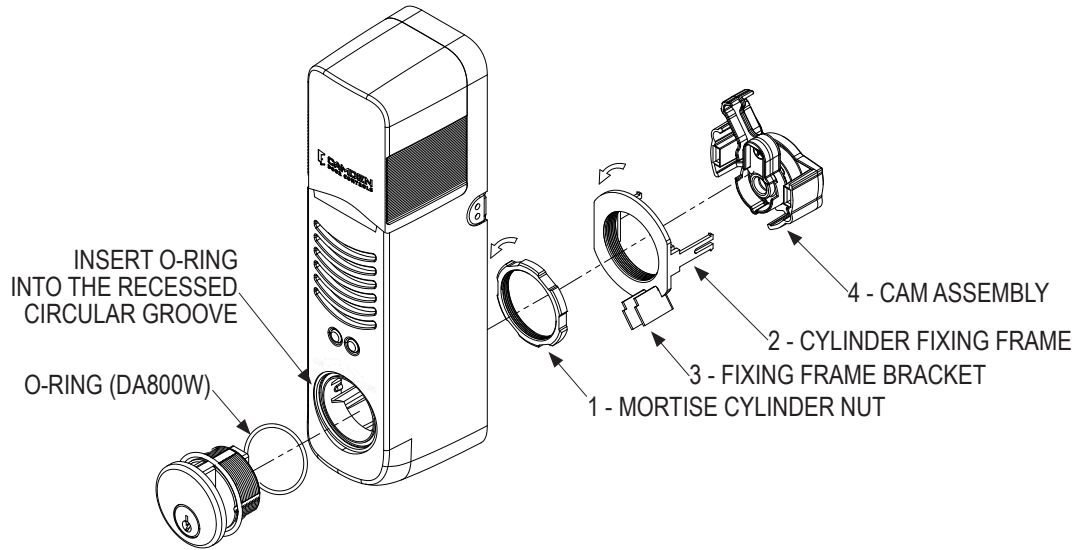
- Insert the lock cylinder through its designated hole and secure it with the Mortise Cylinder Nut from the rear.
- Tighten the Mortise Cylinder Nut using the Cylinder Ring Tool (provided in the parts kit).
- For DA800W, insert the O-ring into the recessed circular groove on the designated hole and then insert the lock cylinder. (See Figure 6f)

### 6.5. Assemble the Lock Cylinder Components

Install the following components: **1. MORTISE CYLINDER NUT**, **2. CYLINDER FIXING FRAME**, **3. FIXING FRAME BRACKET**, **4. CAM ASSEMBLY**. Follow the sequence shown in Figures 6 (d, e, f).



6f



**7. CONFIGURATION/SETTINGS**

The CX-DA800/DA800W Door Exit Alarm features precise key positions for operational control settings: (See Figures 7a and 7b)

**“OFF” Position:** Turn the key to the 2 o’clock position to disarm the system. The key can be removed in this “OFF” position in **STANDARD** Arming Mode. The key cannot be removed in this “OFF” position in **ALWAYS** Arming Mode.  
**“ON” Position:** Turn the key to the 12 o’clock position to arm the system. The key can be removed in this “ON” position while alarm remains armed in both **STANDARD** and **ALWAYS** Arming Modes.

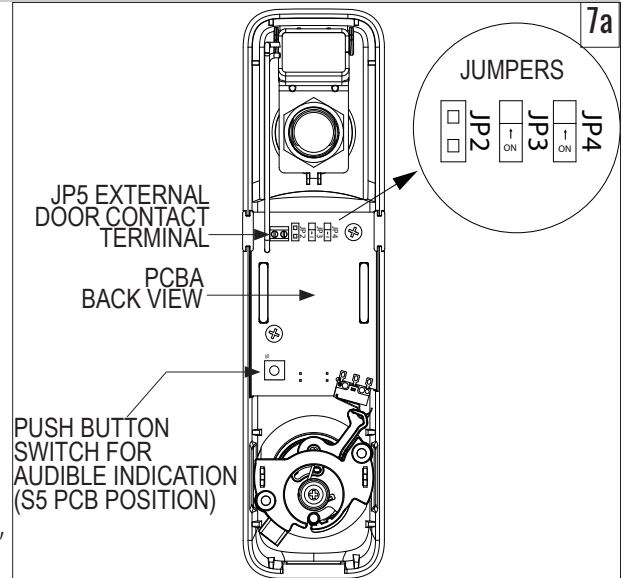
**JP3 and JP4 Status Indicators**

Use the JP3 and JP4 jumpers to configure the alarm’s response, affecting how the armed status and alarm functions are indicated and silenced.  
**JP3 ON (Armed):** RED LED flashes twice every 3 seconds. In “Disarmed” mode, GREEN LED flashes twice every 5 seconds.  
**JP3 OFF (Armed):** NO LED indication for “Armed” or “Disarmed” status after arming or disarming.  
**JP4 ON:** Alarm automatically silences 2 minutes after activation.  
**JP4 OFF:** Alarm must be manually silenced by turning the key to the “OFF” position.

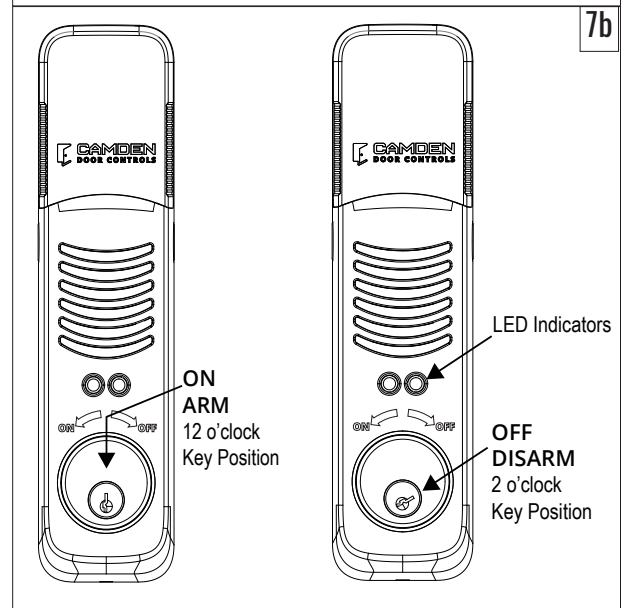
**Manual Silence Mode: JP3 ON and JP4 OFF**

1. Set the LED status indication for Manual Silence Mode, set JP3 to ON and JP4 to OFF.
2. Close the door contact and turn the key to the “OFF” (2 o’clock) position.
3. Turn the key to the “ON” (12 o’clock) position.
  - RED LED flashes twice followed by GREEN LED flashing for 15 seconds, the alarm sounds three short times, and RED LED flashes three times, indicating the alarm is armed and RED LED flashing every 3 seconds.
  - Opening the door activates the alarm sounder. Closing the door does not silence the alarm; turn the key to “OFF” to silence.

7a



7b



## **CX-DA800/DA800W BATTERY POWERED EXIT ALARM**

### **INSTALLATION INSTRUCTIONS**

4. If the key is turned to "OFF" after arming, to bypass or silence the alarm, the GREEN LED will flash twice every 5 seconds.

### **Auto Reset Mode: JP3 ON and JP4 ON**

1. Set the LED status indication for Auto Reset Mode, set JP3 to ON and JP4 to ON.
2. Close the door contact and turn the key to the "OFF" (2 o'clock) position.
3. Turn the key to the "ON" (12 o'clock) position to arm.
  - RED LED flashes twice, followed by the GREEN LED flashing for 15 seconds, the alarm sounds three short times, and the RED LED flashes three times, indicating that the alarm is armed and RED LED flashing every 3 seconds.
  - Opening the door activates the alarm sounder, which will AUTO-RESET after 2 minutes after the door is closed.
  - Closing the door will not reset the alarm before the 2-minute auto reset time expires.
4. If the key is turned to the "OFF" position after arming, to bypass or silence the alarm prior to the end of the auto reset time, the GREEN LED will flash twice every 5 seconds.

### **Arming the CX-DA800**

1. Open the door, turn the key to the "OFF" position then "ON" position.
2. Close the door. The RED LED flashes twice immediately, then the GREEN LED for 15 seconds, and then the RED LED thrice. RED LED continues flashing every 3 seconds indicating the alarm is armed.

### **Audible Indication Setting**

1. Disconnect the battery.
2. With the key in the "ON" position, press and hold the S5 button while reconnecting the battery.
3. Release the S5 button after the beep. A single short beep enables, while a long beep disables the audible indication.

### **Changing the Handing of the Door Contact**

To alter the active side of the door contact:

1. Place the magnet over the desired contact side and remove it.
2. Turn the key to the "OFF" position and short the JP2 pins briefly to clear memory. (both LEDs flash five times and device beeps five times).
3. Reattach the magnet to the selected side or connect an external door contact to the JP5 connector. (See Figure 7a)

### **Low Battery Alert**

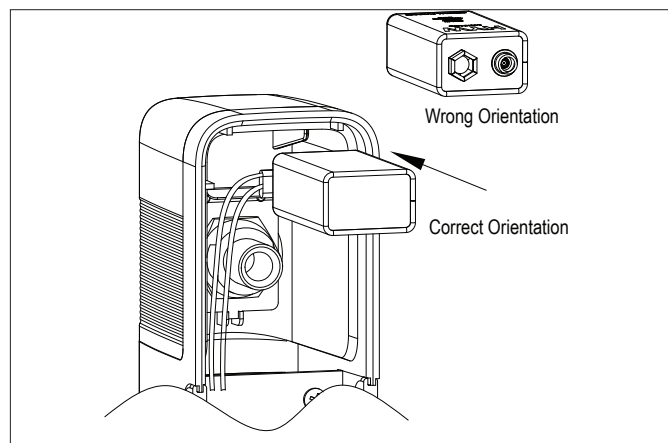
The CX-DA800/DA800W is equipped with a low battery monitoring feature:

When the battery voltage falls below 7V DC, the system emits a short beep every 45 seconds, indicating the need for battery replacement.

## **8. POWER**

### **Install the Battery:**

Connect the 9V battery to the battery buckle and insert it into the top slot, ensuring the correct orientation as illustrated in Figure 8.1.



*Figure 8.1 Battery Orientation*

**9. MOUNTING INSTALLATION**

**Magnetic Door Contact Location**

**Guide:** For optimum contact, the Magnet must align with the Door Alarm correctly, and the maximum space between the Magnet and the side of the Door Alarm is 1/2" (12.7mm). See Figure 9 (a - d) for location and centering guide.

**Note:** INSWING/OUTSWING Doors

- The Magnet is attached to the Magnetic Contact Bracket to mount on an INSWING Door Frame. (See Figure 9a)
- The Magnetic Door Contact can mount directly on an OUTSWING Door Frame without the Magnetic Contact Bracket. (See Figure 9b)

**9.1. Mounting the Alarm and**

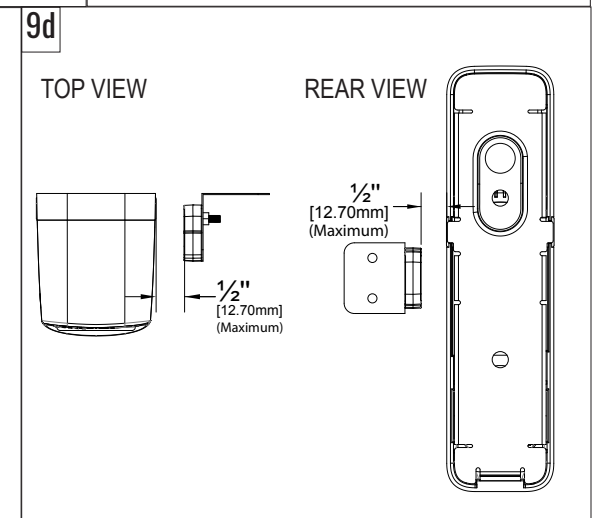
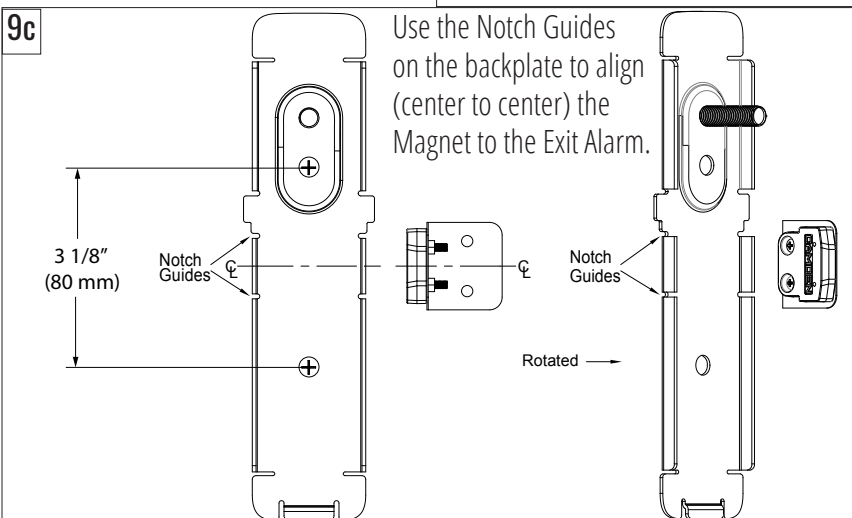
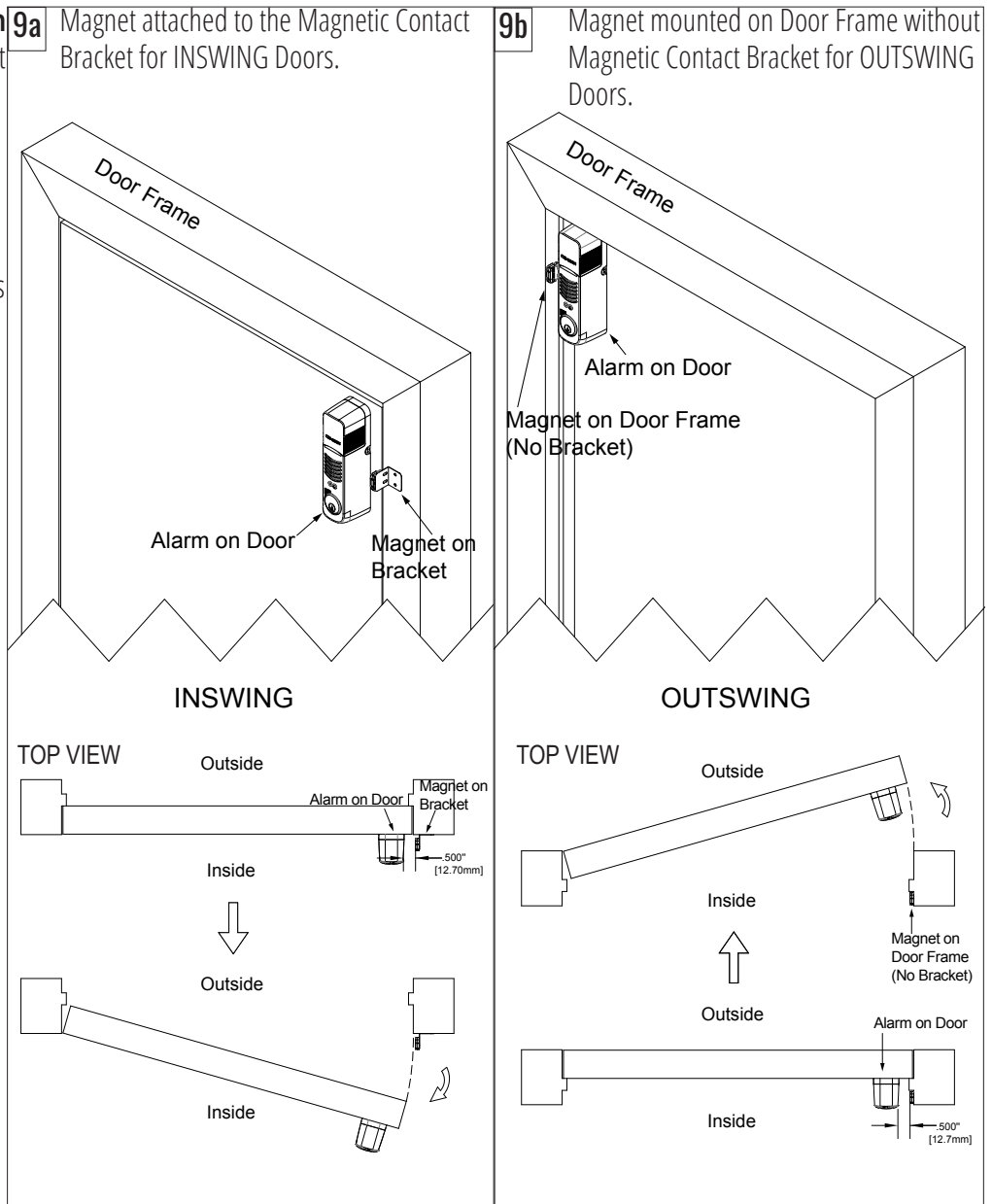
**Magnetic Door Contact:** Place the backplate near the door edge and magnet on the frame, and mark the locations for the magnet and backplate.

**9.2. Drilling for Backplate Mounting:**

Drill holes using a #7 (0.201" or 13/64") drill bit for 1/4-20 x 1" machine screws, or a 0.218" (7/32") bit for #14 sheet metal screws, following the positions indicated in the figures.

**9.3. Drilling for Magnet Mounting:**

Use a #32 (0.116" or 7/64") drill bit.



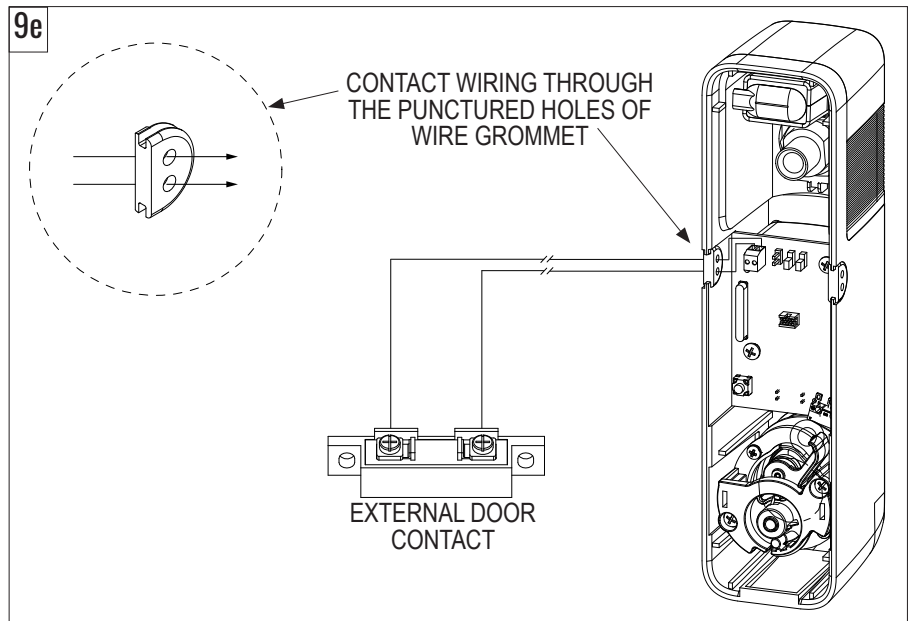
# CX-DA800/DA800W BATTERY POWERED EXIT ALARM

## INSTALLATION INSTRUCTIONS

### External Door Contact Connection:

You can connect the wiring from an external door contact to the JP5 Terminal Block on the PCB. (See Figure 9e)

- Remove the Wire Grommet on the side where you will insert the external door contact wiring.
- Use a scribe or punch to puncture the two recessed holes on the Wire Grommet to create the wiring through holes.
- Place the Wire Grommet back on the Alarm.
- Insert the two wires through the Wire Grommet and connect them into the JP5 Terminal Block on the PCBA.

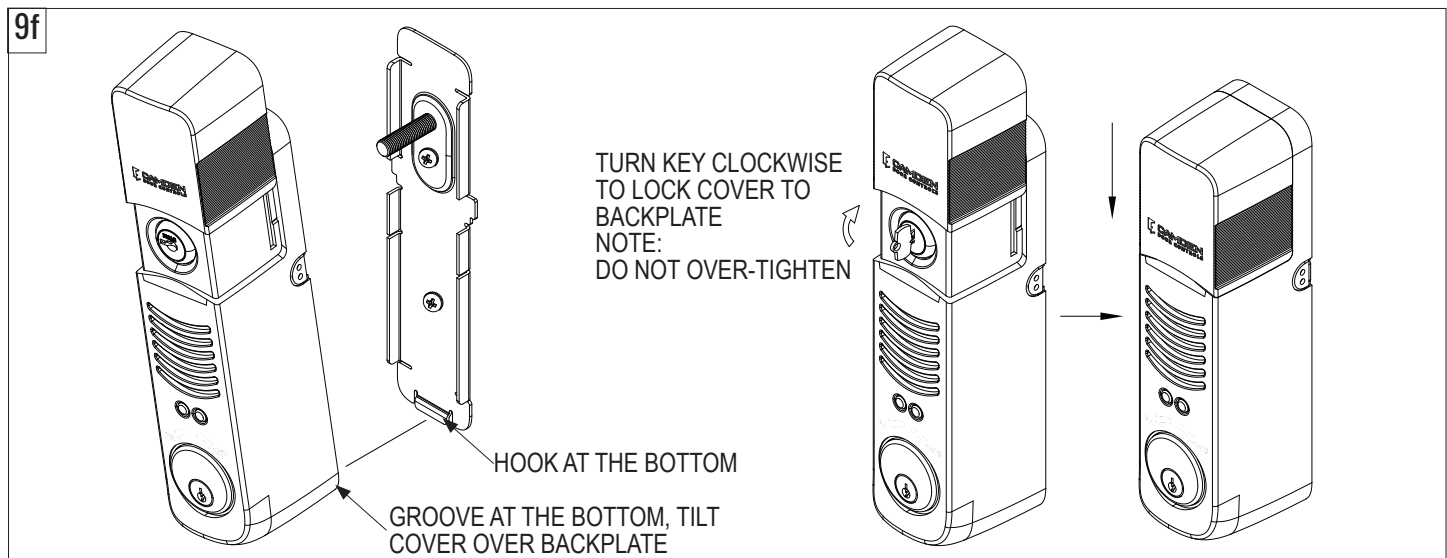


### 9.4. Final Assembly

- Attach the alarm cover to the mounted backplate latching the bottom hook on the backplate to the bottom groove of the cover.
- Insert and turn the key clockwise to secure the door alarm to the mounted backplate. (See Figure 9f)

### 9.5. Door Signage

- The signage **EMERGENCY EXIT ONLY ALARM WILL SOUND** is provided for the Door where the Exit Alarm is installed.



**FAQ**

**Q 1. How can I switch between different alarm modes?**

**A 1.** Use the JP3 and JP4 settings to configure how the alarm arms/disarms and either auto-resets or requires manual intervention to silence.

**Q 2. Can the alarm be used outdoors?**

**A 2.** The CX-DA800W alarm has an IP Rating of IP-44, making it suitable for outdoor use. It can handle water splashes and dust but is not waterproof. Its operating temperature range is 32° F to 113° F (0° C to 45° C).

**Q 3. How do I ensure the alarm is armed correctly?**

**A 3.** When armed, the RED LED will blink twice, followed by the GREEN LED blinking for 15 seconds. Subsequently, the RED LED will flash every 3 seconds. Make sure the door contact is properly closed.

**Q 4. What to do if the alarm does not arm or disarm using the key?**

**A 4.** Check if the cylinder and cam holder are properly installed and that the key is turning completely. Also, ensure that the alarm is correctly mounted and that no parts are obstructing the key mechanism.

**TROUBLESHOOTING**

<b>Problem</b>	<b>Possible Cause</b>	<b>Solution</b>
Alarm does not activate upon door opening.	Battery not installed or low power.	Ensure a fresh 9V battery is properly installed. Check battery voltage if necessary.
	Door contact not properly aligned.	Adjust to align the placement of the door magnet and contact.
Alarm sounds continuously.	JP4 jumper was set to manual silence mode (OFF).	Turn the key to the "OFF" position to silence the alarm manually.
	Misalignment of door contact.	Realign and secure the door contact and magnet placement.
LED indicators not functioning.	LED functionality disabled via JP3 setting.	Set JP3 to ON to enable LED indicators for armed/disarmed status.
	Circuit issue or LED malfunction.	Check connections on the PCBA for damage or loose connections. Replace if necessary.
Alarm auto-silences too quickly or not at all.	JP4 setting incorrect for desired mode.	Set JP4 to ON for auto silence mode or OFF for manual silence mode.
Key turns but alarm status does not change.	Cylinder or cam holder not correctly installed.	Revisit installation steps for the lock cylinder and cam holder. Ensure all components are secured.
Alarm chirps unexpectedly.	Low battery alert.	Replace the battery if voltage is below 7V DC as indicated by the periodic chirping.
Unable to change audible indication settings.	Incorrect procedure followed.	Follow the specific steps for enabling/disabling audible indications using the S5 button and battery setup.
Alarm sounder volume is too low or inaudible.	Speaker malfunction or misconnection.	Check the speaker connections and ensure the speaker is not damaged. Replace if necessary.
External door contact does not trigger the alarm.	Incorrect installation or faulty external contact.	Ensure external contact is correctly connected to the JP5 connector and functioning properly.