

CV-945

STAND-ALONE BIOMETRIC FINGERPRINT READER



CV-945

FEATURES

- UP TO 100 FINGERPRINTS: 98 USERS AND 3 FOR PROGRAMMING
- COMPACT AND ELEGANTLY DESIGNED, WITH A CHARCOAL GRAY FINISH
- VANDAL RESISTANT CAST ALUMINUM HOUSING
- SWIPE CAPACITIVE SENSOR
- NO SOFTWARE REQUIRED. PROGRAM MASTER, USER GROUPS AND ADD/DELETE USERS WITH FINGER TAP/SWIPES ONLY
- (1) RELAY, 1 AMP @ 24V AC/DC
- (1) REX INPUT
- 3 COLOR STATUS INDICATION (READY, ACCESS GRANTED AND ACCESS DENIED)
- SURFACE MOUNT; SINGLE GANG MOUNTING PLATE ALSO PROVIDED
- SELECTABLE 1 TO 60 SECOND OR TOGGLE (ON/OFF) TIMER
- 3 YEAR 'CAMDEN TOUGH' WARRANTY
- OPTIONAL RAIN COVER REQUIRED FOR OUTDOOR INSTALLATIONS

DESCRIPTION

CV-945 is a compact one door stand-alone fingerprint reader featuring a cast aluminum housing with a charcoal gray architectural finish. The capacitive reader can store up to 100 fingerprints and no computer is required to enroll or delete users. CV-945 provides (1) Form 'C' contact, and an interface for connection of a secure area relay (preventing access to the door control circuit). The unit can be surface mounted, or mounted to a flush single gang electrical box, with color matched plate, supplied.

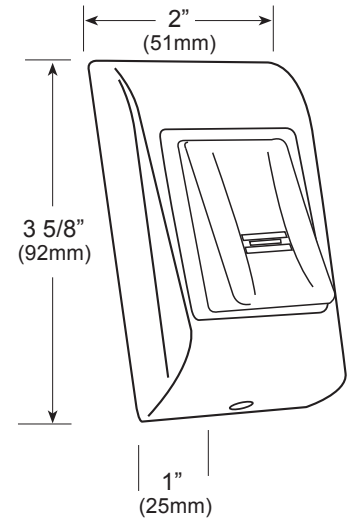
APPLICATIONS

CV-945 stand-alone fingerprint readers are ideal for small access control projects, providing a much more secure and convenient access device compared to proximity cards and keypads. CV-945 stand-alone fingerprint readers provide an affordable and reliable access solution for professional offices, daycare, assisted living residences, retail stores, commercial offices and executive homes.

STAND-ALONE BIOMETRIC FINGERPRINT READER

SPECIFICATIONS

SENSOR TYPE:	CAPACITIVE
USERS:	98 (1 INSTALLER, 1 ADMIN FINGER)
MOUNTING:	SURFACE OR ON SINGLE GANG BOX
VOLTAGE:	9 – 14VDC
INPUT:	(1) REX INPUT
OUTPUT:	(1) FORM 'C'
OUTPUT RATING:	1 AMP @ 24V AC/DC
INTERFACE:	RS485 TO REMOTE RELAY
PROGRAMMING:	WITH FINGERS
TIMER:	1 TO 60 SECONDS TOGGLE (ON/OFF)
BACKLIGHT:	ON/OFF
SOUNDER:	ON/OFF
CURRENT DRAW:	100MA
TEMP RATING:	-4°F TO 122°F (-20°C TO 50°C)
RAIN SHIELD:	REQUIRED FOR OUTDOOR USE
IP RATING:	IP40
DIMENSIONS:	3 5/8" H x 2" W x 1" D (92mm x 51mm x 25mm)
WARRANTY:	3 YEARS



CV-945

ORDER INFORMATION

CV-945: STAND-ALONE BIOMETRIC FINGERPRINT READER

OPTIONS AND FINISHES

CV-940MCP: COVER FOR BIOMETRIC FINGERPRINT READER, REQUIRED FOR OUTDOOR INSTALLATIONS