



CV-900 'DESIGNER SERIES' ACCESS CONTROL WIEGAND DEVICES



CV-920
KEYPAD



CV-930
PROX. READER



CV-940
BIOMETRIC READER

FEATURES

- A COMPLETE LINE OF METAL BACKLIT KEYPADS, HID/AWID FORMAT PROXIMITY CARD READERS AND CAPACITIVE BIOMETRIC FINGERPRINT READERS
- ELEGANT DESIGN TO COMPLIMENT ANY DÉCOR WITH A RANGE OF ANODIZED ARCHITECTURAL FINISHES (METALLIC SILVER, CHARCOAL, WHITE, AND RED)
- WIEGAND 26, 30, 34, 37, 40 BIT, CLOCK & DATA OUTPUTS
- WEATHER RESISTANT IP-65 RATING
- MOUNT INDIVIDUALLY OR DOUBLE-GANG 'DUAL TECHNOLOGY'
- SURFACE MOUNT SUPPLIED WITH OPTIONAL SINGLE GANG OR DOUBLE GANG MOUNTING PLATES
- TAMPER ALARM OUTPUT
- AUDIBLE AND VISUAL FEEDBACK
- 3 YEAR WARRANTY

DESCRIPTION

Camden Doors CV-900 'Designer Series' access control system devices are compact, elegantly styled and available in a selection of finishes that will enhance any décor. CV-900 'Designer Series' access control system devices also offer 'all metal' construction and IP-65 rated protection from water and dust. 'Designer Series' devices provide industry-leading technology and the most extensive list of features available. They are backed by a full 3 year replacement warranty.

APPLICATION

CV-900 'Designer Series' keypads, proximity card readers and biometric fingerprint readers are compact, highly attractive and rugged Wiegand devices for use with most access control systems. All metal construction provides durability in high traffic areas and the devices are suitable for indoor and outdoor use, with excellent resistance to water and dust, IP-65.

A selection of metallic silver, metallic grey, gloss white and metallic red anodized finishes allows the installation of an architectural finish that will perfectly compliment any décor. (White and red special order)

CV-920 'DESIGNER SERIES' WIEGAND KEYPAD

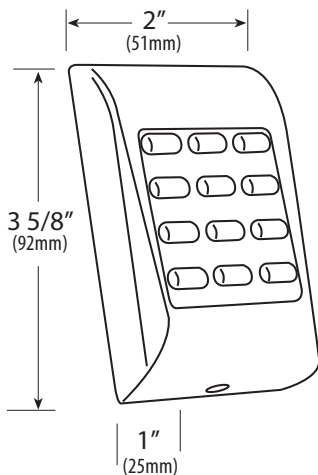
- METAL BACKLIT KEYPAD
- INDOOR/OUTDOOR USE
- SURFACE MOUNT, WITH OPTIONAL SINGLE GANG MOUNTING PLATE
- AUDIBLE AND VISUAL FEEDBACK
- SELECTABLE PIN CODE LENGTH
- TAMPER ALARM OUTPUT

CV-930 'DESIGNER SERIES' PROXIMITY READER

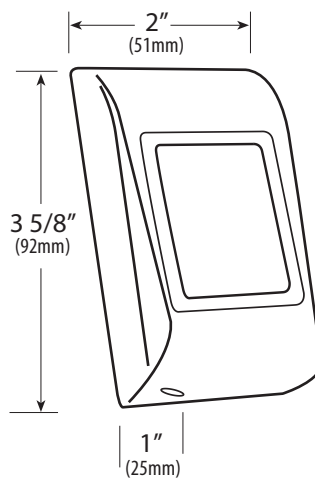
- CAST METAL HOUSING
- LED LIGHT RING CHANGES COLOR UPON ACTIVATION
- AWID AND HID CARD/TAG FORMATS
- INDOOR/OUTDOOR USE
- SURFACE MOUNT, WITH OPTIONAL SINGLE GANG MOUNTING PLATE
- A WIDE SELECTION OF CAMDEN PROX. CARDS AND TAGS

CV-940 'DESIGNER SERIES' BIOMETRIC FINGERPRINT READER

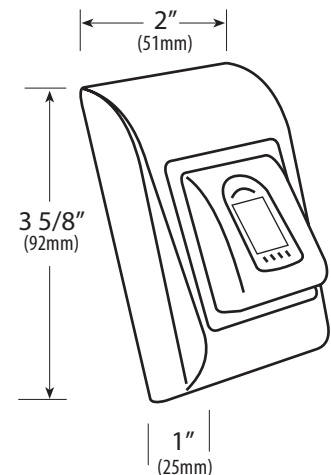
- FINGERPRINT READER WITH CAPACITIVE SENSOR
- CAST METAL HOUSING
- UP TO 9500 FINGERPRINTS STORED IN READER, BACK-UP COPY IN SOFTWARE
- LED LIGHT RING CHANGES COLOR UPON ACTIVATION
- SURFACE MOUNT, WITH OPTIONAL SINGLE GANG MOUNTING PLATE
- MANAGEMENT SOFTWARE, FREE
- OPTIONAL DESK-TOP READER, FOR ADMIN. ENROLLMENT
- OPTIONAL STAINLESS STEEL COVER (REQUIRED FOR OUTDOOR USE)



CV-920
KEYPAD



CV-930
PROX. READER



CV-940
BIOMETRIC READER

SPECIFICATIONS

CV-920 'DESIGNER SERIES' WIEGAND KEYPAD

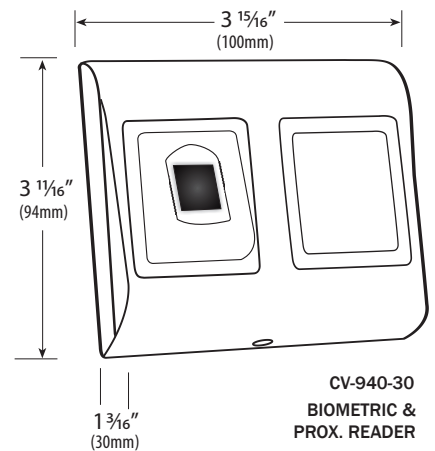
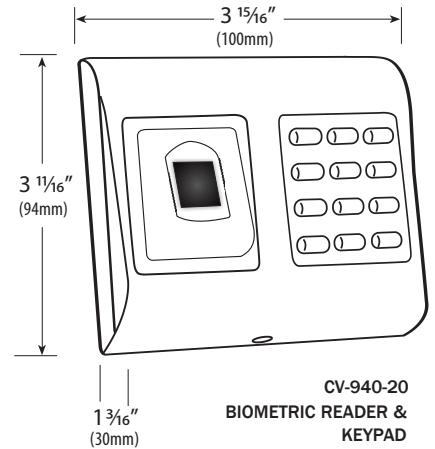
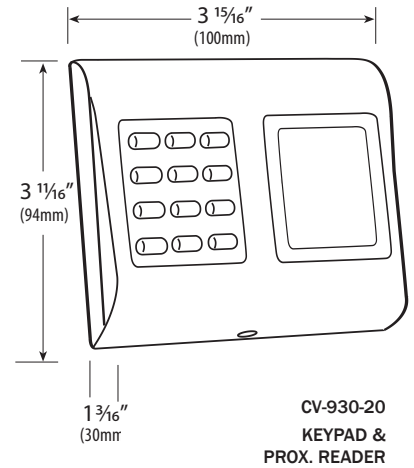
OPERATING VOLTAGE:	12VDC
CURRENT DRAW:	45mA
MOUNTING:	SURFACE MOUNT, WITH OPTIONAL SINGLE GANG MOUNTING PLATE
OUTPUTS:	WIEGAND: 26, 30, 34, 40 BIT, CLOCK & DATA
TAMPER ALARM:	YES
IP RATING:	65
OPERATING TEMP:	-4°F TO +122°F (-20°C TO +50°C)
DIMENSIONS:	3 5/8" H x 2" W x 1" D (92mm x 51mm x 25mm)

CV-930 'DESIGNER SERIES' PROXIMITY READER

OPERATING VOLTAGE:	9 TO 14V DC
CURRENT DRAW:	30mA
MOUNTING:	SURFACE MOUNT, WITH OPTIONAL SINGLE GANG MOUNTING PLATE
READER FORMAT:	AWID AND HID
OUTPUTS:	WIEGAND: 26, 30, 34, 40 BIT, CLOCK & DATA
TAMPER ALARM:	YES
IP RATING:	65
OPERATING TEMP:	5°F TO +122°F (-15°C TO +50°C)
DIMENSIONS:	3 5/8" H x 2" W x 1" D (92mm x 51mm x 25mm)

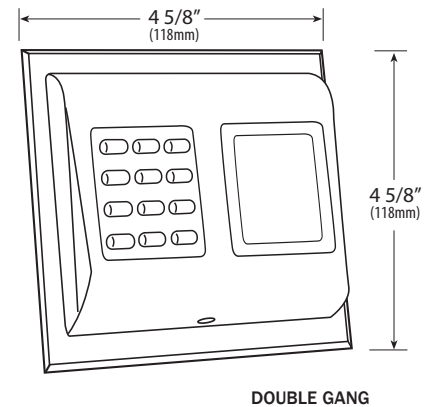
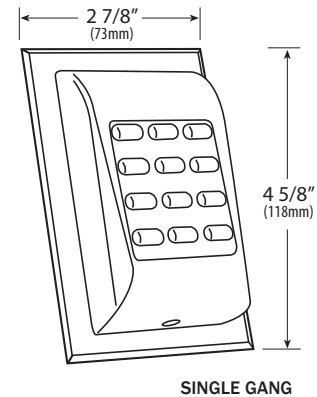
CV-940 'DESIGNER SERIES' BIOMETRIC FINGERPRINT READER

OPERATING VOLTAGE:	12V DC
CURRENT DRAW:	100mA (MAX.)
MOUNTING:	SURFACE MOUNT, WITH OPTIONAL SINGLE GANG MOUNTING PLATE
FINGERPRINTS PER USER:	1 TO 10
OUTPUTS:	SELECTABLE 8 TO 128 BIT WIEGAND PROTOCOL
TAMPER ALARM:	YES
IP RATING:	65
OPERATING TEMP:	5°F TO +122°F (-15°C TO +50°C)
DIMENSIONS:	3 5/8" H x 2" W x 1" D (92mm x 51mm x 25mm)



ORDER INFORMATION

MODEL	DESCRIPTION
INDIVIDUAL WIEGAND DEVICES	
CV-920	METAL KEYPAD, SINGLE GANG, OR SURFACE MOUNT
CV-930	METAL PROX. READER, SINGLE GANG, OR SURFACE MOUNT
CV-940	BIOMETRIC READER, SINGLE GANG, OR SURFACE MOUNT
DUAL TECHNOLOGY CONFIGURATIONS	
CV-930-20	PROX. READER & KEYPAD, DOUBLE GANG, OR SURFACE MOUNT
CV-940-20	BIOMETRIC READER & KEYPAD, DOUBLE GANG, OR SURFACE MOUNT
CV-940-30	BIOMETRIC READER & PROX. READER, DOUBLE GANG, OR SURFACE MOUNT
ACCESSORIES	
CV-940-MCP	BIOMETRIC FINGERPRINT READER COVER, REQUIRED FOR OUTDOOR APPLICATIONS
CV-940-BMCP	BIOMETRIC FINGERPRINT READER/PROX OR KEYPAD COVER, REQUIRED FOR OUTDOOR APPLICATIONS
CV-940-ER	USB BIO FINGERPRINT DESKTOP ENROLLMENT READER
CV-940-SER	RS485 TO RS232 CONVERTER MODULE, FOR BIOMETRIC FINGERPRINT READER
CV-940-USB	RS485 TO USB CONVERTER MODULE, FOR BIOMETRIC FINGERPRINT READER
CV-940-TCP	RS485 TO TCP CONVERTER MODULE, FOR BIOMETRIC FINGERPRINT READER
COMPATIBLE PROX. CARDS & KEY TAGS	
CV-CSA:	AWID FORMAT PROX CARDS, CLAM SHELL STYLE, PACKAGE OF 10
CV-CSA-B:	AWID FORMAT PROX CARDS, CLAM SHELL STYLE, PACKAGE OF 100
CV-ISA:	AWID FORMAT ISO PROX CARD, PACKAGE OF 10
CV-ISA-B:	AWID FORMAT ISO PROX CARD, PACKAGE OF 100
CV-KTA:	AWID FORMAT PROX KEY TAG, PACKAGE OF 25
CV-ISH:	HID FORMAT ISO PROX. CARD, PACKAGE OF 10
CV-ISH-B:	HID FORMAT ISO PROX. CARD, PACKAGE OF 100
CV-CSH:	HID FORMAT CLAM SHELL PROX. CARD, PACKAGE OF 10
CV-CSH-B:	HID FORMAT CLAM SHELL PROX. CARD, PACKAGE OF 100
CV-KTH:	HID FORMAT PROX.TAG, PACKAGE OF 25



ARCHITECTURAL FINISH OPTION (1 REQUIRED):

SL	ADD SUFFIX 'SL' TO MODEL # FOR METALLIC SILVER FINISH
WH	ADD SUFFIX 'WH' TO MODEL # FOR GLOSS WHITE FINISH (SPECIAL ORDER)
CH	ADD SUFFIX 'CH' TO MODEL # FOR METALLIC CHARCOAL GRAY FINISH
RD	ADD SUFFIX 'RD' TO MODEL # FOR METALLIC RED FINISH (SPECIAL ORDER)