



CM-324 SERIES

ACTIVE INFRA-RED 'HANDS-FREE' SWITCH

FEATURES

- ADJUSTABLE OPERATING RANGE 3"-26"
- ADJUSTABLE TIME DELAY 1-5 SECONDS
- FAIL-SAFE/NON-FAIL-SAFE SELECTABLE
- ON-BOARD LED FOR EASE OF SET-UP (SELECTABLE ON/OFF)
- SUPER-FAST ACTIVATION RESPONSE <100MS
- EXCELLENT PERFORMANCE IN ALL LIGHTING CONDITIONS
- 12/24V AC/DC OPERATION
- FULLY SHIELDED AGAINST EMI, LINE VOLTAGE SPIKES AND NOISE
- HEAVY DUTY 5 AMP RELAY, FOR USE WITH ALL AUTOMATIC OPERATORS AND ELECTRIFIED LOCKS
- STAINLESS STEEL OR HIGH-IMPACT POLYCARBONATE FACEPLATES
- ROHS COMPLIANT

DESCRIPTION

Sure-Wave™ Hands-Free Switches is an active infra-red device designed for use with an automatic door operator or door-locking product (such as an electric door strike or magnetic lock) where physical contact with a switch poses a health risk or is simply inconvenient. The switch assembly will fit in a variety of locations from a 1 3/4" door frame to a single or double gang electrical box.

APPLICATION

Sure-Wave™ hands-free switches are American Disability Act (ADA) compliant, and provide barrier free access and egress to buildings and washroom facilities. The rugged construction and relay rating make them ideal for use on low-energy automatic doors, drive-up windows, and interior and exterior doors in virtually any commercial (office, retail), institutional (school, hospital or clinic), or industrial (manufacturing) facility.

ARCHITECTS / ENGINEERS SPECIFICATIONS

All door activation switches to be used throughout the facility shall be CM-324 Sure-Wave™ Series active infra-red hands-free switches manufactured by Camden Door Controls.

The switches shall be jamb/narrow, single gang or double gang, as required. They shall have an on-board LED for ease of set-up, fail-safe or non-fail-safe selectable, have an adjustable operating range of 1"-26" and a relay contact rating of 5 amps @ 30VDC. The switches shall also be ROHS compliant. Switches mounted outdoors, or exposed to interior water/humidity shall be mounted with weather resistant integral rubber gasket and back box, supplied by the same manufacturer.



CM-324/N



CM-324/42



CM-324/41WS



CM-324/40W

ACTIVE INFRA-RED 'HANDS-FREE' SWITCHES

SPECIFICATIONS

TECHNOLOGY:	INFRA-RED WITH CODED MODULATED CARRIER
NO. OF SENSORS:	(2)
SECURITY:	AUTOMATIC SELF-CHANGING ID
OPERATING MODES:	PULSE (SENSE) / TOGGLE
OPERATING TEMP:	-4°F TO +153°F (-20°C TO +85°C)
OPERATING VOLTAGE:	12-24 VOLTS, AC/DC ± 12%
CURRENT DRAW:	60 MA.
RESPONSE TIME:	100 MS.
ACTIVATION RANGE:	MINIMUM 1" - 3" (25MM - 75MM) MAXIMUM 1" - 26" (25MM - 660MM)
RELAY OUTPUT:	(1) FORM 'C' (SPDT)
RELAY CONTACT RATING:	5 AMPS @ 30 VDC
OUTPUT TYPE:	NORMAL OR FAIL-SAFE
CONNECTIONS:	11" 22 AWG LEADS
TIME DELAY:	1 TO 5 SECONDS
ELECTRICAL LIFE:	100,000 OPERATIONS @ RATED CAPACITY 500,000 OPERATIONS @ 1/2 RATED CAPACITY

ORDERING INFORMATION

MODEL	DESCRIPTION
CM-324	'ORIGINAL' HAND-FREE SWITCH, WIRED, WITH 1 RELAY

CONFIGURATION OPTIONS

FACEPLATE MATERIAL

CM-XXXP	POLYCARBONATE FACEPLATE
CM-XXXS	STAINLESS STEEL FACEPLATE

FACEPLATE SIZE

CM-XXX/N	NARROW FACEPLATE
CM-XXX	SINGLE GANG FACEPLATE
CM-XXX/W	DOUBLE GANG FACEPLATE

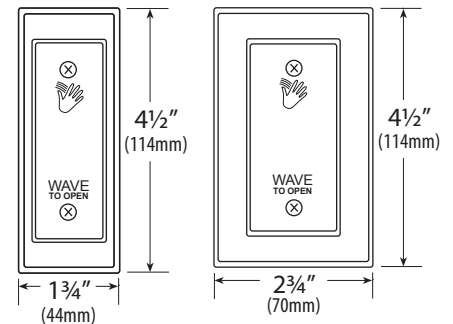
FACEPLATE GRAPHICS

CM-XXX/40	HAND ICON
CM-XXX/41	HAND ICON AND 'WAVE TO OPEN' TEXT
CM-XXX/42	HAND ICON, 'WAVE TO OPEN' TEXT AND WHEELCHAIR SYMBOL

LITHIUM BATTERIES

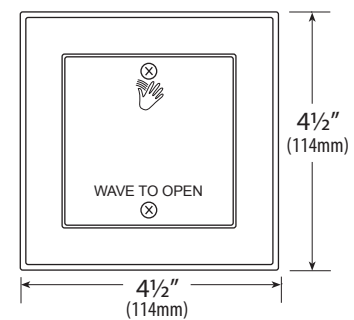
CX-XXXL1	ADD SUFFIX 'L1' FOR (2) 'AA' LITHIUM BATTERIES IN PLACE OF (2) ALKALINE
CM-LP1	(2) AA LITHIUM BATTERY PACKS

SURE WAVE™
BY CAMDEN

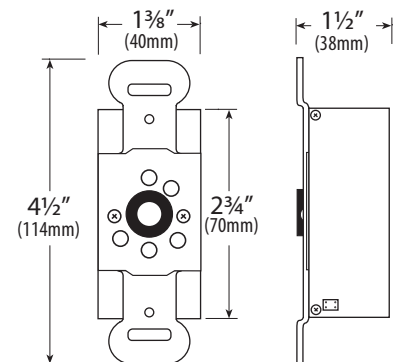


CM-324/41N

CM-324/41

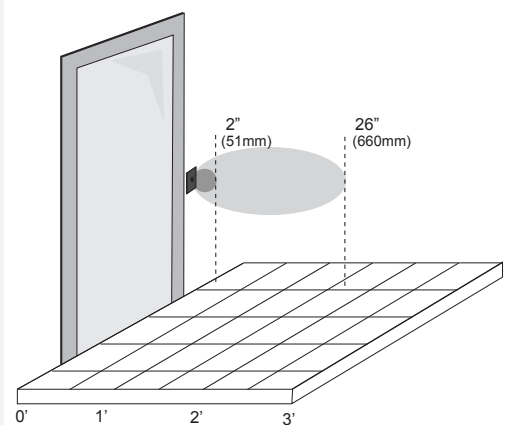


CM-324/41W



FRONT VIEW

SIDE VIEW



ADJUSTABLE RANGE SETTINGS