



## CM-330 SERIES ACTIVE INFRA-RED 'HANDS-FREE' SWITCHES



CM-330/N



CM-330/42



CM-330/41WS



CM-330/40W

### FEATURES

- CHOICE OF 12/24V AC/DC AND BATTERY OPERATED MODELS
- CHOICE OF HARD WIRED, OR BATTERY POWERED WIRELESS MODELS, AND COMBINATION WIRED/WIRELESS MODELS
- CHOICE OF STAINLESS STEEL OR HIGH-IMPACT POLYCARBONATE FACEPLATES
- ADJUSTABLE STANDARD OPERATING RANGE 1" - 28"
- AUTO RANGE MODE, UP TO 72"
- ADJUSTABLE TIME DELAY 3-30 SECONDS
- SELECTABLE FAIL-SAFE/FAIL SECURE OPERATION
- ACTIVE OUTPUT, FOR EXTERNAL ALARM, LED, OR ANNUNCIATOR
- 'REQUEST TO EXIT' AND EXTERNAL (DOOR CONTACT) INPUTS (CM-332, CM-333)
- SUPER-FAST ACTIVATION RESPONSE <90MS
- HEAVY DUTY 3 AMP RELAYS, FOR USE WITH ALL AUTOMATIC OPERATORS AND ELECTRIFIED LOCKS
- OPTIONAL LIGHT RING, PROVIDES VISUAL INDICATION OF DOOR STATUS AND ALARMS. CONTROLLED LOCALLY OR REMOTE

### DESCRIPTION

**Sure-Wave™ Hands-Free Switch** are active infra-red devices utilizing micro burst sensor technology, designed for use in ADA compliant automatic door and UL compliant access control applications. The switches eliminate the spread of germs by avoiding physical contact and offer building occupants greater convenience when moving through the premises. There is a complete range of wired, wireless and wired/wireless hi-brid models to provide the best solution for any application. An optional light ring, providing visual indication door status and alarms is available for all line powered models. Sure-Wave™ switches are available with either stainless steel or impact resistant polycarbonate faceplates, in narrow (jamb), single gang or double gang configurations. All models are ROHS compliant with lead-free construction.

### APPLICATION

Sure-Wave™ hands-free switches are American Disability Act (ADA) compliant, and provide barrier free access and egress to buildings and washroom facilities. Sure-Wave™ hands-free switches are also UL 294 compliant, for use in code compliant access control systems. The rugged construction and heavy duty relay rating make them ideal for use on low-energy automatic doors, drive-up windows, and interior and exterior doors in virtually any commercial (office, retail), institutional (school, hospital or clinic), or industrial (manufacturing) facility.

KEY SWITCHES

PUSH BUTTONS

MOUNTING OPTIONS

RF CONTROLS

HANDS-FREE SWITCHES

SPECIAL PURPOSE SWITCHES

KEYPADS

ACCESSORIES

# ACTIVE INFRA-RED 'HANDS-FREE'" SWITCHES

## ARCHITECTS/ENGINEERS SPECIFICATIONS

All door activation switches to be used throughout the facility shall be CM-330 Series Sure-Wave™ active infra-red hands-free switches, utilizing 'microburst' sensing technology, as manufactured by Camden Door Controls.

The switches shall be jamb/narrow, single gang or double gang mounted, with either polycarbonate or stainless steel faceplate as required. They shall have an on-board LED for ease of set-up, selectable fail safe/fail secure operation, an adjustable (standard) operating range from 1" to 28" (25.4mm - 711.2mm) and 1 or 2 relay contacts rating of 3 amps @ 30 VDC. Switches mounted outdoors, or exposed to interior water/humidity shall be mounted with weather resistant integral rubber gasket and back box, supplied by the same manufacturer.

## SPECIFICATIONS

SENSOR TYPE:	INFRA-RED, UTILIZING MICROBURST TECHNOLOGY
OPERATING TEMP:	-4° F TO +153° F (-20° C TO +85° C)
RESPONSE TIME:	90 MS.
TIME DELAY:	3 TO 30 SECONDS
CONNECTIONS:	20 - 22 AWG WIRE

### CM-330 BATTERY OPERATED WIRELESS

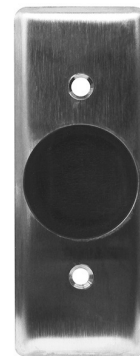
SIMPLE OPERATION, AVOID COST OF WIRING

NO. OF IR SENSORS:	(1)
BATTERIES	(2) 'AA' ALKALINE (SUPPLIED) (2) 'AA' LITHIUM BATTERIES (OPTIONAL)
ESTIMATED BATTERY LIFE:	2 YRS (BASED ON 100 OPERATIONS/DAY)
STANDARD OPERATING RANGE:	1" - 12" (25.4MM - 304MM)
OPERATING MODE:	MOMENTARY
WIRELESS OUTPUT:	BUILT-IN 915MHZ. SPREAD SPECTRUM WIRELESS TRANSMITTER

### CM-331 WIRED, 1 RELAY, OPTION FOR WIRELESS TRANSMITTER

ECONOMICAL, IDEAL FOR MOST APPLICATIONS (INCL. RETRO FIT)

NO. OF IR SENSORS:	(2)
OPERATING VOLTAGE:	12-24 VOLTS, AC/DC ± 10%
CURRENT DRAW:	40MA
STANDARD OPERATING RANGE:	1" - 28" (25.4MM - 711.2MM)
AUTO RANGE OPERATION:	6"-40" (152.4MM - 1.016M) HAND 6"-72" (152.4MM - 1.820M) BODY



CM-330/N



CM-330

# ACTIVE INFRA-RED 'HANDS-FREE' SWITCHES

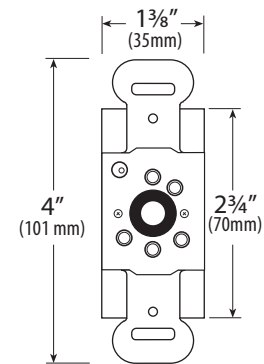
## SPECIFICATIONS

OPERATING MODES:	<b>MOTION SENSING MODES:</b> MOMENTARY, MOMENTARY WITH ALARM MAINTAINED (LATCHING) <b>RELAY OPERATION MODES:</b> SINGLE EVENT, TOGGLE
RELAY OUTPUT:	(1) FORM 'C' (SPDT)
RELAY CONTACT RATING:	3 AMPS @ 30 VDC
ACTIVE OUTPUT:	9-12V
OUTPUT TYPE:	FAIL SAFE OR FAIL-SECURE
INPUTS:	'REQUEST TO EXIT' EXTERNAL (DOOR CONTACT) INPUT
OPTIONAL LED RING:	ON/OFF, RED, BLUE, GREEN
CURRENT DRAW:	8MA MAX
WIRELESS OUTPUT:	TX-99 PLUG-IN 915MHZ. SPREAD SPECTRUM WIRELESS TRANSMITTER

### CM-332 WIRED, 2 RELAY, OPTION FOR WIRELESS TRANSMITTER

ADVANCED SWITCH WITH DOOR CONTROL FUNCTIONALITY

NO. OF IR SENSORS:	(2)
OPERATING VOLTAGE:	12-24 VOLTS, AC/DC ± 10%
CURRENT DRAW:	40MA
STANDARD OPERATING RANGE:	1" - 28" (25.4MM - 711.2MM)
AUTO RANGE OPERATION:	6" - 40" (152.4MM - 1.016M) HAND 6" - 72" (152.4MM - 1.820M) BODY
OPERATING MODES:	<b>MOTION SENSING MODES:</b> MOMENTARY, MOMENTARY WITH ALARM MAINTAINED (LATCHING) <b>RELAY OPERATION MODES:</b> SINGLE EVENT, SEQUENCE, SECURITY TOGGLE, AUTO RANGE
RELAY OUTPUT:	(2) FORM 'C' (SPDT)
RELAY CONTACT RATING:	3 AMPS @ 30 VDC
ACTIVE OUTPUT:	9-12V.
OUTPUT TYPE:	FAIL SAFE OR FAIL-SECURE
INPUTS:	'REQUEST TO EXIT' EXTERNAL (DOOR CONTACT) INPUT
OPTIONAL LED RING:	ON/OFF, RED, BLUE, GREEN
CURRENT DRAW:	8MA MAX
WIRELESS OUTPUT:	TX-99 PLUG-IN 915MHZ. SPREAD SPECTRUM WIRELESS TRANSMITTER



CM-332  
FRONT VIEW



CM-332  
SIDE VIEW

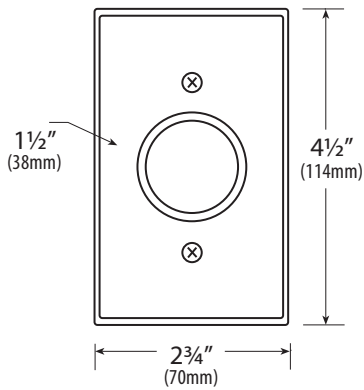
# ACTIVE INFRA-RED 'HANDS-FREE' SWITCHES

## SPECIFICATIONS

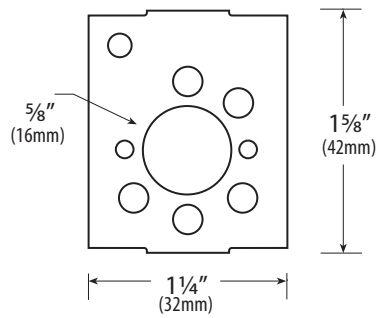
### CM-333 BATTERY POWERED WITH RELAY OUTPUT, OPTION FOR WIRELESS TRANSMITTER

IDEAL FOR RETROFIT APPLICATIONS UTILIZING EXISTING WIRES

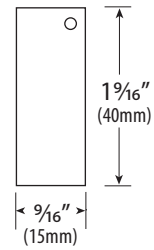
NO. OF IR SENSORS:	(1)
BATTERIES:	(2) 'AA' ALKALINE (SUPPLIED) (2) 'AA' ALITHIUM BATTERIES (OPTIONAL)
ESTIMATED BATTERY LIFE:	2 YRS (BASED ON 100 OPERATIONS/DAY)
STANDARD OPERATING RANGE:	1" - 12" (25.4MM - 304MM)
MOTION SENSING MODES:	MOMENTARY, MOMENTARY WITH ALARM MAINTAINED (LATCHING)
RELAY OUTPUT:	(1) FORM 'C' (SPDT)
RELAY CONTACT RATING:	3 AMPS @ 30 VDC
OUTPUT TYPE:	FAIL SAFE/NON-FAIL SAFE OPERATION
INPUTS:	'REQUEST TO EXIT', EXTERNAL (DOOR CONTACT) INPUT
WIRELESS OUTPUT:	TX-99 PLUG-IN 915MHZ. SPREAD SPECTRUM WIRELESS TRANSMITTER



CM-XXX-SGLR  
FACEPLATE



CM-XXX-SGLR  
MODULE



CM-TX99  
PLUG-IN WIRELESS  
TRANSMITTER