

## CAMDEN MOUNTING BOXES

### FEATURES

- THE INDUSTRY'S LARGEST ASSORTMENT OF MOUNTING BOXES, ESCUTCHEONS, TRIM PLATES AND SLEEVES.
- SOLUTIONS FOR SURFACE AND FLUSH MOUNTING, INDOOR, OUTDOOR AND WATER TIGHT APPLICATIONS.
- FLAME AND IMPACT RESISTANT POLYMER (ABS) MODELS.
- HEAVY GAUGE STAINLESS AND ALUMINUM MODELS.

### NARROW/JAMB MOUNTING BOXES

**MODEL: CM-23**

**Size:** Narrow/Jamb width

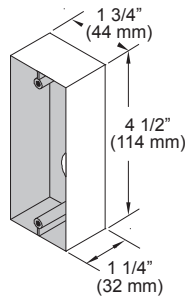
**Type:** Surface mount box

**Construction:** Flame and Impact resistant black polymer (ABS)

**Application:** Indoor/outdoor, wired

**For Switch Series:**  
CM-25, CM-250, CM-310

**Cover Plate:** CM-23CP



**MODEL: CM-23D**

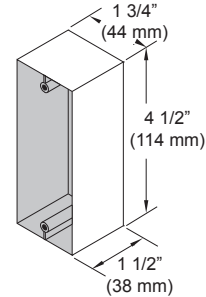
**Size:** Narrow/Jamb width, extra depth

**Type:** Surface mount box

**Construction:** Flame and impact resistant black polymer (ABS)

**Application:** Indoor/outdoor, wired. Required for wireless.

**For Switch Series:**  
CM-25, CM-170, CM-250, CM-310, CM-325/N, CM-2200



### SINGLE GANG MOUNTING BOXES

**MODEL: CM-34AL**

**Size:** Single gang, std. depth

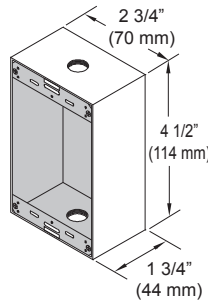
**Type:** Surface mount box, threaded conduit entry

**Construction:** Heavy duty cast aluminum

**Application:** Water tight, wired

**For Switch Series:**  
CM-35, CM-180, CM-195, CM-280, CM-300, CM-325, CM-400, CM-4000, CM-5000, CM-700, CM-1100, CM-1200, supplied with CM-1000 Series

**Gasket:** CM-120G



**MODEL: CM-34BL**

**Size:** Single gang, std. depth

**Type:** Surface mount box

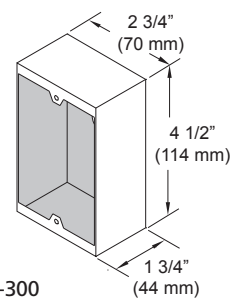
**Construction:** Double wall, black (ABS)

**Application:** Indoor, wired or wireless

**For Switch Series:**  
CM-35, CM-180, CM-195, CM-280, CM-300, CM-324, CM-325, CM-400, CM-700, CM-1200

**Gasket:** CM-120G

**Cover Plate:** CM-34CP



**MODEL: CM-34D**

**Size:** Single gang, extra depth

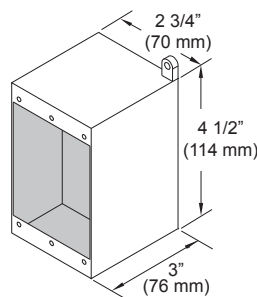
**Type:** Surface mount box

**Construction:** Heavy duty grey polymer

**Application:** Indoor/outdoor, wired. Required for wireless

**For Switch Series:**  
CM-30, CM-3000, CM-4085/5085/7085/8085

**Gasket:** CM-120G



**MODEL: CM-31**

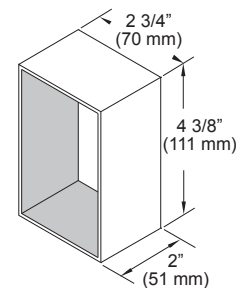
**Size:** Single gang

**Type:** Sleeve for standard 2" x 4" surface electrical box

**Construction:** Heavy gauge stainless steel

**Application:** Adds brushed SS finish to standard electrical box

**For Switch Series:**  
CM-35, CM-180, CM-195, CM-280, CM-300, CM-324, CM-325, CM-1200



# CAMDEN MOUNTING BOXES

## MODEL: CM-CPC1

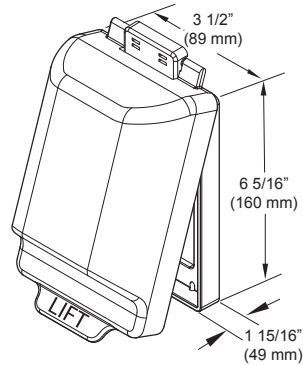
**Size:** Single gang

**Type:** Clear Plastic Protection Cover

**Construction:** Molded Polycarbonate

**Application:** Indoor/Outdoor

**For Switch Series:**  
Any Camden single gang flush mounted Push/Exit Switch, Keypad or Key Switch



## MODEL: CM-66

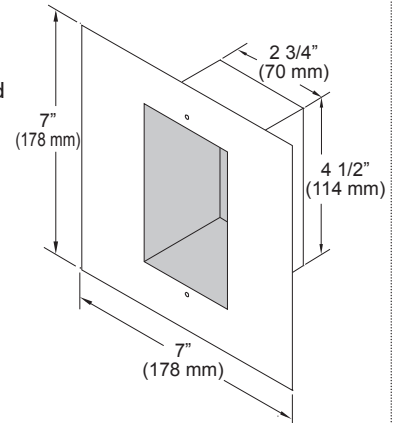
**Size:** Single gang, standard depth

**Type:** 7" x 7" dress plate and standard 2" x 4" flush electrical box

**Construction:** Heavy gauge stainless steel

**Application:** Extra wide trim plate c/w box to cover double gang sized openings

**For Switch Series:**  
CM-35, CM-40, CM-41, CM-45, CM-60



## DOUBLE GANG/SQUARE MOUNTING BOXES - SURFACE

### MODEL: CM-43LP

**Size:** Double gang, 2 pcs, shallow

**Type:** Surface mount box

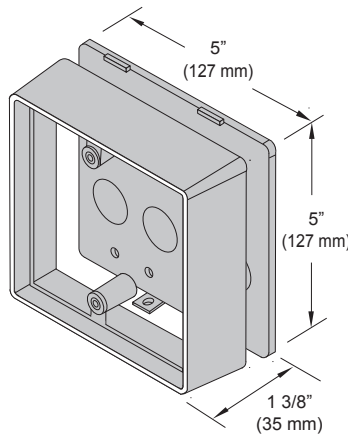
**Construction:** Provision for wireless, Flame and impact resistant black polymer (ABS)

**Application:** Indoor/outdoor

**For Switch Series:**  
CM-41, CM-45, CM-46

Add suffix 'A' for use with CM-324/325/330 Series double gang Hands Free Switches.

Add suffix 'B' for use with CM-2520 double gang vestibule switches



### MODEL: CM-43CBL/CBLA

**Size:** 5" Square, std. depth

**Type:** Surface mount box

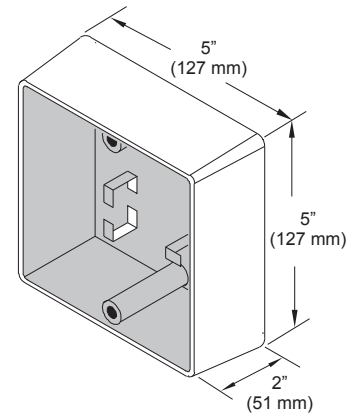
**Construction:** Flame and impact resistant black polymer (ABS)

**Application:** Indoor/outdoor, wired. Required for wireless.

**Cover Plate:** CM-43CP

**For Switch Series:**  
CM-41, CM-45, CM-46

**CM-43CBLA:** Surface Box for CM-324/325/330W switches



### MODEL: CM-53

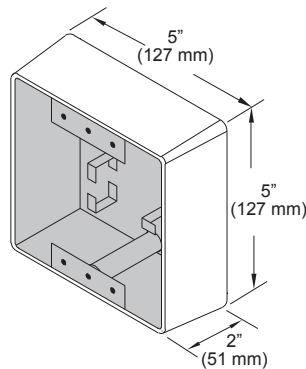
**Size:** 5" Square, std. depth

**Type:** Surface mount box

**Construction:** Flame and impact resistant black polymer (ABS)

**Application:** Indoor/outdoor, for double gang switches and vestibule switches.

**For Switch Series:**  
CM-500, CM-2510, CM-2520, CM-3200, CM-3500



### MODELS: CM-54i

**Size:** 5 1/4" Square, std. surface depth

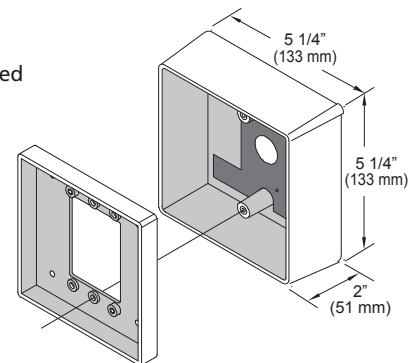
**Type:** AURA™: Illuminated surface box

- **CM-54i:** Green/Red

**Construction:** Flame and impact resistant black polymer (ABS)

**Application:** Surface 4 1/2" square push plate switch enclosure, room for wireless

**For Switch Series:**  
CM-45, CM-46, SPDT models only



# CAMDEN MOUNTING BOXES

## MODEL: CM-63CBL

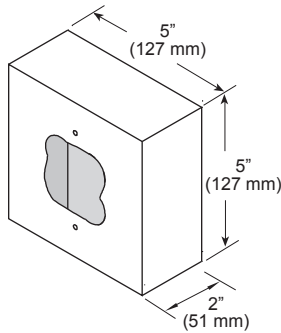
**Size:** 5" Square, std. depth

**Type:** Surface mount box,

**Construction:** Flame and impact resistant black polymer (ABS)

**Application:** Indoor/outdoor, wired. Required for wireless.

**For Switch Series:** CM-41, CM-60, CM-3200



## MODEL: CM-540B

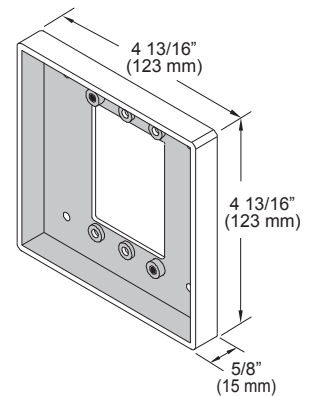
**Size:** Double gang, shallow

**Type:** Semi flush mount box

**Construction:** Flame and impact resistant black polymer (ABS)

**Application:** Indoor/outdoor, wired

**For Switch Series:** CM-41, CM-45, CM-46



## MODEL: CM-48AL

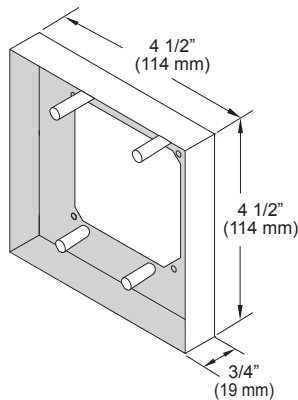
**Size:** Double gang, shallow

**Type:** Surface mount box

**Construction:** Anodized aluminum

**Application:** Indoor/outdoor, wired.

**For Switch Series:** CM-41, CM-45, CM-46 (Requires CM-49C adaptor plate, sold separately)



## MODEL: CM-44

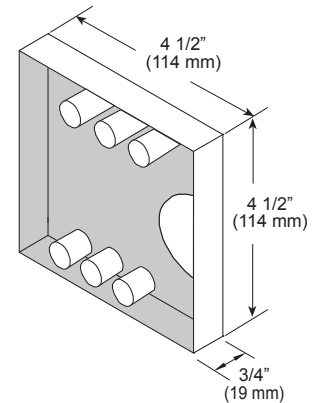
**Size:** Double gang, shallow

**Type:** Offset surface mount box

**Construction:** Stainless steel

**Application:** For mounting 4 1/2" square switches on narrow jambs, indoor/outdoor, wired.

**For Switch Series:** CM-41, CM-45, CM-46



## MODEL: CM-68AL/BZ

(Anodized Aluminum finish)  
CM-68BZ (Anodized dark bronze finish)

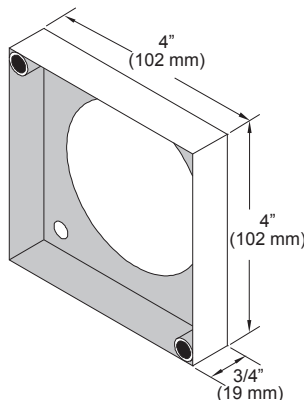
**Size:** Double gang, shallow

**Type:** Surface mount box

**Construction:** Anodized aluminum

**Application:** Indoor/outdoor, wired

**For Switch Series:** CM-60 (Requires CM-49C adaptor plate, sold with switch)



## MODEL: CM-67

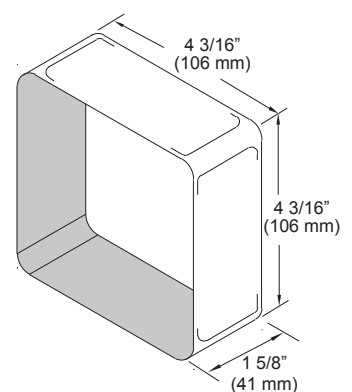
**Size:** Double gang

**Type:** Sleeve for standard 4" x 4" surface electrical box

**Construction:** Heavy gauge stainless steel

**Application:** Adds brushed SS finish to standard electrical box

**For Switch Series:** CM-41, CM-45, CM-46, CM-60



# CAMDEN MOUNTING BOXES

## MODEL: CM-440

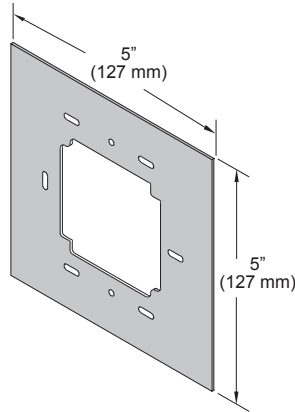
**Size:** Double gang

**Type:** 5" flush dress plate

**Construction:** Stainless steel

**Application:** For mounting 4 1/2" round switch on standard single and double gang electrical box

**For Switch Series:**  
CM-40



## MODEL: CM-660

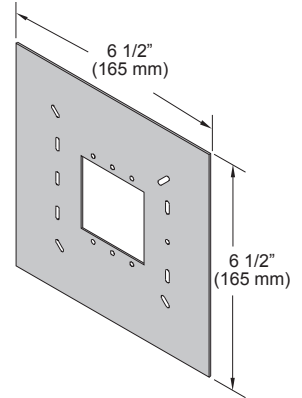
**Size:** Double gang

**Type:** 6 1/2" flush dress plate

**Construction:** Stainless steel

**Application:** For mounting switches on standard single, double gang and 4" square electrical boxes

**For Switch Series:**  
CM-45, CM-46, CM-60



## MODEL: CM-49C

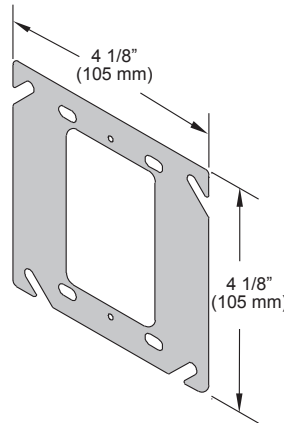
**Size:** Double gang

**Type:** Adapter plate

**Construction:** Galvanized steel

**Application:** For mounting CM-41, CM-45, CM-60 switches on double gang and 4" square mounting boxes

**For Switch Series:**  
CM-45, CM-46  
(included with CM-60)



## DOUBLE GANG/SQUARE MOUNTING BOXES - FLUSH

### MODEL: CM-55i

**Size:** 6 1/2" Square, flush

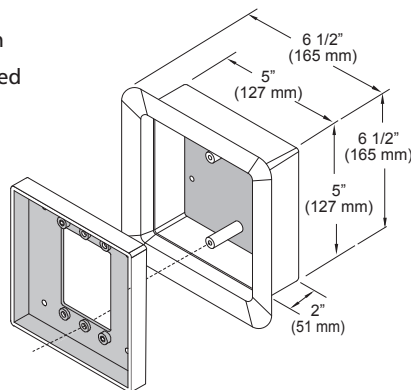
**Type:** AURA™: Illuminated flush box

- CM-55i: Green/Red

**Construction:** Flame and impact resistant black polymer (ABS)

**Application:** Flush 4 1/2" square push plate switch enclosure, room for wireless

**For Switch Series:**  
CM-45, CM-46, SPDT models only



### MODEL: CM-55CBL

**Size:** 6 1/2" Square, flush

**Type:** Flush mount box, 2 pcs.

**Construction:** Flame and impact resistant black polymer (ABS)

**Application:** Indoor/outdoor

**For Switch Series:**  
CM-45, CM-46, SPDT models only

