

## SERIES 09

### GLASS DOOR STRIKE 1/2" GLASS PROJECTION



CX-EL0955

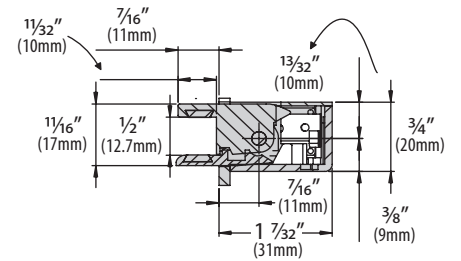
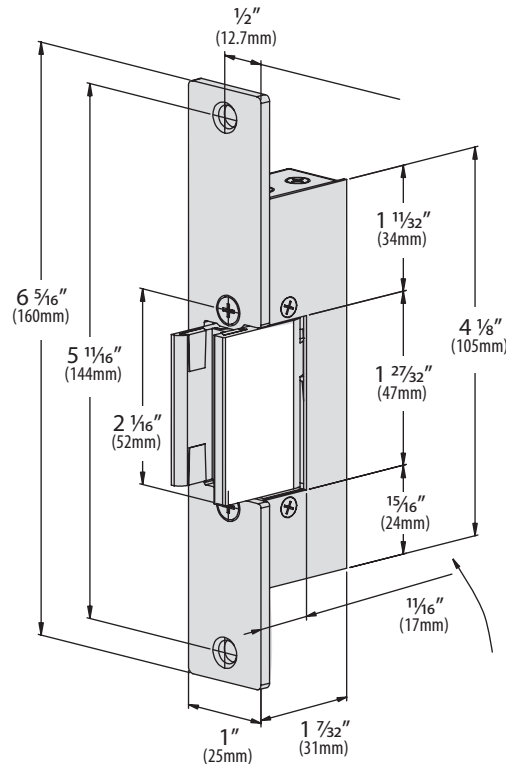
#### FEATURES

- 12 VDC AND 24VDC MODELS
- FAIL SECURE MODELS
- INSTALL AT TOP OR SIDE OF DOOR FRAME
- FULLY REVERSIBLE FOR RIGHT OR LEFT HAND DOORS
- CONTINUOUS DUTY OPERATION
- 5 YEAR WARRANTY

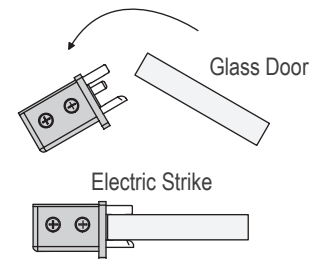
#### DESCRIPTION

Camden 09 Series electric strikes for glass doors are designed for use on single swing glass doors, 1/2" (12.7mm) thick. There are 12 VDC and 24 VDC fail secure models. All glass door strikes are reversible for left and right handed doors and can be installed at the top or side of the door.

#### DIMENSIONS



#### Operation Detail



# SERIES 09 GLASS DOOR STRIKE 1/2" GLASS PROJECTION

## SPECIFICATIONS

VOLTAGE:	12 VDC OR 24 VDC
STATIC STRENGTH:	561 LBS. (254 KG.)
ENDURANCE:	200,000 CYCLES
DUTY:	CONTINUOUS DUTY OPERATION
RATED RESISTANCE:	CX-EL0955: 68 CX-EL0958: 132
STABILIZED DC CURRENT CONSUMPTION:	CX-EL0955: 180MA CX-EL0958: 180MA
CONTINUOUSLY OPERATING VOLTAGE RANGE IN VDC:	CX-EL0955: 11-12 V CX-EL0958: 23-24 V
OPERATING TEMP RANGE:	5°F TO 104°F (-15°C TO 40°C)
DIMENSIONS:	4 1/8" H x 3/4" W x 1 7/32" D (105mm x 20mm x 31mm)

## ORDERING INFORMATION

CX-EL0955:	ELECTRIC STRIKE FOR GLASS DOORS, 12 VDC, FAIL SECURE
CX-EL0958:	ELECTRIC STRIKE FOR GLASS DOORS, 24 VDC, FAIL SECURE