

CX-22 DUAL FUNCTION RELAY

RESTROOM DOOR CONTROLLER AND BI-DIRECTIONAL DOOR SEQUENCER



CX-22

FEATURES

- COMPACT, USER-FRIENDLY DUAL-FUNCTION RELAY DESIGNED TO:
 - A) SEQUENCE TWO AUTOMATIC DOORS IN BOTH DIRECTIONS AND,
 - B) CONTROL RESTROOM DOORS IN SHARED-USE FACILITIES.
- MICRO-PROCESSOR CONTROLLED
- 2 MODE SELECTOR SWITCH
- 3 ADJUSTABLE TIMERS, 1-30 SECONDS EACH
- LED'S FOR VISUAL CONFIRMATION
- MAY BE USED ON NORMALLY LOCKED AND NORMALLY UNLOCKED DOORS
- 12-24V AC/DC
- SPDT CONTACTS RATED 3 AMPS @ 30V DC
- ACCEPTS WET AND DRY INPUTS
- USE WITH FAIL-SAFE AND FAIL-SECURE LOCKS
- DIMENSIONS: 2 1/4" x 3 1/4" x 3/4" (57mm x 83mm x 19mm)

DESCRIPTION

Camden Door Controls CX-22 is a dual function relay – it is a restroom door controller, and a bi-directional door sequencer. It is designed to be versatile yet user-friendly with easy-to-understand terminology and adjustments.

The inputs may be either dry or wet, (or both). Three terminal radio receivers may be connected without fear of short-circuits.

APPLICATIONS

APPLICATION MODE 1 – RESTROOM DOOR CONTROLLER

Use this mode when using a barrier-free door operator on a single-occupant restroom. Once inside the restroom, the user presses a "Push to Lock" switch (ie - CM-400/8), which signals the relay to lock the door, and disables the exterior wall switch. Exiting the restroom can be done manually, via the lever handle set, or by pressing the interior wall switch, thereby resetting the controller.

The CX-22 may also be used to control normally secure restrooms (for example, staff restrooms in office building, restrooms in doctor offices, etc)

APPLICATION MODE 2 – BI-DIRECTIONAL DOOR SEQUENCER

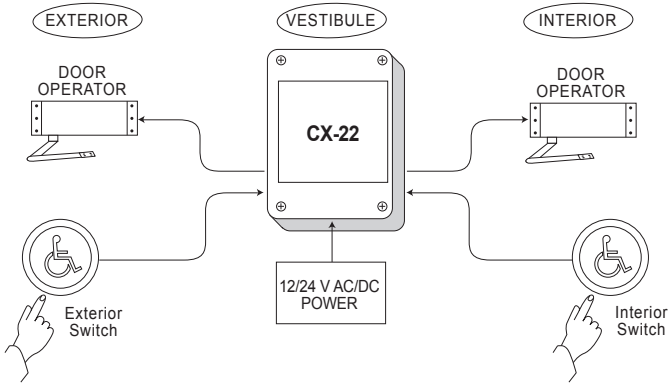
Use this mode to sequence two automatic doors in both directions. The delay hold time and sequence delays are all adjustable. The user/installer can also add an anti-entrapment switch if so desired.

Applications include libraries, hospitals, nursing homes, restaurants, hotels, etc.

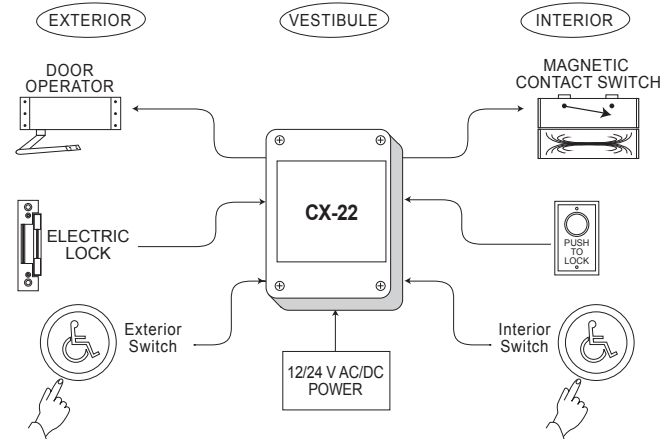
CX-22 DUAL FUNCTION RELAY

TYPICAL APPLICATION

DOOR SEQUENCER

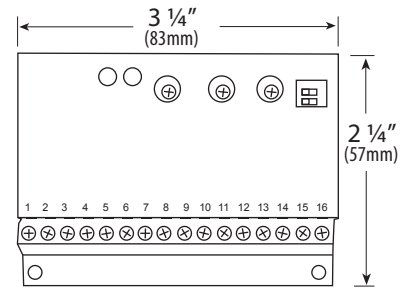


RESTROOM DOOR CONTROL



SPECIFICATIONS

DIMENSIONS:	3 1/4" H x 2 1/4" W x 3/4" D (83mm x 57mm x 19mm)
MOUNTING:	DOUBLE SIDED FOAM TAPE
ENCLOSURE:	WRAP AROUND SLEEVE
OPERATING VOLTAGE:	12 TO 24 VOLTS AC/DC
CURRENT DRAW:	20 MA IDLE, 60 MA OPERATING
RESPONSE TIME:	.3 SECONDS
INPUT:	N.O. WET OR DRY CONTACTS X 4
RELAY OUTPUTS:	2 X FORM 'C' (SPDT)
CONTACT RATING:	3 AMPS @ 30V DC
ELECTRICAL LIFE:	100,000 @ RATED CAPACITY
TIME DELAYS:	#1 - 1 - 30 SECONDS #2 - 1 - 30 SECONDS #3 - 1 - 30 SECONDS



FRONT VIEW

3/4"
(19mm)



SIDE VIEW