

# CX-DH-LBRK Floor Door Hold Bracket

## INSTALLATION INSTRUCTIONS

### THIS PACKAGE INCLUDES:

- 1 - Floor Door Hold Bracket
- 4 - #8 x 1-1/2" Screws
- 4 - M5 x 16mm Screws
- 4 - M5 x 6mm Screws
- 4 - M5 x 6mm Screws
- 2 - M6 x 75mm Steel Stud Anchors
- 4 - Anchors



### 1. GENERAL DESCRIPTION

The Camden CX-DH-LBRK Floor Door Hold Bracket is an angle bracket mounting accessory that allows the CX-95S-DH Magnetic Door Holder to mount on any type of floor.

### 2. SPECIFICATIONS

Dimensions	4-1/2" W x 3-9/16" L x 1-3/4" D (114.0mm x 90.2mm x 44.1mm)
Mounting Orientation	<ul style="list-style-type: none"> <li>Inside: Door Holder installed on the side of the Floor Door Hold Bracket mounting base</li> <li>Outside: Door Holder installed opposite the side of the Floor Door Hold Bracket mounting base.</li> </ul>

### 3. DIMENSIONS

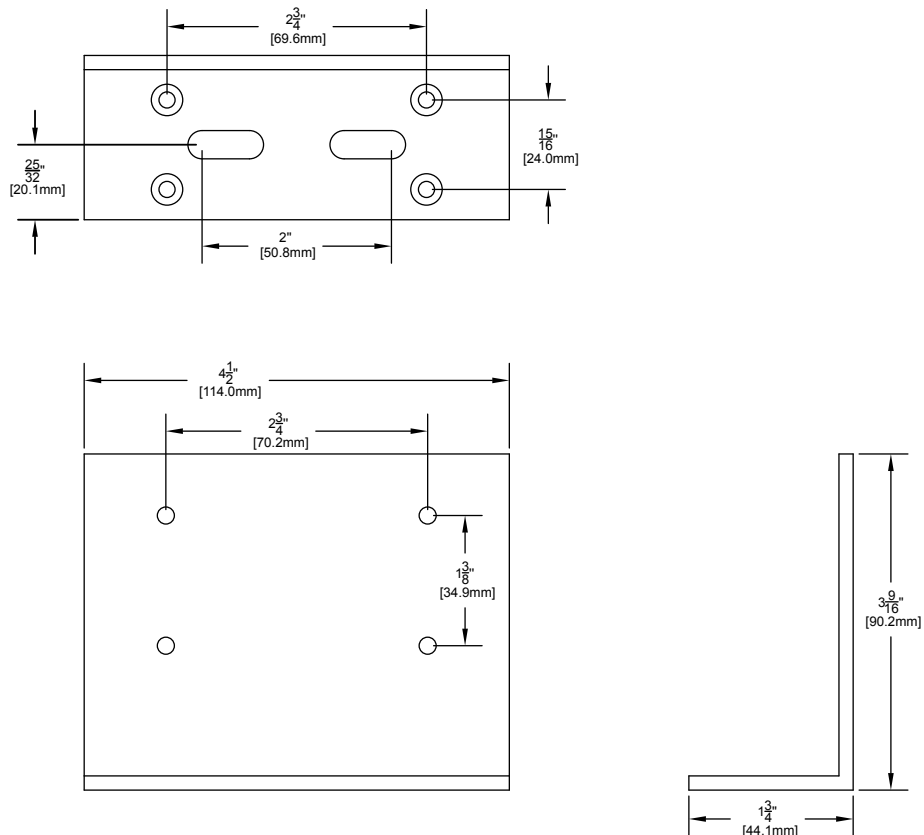


Figure 3.1 Dimensions



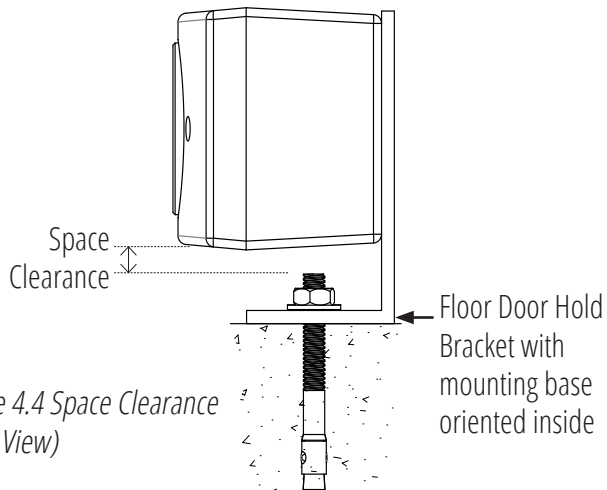


Figure 4.4 Space Clearance (Side View)

**Affix the Magnetic Door Holder to the Floor Mount Bracket:**

10. Align the Magnetic Door Holder back box with the four (4) threaded M5 holes on the Floor Door Hold Bracket and let the connecting wires pass through the center hole. (Figure 4.5)
11. Fasten the Magnetic Door Holder back box to the Floor Door Hold Bracket with the four (4) M5 screws.

**Magnetic Door Holder installation:**

12. Refer to CX-955-DH Magnetic Door Holder Manual for instructions to proceed with the Magnetic Door Holder and Armature Plate installation.

- Important Notes:**
- **Space clearance between concrete anchor bolt and Magnetic Door Holder:** Ensure the fastened concrete bolt anchors do not touch the installed Magnetic Door Holder.
  - **Wiring connection:** Insert and pass the connecting wires through the center hole of the attached Magnetic Door Holder back box and the Floor Door Hold Bracket.

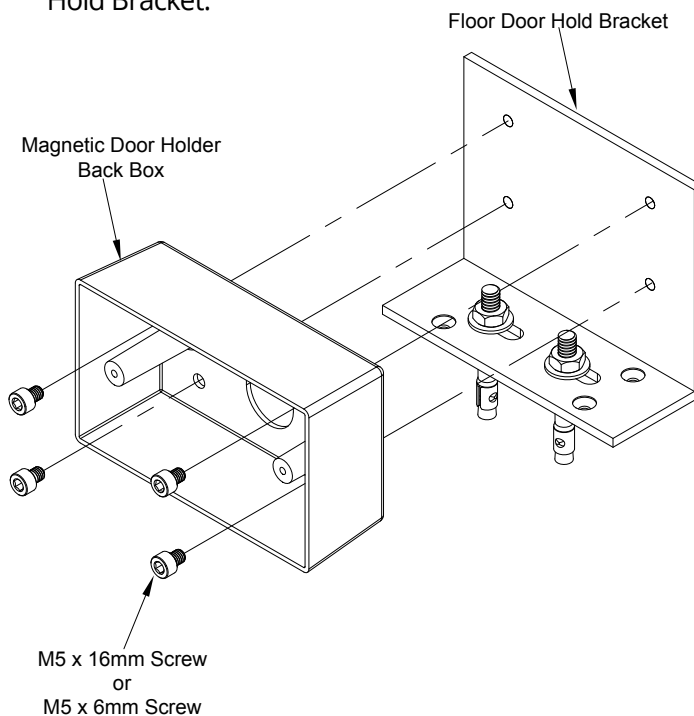


Figure 4.5 Back Cover Installation

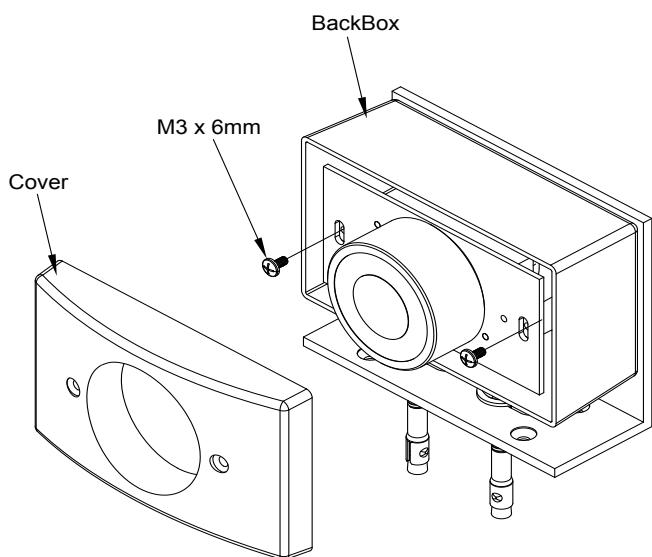


Figure 4.6 Door Holder Install

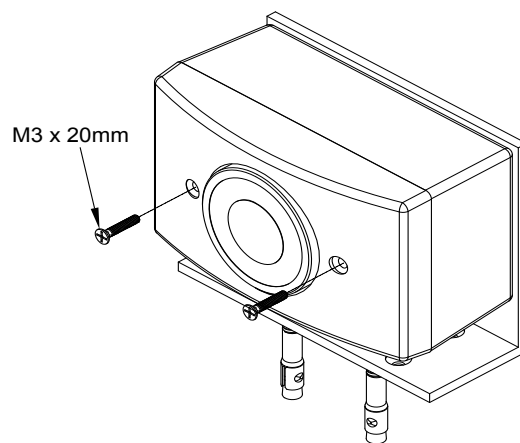


Figure 4.7 Bracket with Door Holder