

Magnetic Door Holders

3" and 7" Extension Bars for CX-95S-DH

INSTALLATION INSTRUCTIONS

THIS PACKAGE INCLUDES:

- 1 x 3" and 7" Extension bars
- 1 x Installation Manual

1. GENERAL DESCRIPTION

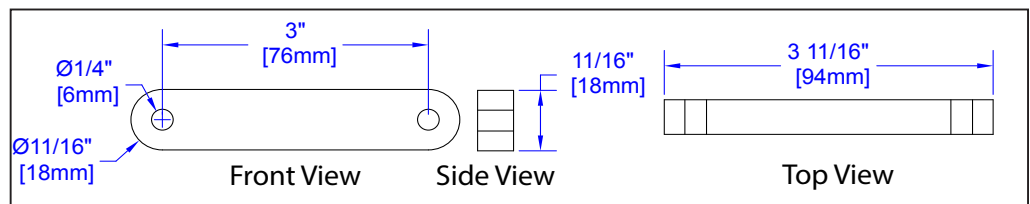
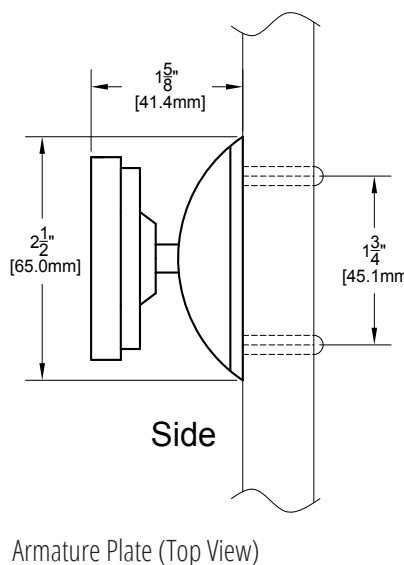
The Camden Door Magnetic Holder comes with an included 1" bar which, combined with the separately sold 3" and 7" extension bars, allows for a great deal of versatility in installation. This range of extension bars caters to a variety of door designs and wall distances, ensuring that your magnetic holder can be installed in virtually any setting.

The extension bars can be easily affixed to the armature of the magnetic holder. This attachment can increase the size of the armature, thereby bridging the gap between the armature plate and the door holder. This versatility makes it possible to create a secure and effective magnetic alignment regardless of the distance between the armature plate and the door holder.

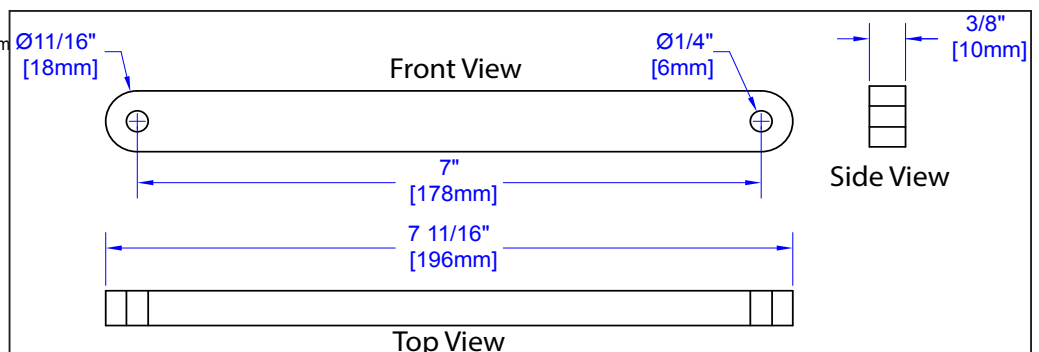
2. INSTALLATION

Here are the steps for the installation of the extension bar:

- 1. Check Existing Bar:** Verify that the existing 1" bar is firmly attached to the armature plate.
- 2. Identify Extension Bar Requirements:** Measure the gap between the armature plate and the door holder. If the gap is larger than the 1" bar can accommodate, select the appropriate extension bar size (3" or 7") for your installation.
- 3. Remove Existing Bar:** If an extension bar is needed, remove the existing 1" bar from the armature plate using hex key.
- 4. Align Extension Bar:** Position your chosen extension bar on the armature plate so that the holes on the bar align with the mounting holes of the armature plate. Once the holes are aligned, tight it with the screw and hex nut.
- 5. Realign Armature and Holder:** Align the armature with the door holder, taking into account the added length of the extension bar.
- 6. Secure Connection:** Double-check all connections and mountings to confirm the extension bar is securely installed and the armature aligns well with the door holder.



CX-95S-3E: Magnetic Door Holder Extension Bar 3"



CX-95S-7E Magnetic Door Holder Extension Bar 7"