

## Installing the CX-1013 U-Bracket

1. Place the steel bushing with rubber backing against the glass door as shown in Figure 1.
2. Use the 3 headless screws to clamp the U-Channel to the glass door.
3. Insert the aluminum bar and attach the armature plate (provided with the maglock). The aluminum bar can be adjusted to match the position of the maglock.

NOTE: Do not attach the mounting screw of the armature plate too firmly. Allow floating movement for maximum holding force.

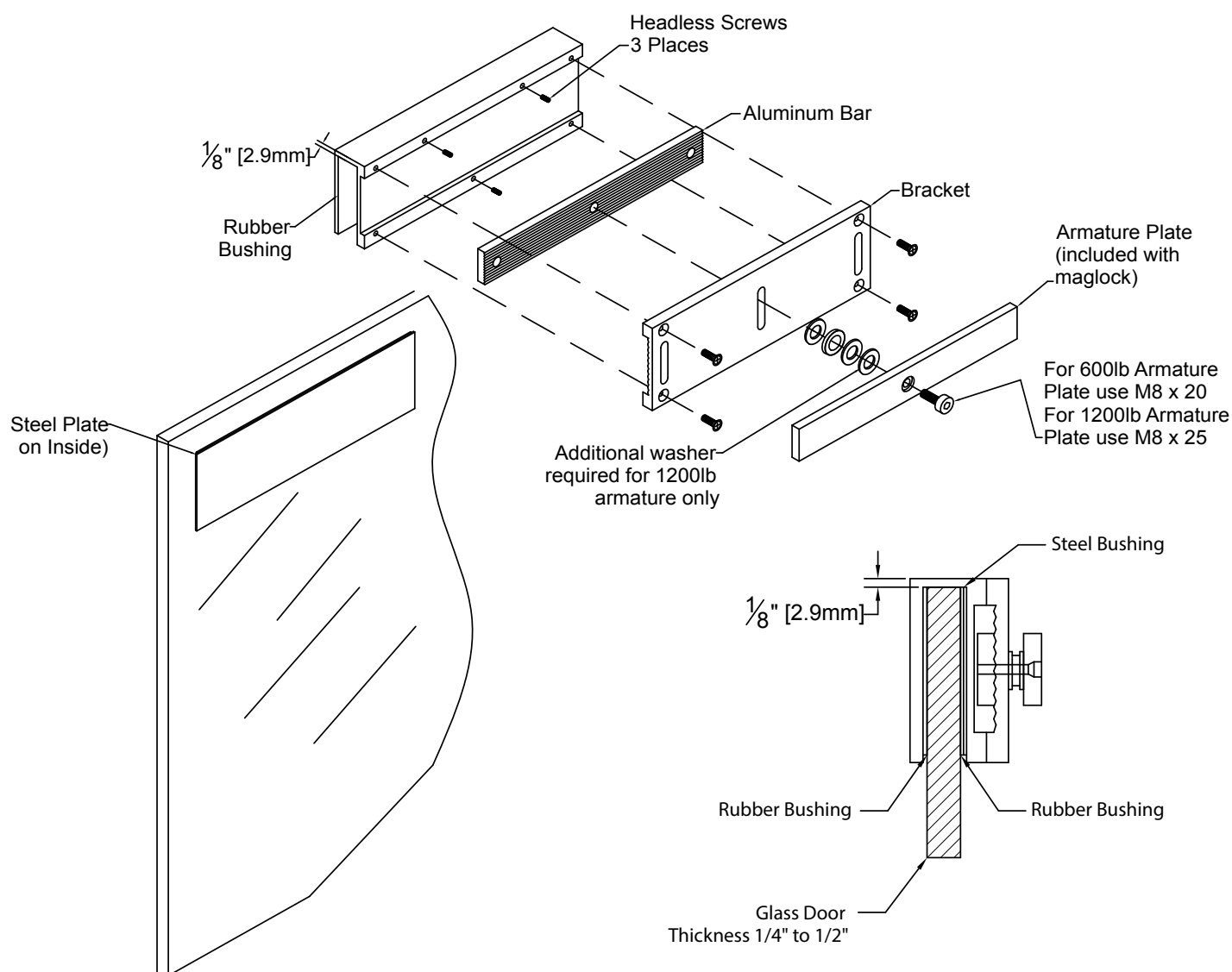
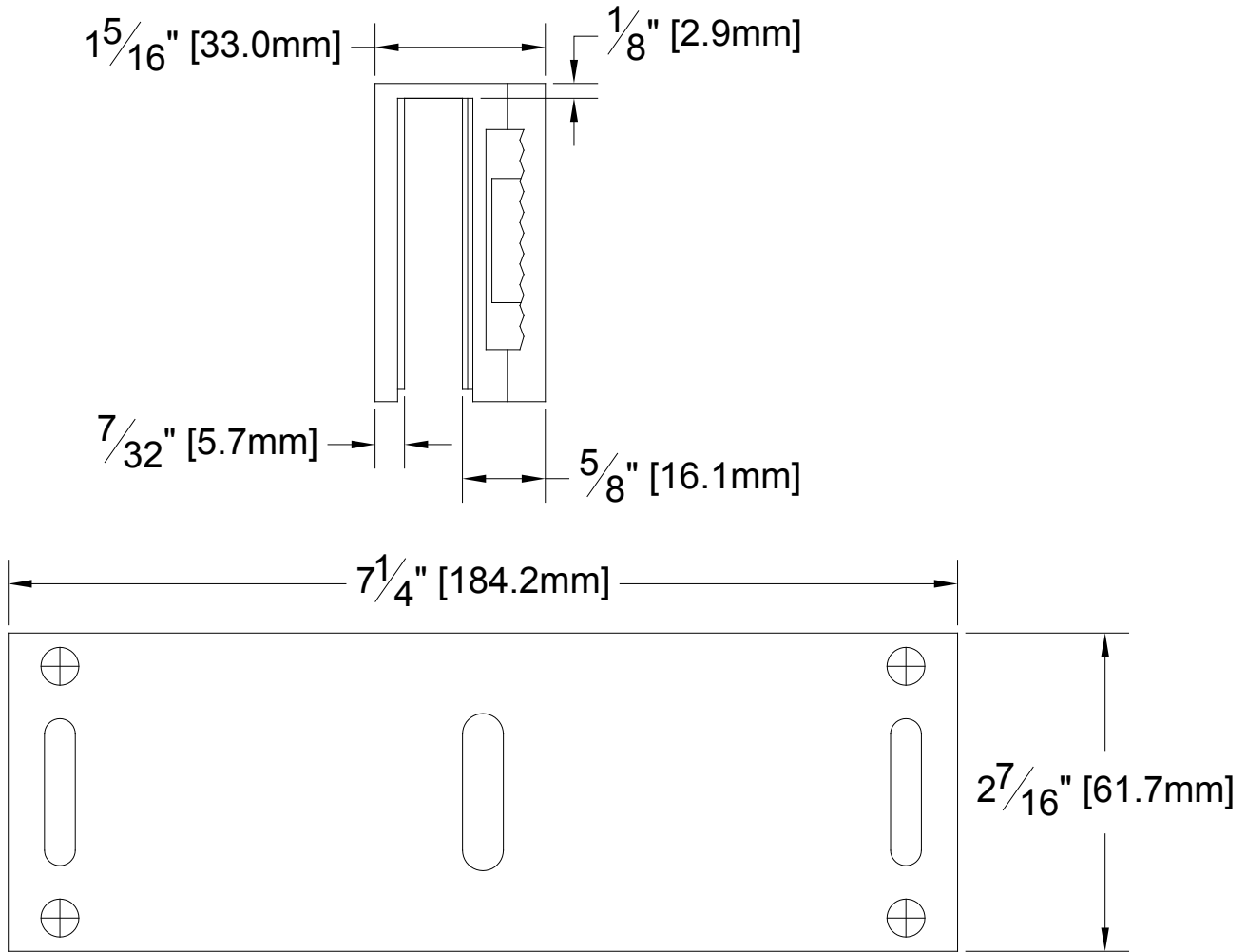


Figure 1 - Assembly Drawing



**Do you have any questions? Call Support at 1-877-226-3369**



Push Buttons



Keypads



Strikes



Magnetic Locks



Key Switches



Relays & Timers



Access Control



5502 Timberlea Blvd.,  
Mississauga, ON Canada  
L4W 2T7

www.camdencontrols.com  
Toll Free: 1.877.226.3369

File: CX-1013\_NF\_Man\_Rev2.indd  
Revised: Tuesday, July 08, 2014  
Part No.: 40-82B109