

CM-9800

Touch Button Switch

INSTALLATION INSTRUCTIONS



/3 Graphic Option



/7 Graphic Option

SL NO	Component Name	Quantity
1	Wall plug 6mm	3
2	Wall fixing screw 4 x 30mm	3
3	3 x 6 Security Screw	1
4	IN4007 diode	1
5	470nf Capacitor	1
6	10K Res 1/2w	1
7	Security screw driver	1
8	6-32 x 1" Machine screw	2
9	Mounting Template	1

1. GENERAL DESCRIPTION

CM-9800 is a request-to-exit switch, It will work independently (standalone) or can equally be connected via a controller to provide exit from a secured area (Push Button Input). With its slim looks and die-cast metal body, the CM-9800 combines elegance and aesthetics with ruggedness and reliability.

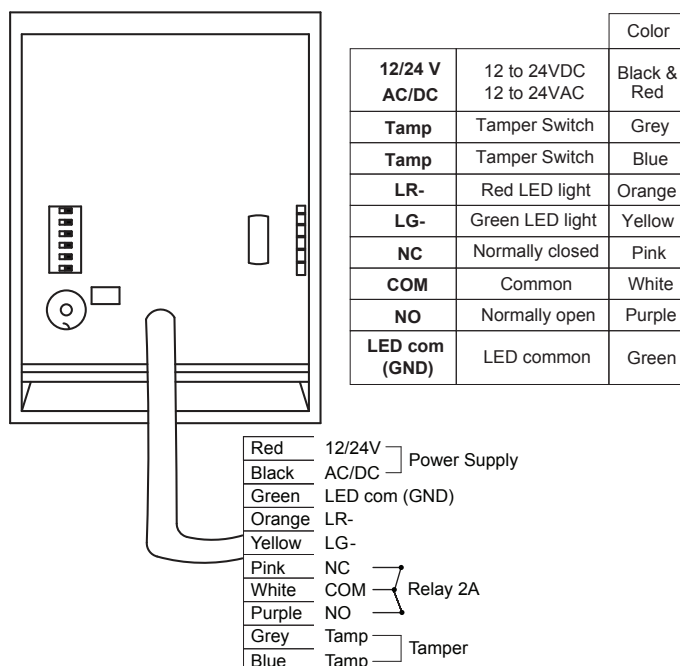
2. SPECIFICATIONS

Input Voltage	12-24V AC/DC
Current Consumption	Max. 65mA
Relay Output	2A at 24V DC / 120V AC
Set Relay Time	0.5 to 60 seconds or Toggle (ON/OFF)
Indicators-LED	Orange, red, green
LED Control	Yes, by DIP switch
Tamper	Yes
Backlight ON/OFF	Yes, by DIP switch
Buzzer ON/OFF	Yes, by DIP switch
Operating Temperature	-4°F to 122°F (-20°C to 50°C)
Operating Humidity	Non-condensing up to 95%
Housing	Die-cast Aluminium alloy
Touch Plate	Mild Steel Painted
Protection	IP66
Dimension	3.34" W x 4.5" L x 1/32" H (85mm x 116.6mm x 22.6mm)

3. MOUNTING

1. Identify a suitable location on wall or flat surface.
2. Stick the Drilling Template provided on chosen location.
Drill 3 holes as indicated in the diagram.
3. Insert 3 nos. of 6 mm wall plugs provided into the drilled holes.
4. Route the cables through the holes provided in the BackPlate.
5. Fix the Backplate firmly on the wall using 3nos. of 4 x 30mm CSK screws
6. Connect wires.
7. After wiring, place the Housing over the fixed backplate and guide the slot into the backplate tab and slide it downwards.
8. Fix the Housing to the Back-Plate with a M3 x 6 mm Security Screw on the bottom of the Housing using a Security Screwdriver provided.

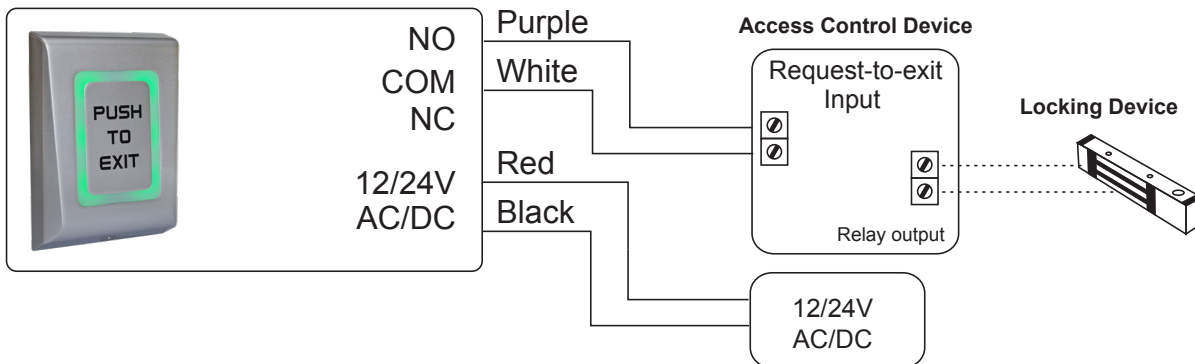
Important Note: Several layers of protection are provided against transient voltages from static discharge, lightning and power supply spikes. For protection to be fully effective, earth grounding should be done correctly.



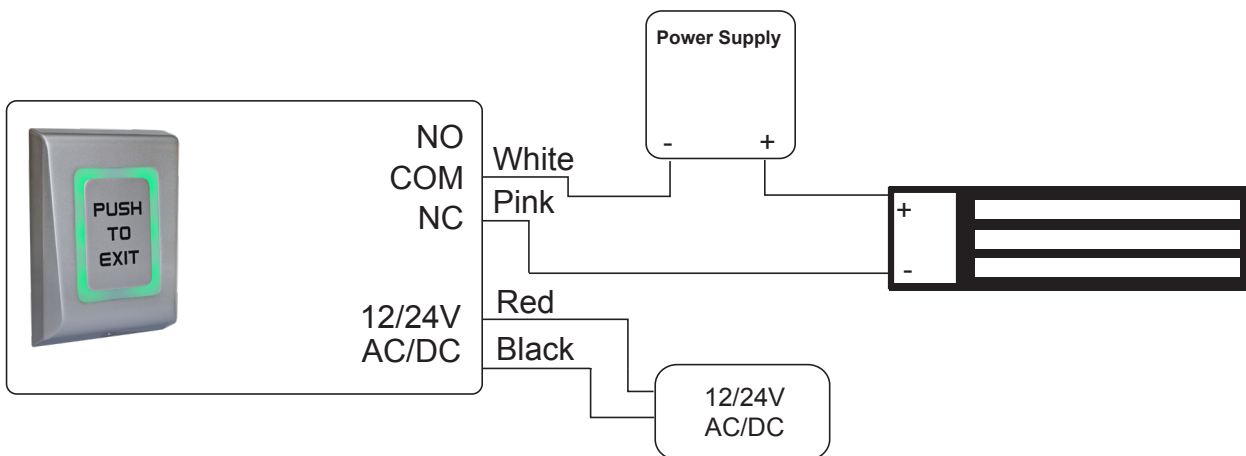
CM-9800 TOUCH BUTTON SWITCH

INSTALLATION INSTRUCTIONS

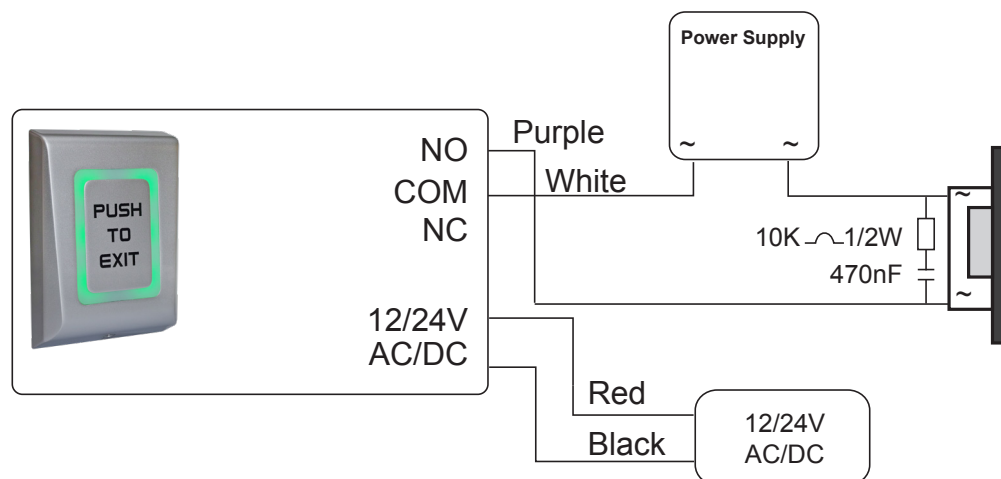
CONNECTION TO ACCESS CONTROL PANEL



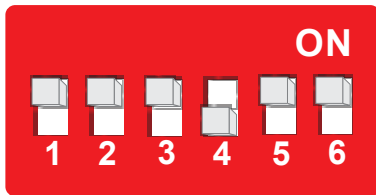
OUTPUT CONNECTION FOR DC DEVICE - FAIL OPEN



OUTPUT CONNECTION FOR AC DEVICE - FAIL SECURE



DIP SWITCH SETTINGS



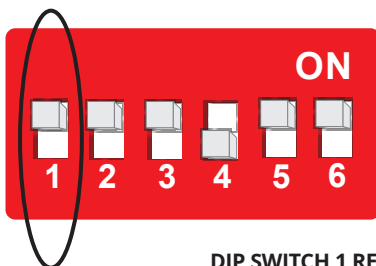
- 1 – Relay Time (0.5 to 60 seconds or toggle mode)
- 2 – not used
- 3 – Buzzer ON/OFF
- 4 - Backlight ON/OFF
- 5 - LED Control
- 6 – Default state – State of the controller's input for the LEDs

SET RELAY TIMER – DIP SWITCH 1

CM-9800 operates in Toggle or Pulse mode. The time is set by **Dipswitch 1 Setting**.

Put the Switch 1 in position ON. The unit will start emitting beeps. Count the beeps and then stop them by positioning the Switch 1 to OFF. The number of beeps defines the relays time, according to the table below (2 beeps - 0.5 sec, 3 beeps - 1 sec...).

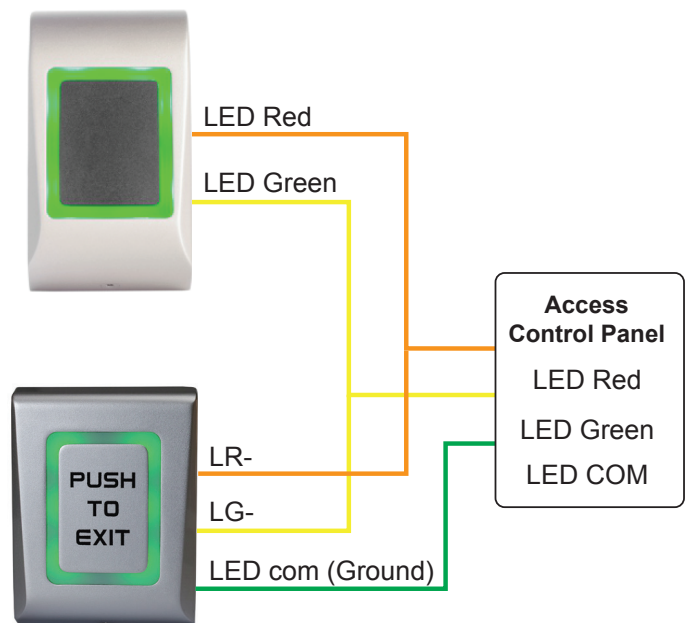
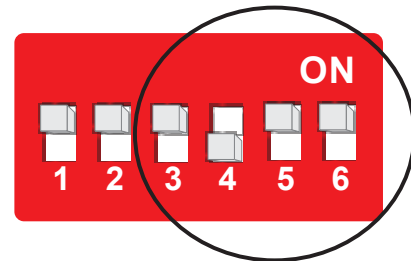
Switch 1	Number of Beeps	Time
ON	1 beep	Toggle Mode (ON/OFF Mode)
ON	2 beeps	0.5 Seconds
ON	3 beeps	1 Seconds
ON	4 beeps	2 Seconds
ON	5 beeps	5 Seconds
ON	6 beeps	10 Seconds
ON	7 beeps	15 Seconds
ON	8 beeps	30 Seconds
ON	9 beeps	45 Seconds
ON	10 beeps	60 Seconds



DIP SWITCH 1 RELAY TIME

BUZZER, BACKLIGHT AND LED CONTROL

Position 3, 4, 5, and 6 On Dip Switch



Example of externally controlled LED light, where the exit button's light follows the reader's light.

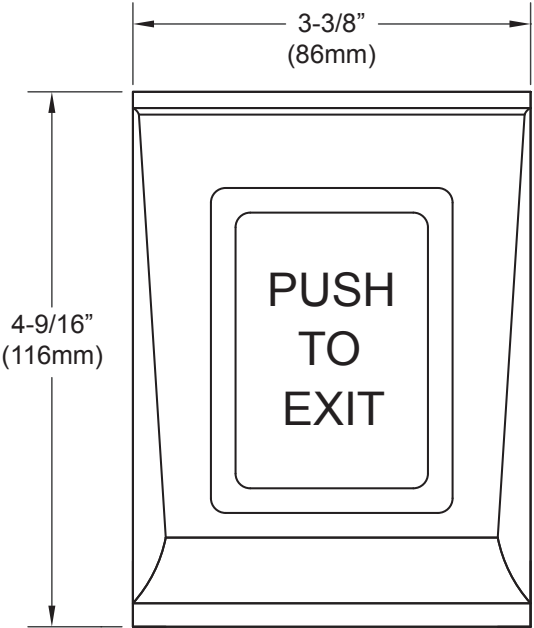
CM-9800 TOUCH BUTTON SWITCH

INSTALLATION INSTRUCTIONS

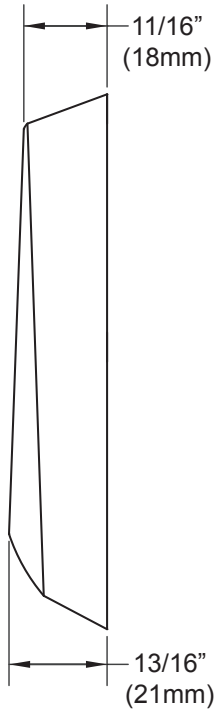
SW3	Buzzer	SW 4 Backlight	SW 5 LED Control	SW 6 Default State	Relay	Green-Yellow Wire	Red-Orange Wire	Backlight
ON	ON	-	-	-	-	-	-	-
OFF	OFF	-	-	-	-	-	-	-
-	-	OFF	OFF	-	ON	-	-	Green
-	-	OFF	OFF	-	OFF	-	-	No Light
-	-	ON	OFF	-	ON	-	-	Green
-	-	ON	OFF	-	OFF	-	-	Red
Default High								
-	-	ON	ON	OFF	-	Hi	Hi	Orange
-	-	ON	ON	OFF	-	Low	Hi	Green
-	-	ON	ON	OFF	-	Hi	Low	Red
-	-	ON	ON	OFF	-	Low	Low	No Light
Default High								
-	-	OFF	ON	OFF	-	Hi	Hi	No Light
-	-	OFF	ON	OFF	-	Low	Hi	Green
-	-	OFF	ON	OFF	-	Hi	Low	Red
-	-	OFF	ON	OFF	-	Low	Low	Orange
Default Low								
-	-	ON	ON	ON	-	Hi	Hi	No Light
-	-	ON	ON	ON	-	Low	Hi	Green
-	-	ON	ON	ON	-	Hi	Low	Red
-	-	ON	ON	ON	-	Low	Low	Orange
Default Low								
-	-	OFF	ON	ON	-	Hi	Hi	Orange
-	-	OFF	ON	ON	-	Low	Hi	Red
-	-	OFF	ON	ON	-	Hi	Low	Green
-	-	OFF	ON	ON	-	Low	Low	No Light

CM-9800 TOUCH BUTTON SWITCH

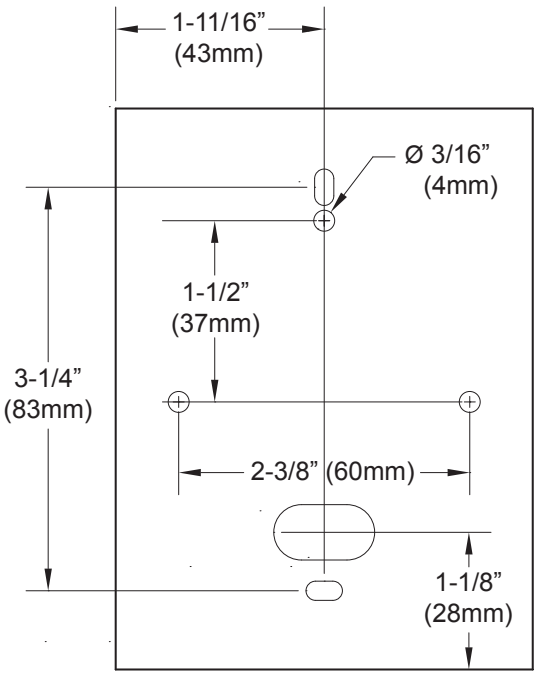
INSTALLATION INSTRUCTIONS



FRONT VIEW



SIDE VIEW



BACK VIEW