











Transformer Models

	Model	Description
	CX-TRN-2024	24 VAC, 20 VA nipple mount transformer 
	CX-TRX-2024	24 VAC, 20 VA fused, standard mount transformer 
	CX-TRX-2012 CX-TRX-4024	12 VAC, 20 VA standard mount transformer 24 VAC, 40 VA standard mount transformer 
	CX-TRP-2024 CX-TRP-4012 CX-TRP-4016	24 VAC, 20 VA plug-in transformer 12 VAC, 40 VA plug-in transformer 16 VAC, 40 VA plug-in transformer 
	CX-5024	Rectifier, (AC-DC Converter) 50 VA

Wiring Instructions

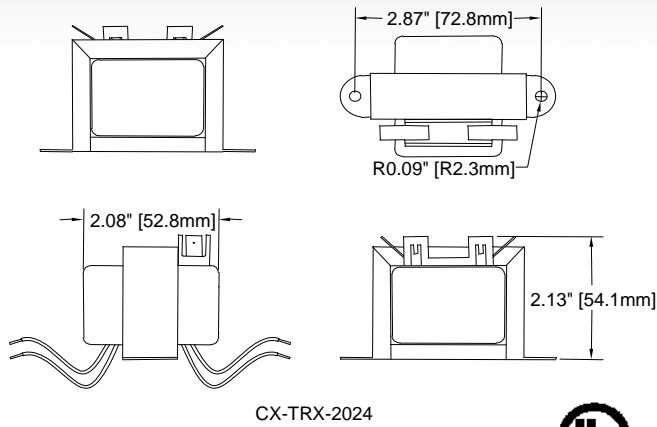
1. Determine the size and type of transformer needed, from the chart above.
2. Connect the fuse holder to one of the leads of the transformer secondary insert fuse. (For CX-TRX-2024 only).
3. Connect the secondary leads to the load (i.e. – motion detector, control panel or other device).
4. Once all of the secondary wiring is complete, connect the primary leads to the 115 VAC, 60 Hz.
5. Ensure transformer is securely fastened.

NOTE: For 50 Hz applications, please contact Camden Door Controls for special order transformers.

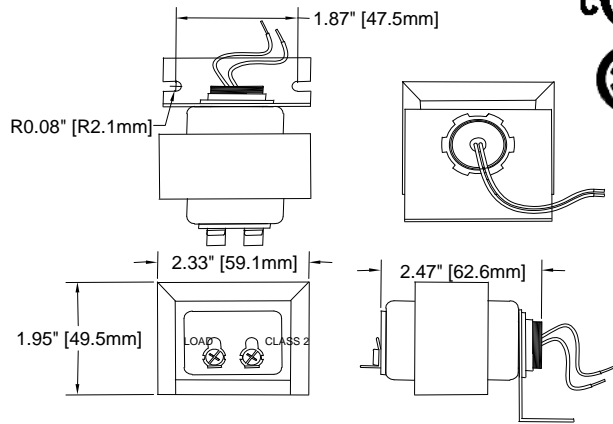
Precautions

1. Primary power must always be fused or protected by a Circuit Breaker.
2. Never place the transformer next to combustible materials.
3. Do not short secondary leads together or allow them to short to ground.

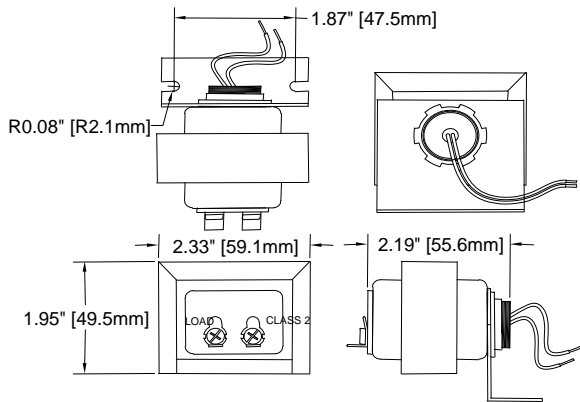
Standard Mount Transformers



CX-TRX-2024

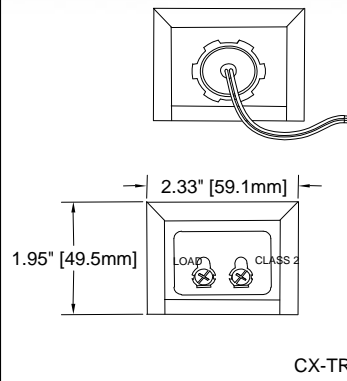


CX-TRX-4024



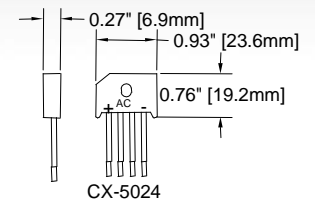
CX-TRX-2012

Nipple Mount Transformer



CX-TRN-2024

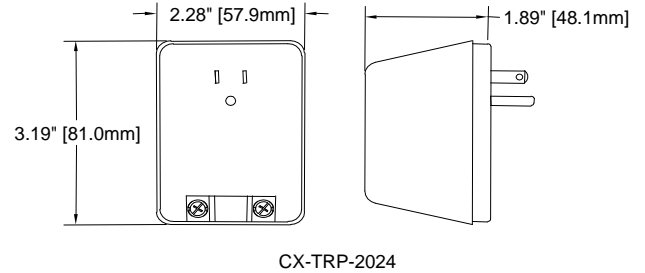
Rectifier



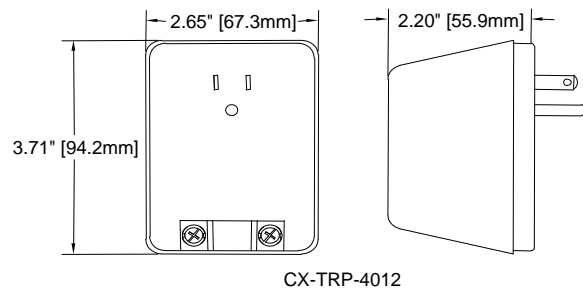
CX-5024



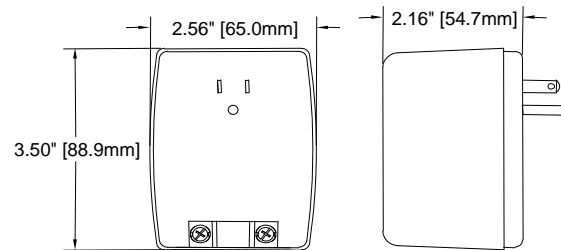
Plug-In Transformers



CX-TRP-2024



CX-TRP-4012



CX-TRP-4016



Push Buttons



Key Pads



Strikes



Magnetic Locks



Key Switches



Relays & Timers



Access Control