

THE FIRST 'CHANGING STATE' ILLUMINATED PUSH PLATE KITS

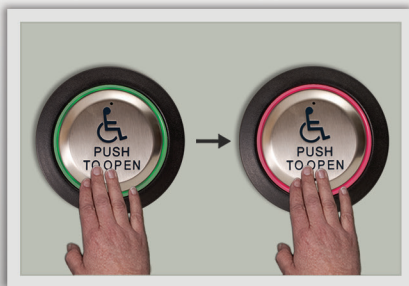


**NOW AVAILABLE IN
SURFACE, FLUSH, SQUARE
AND ROUND!**



AURA™
BY CAMDEN

CAMDEN'S INDUSTRY LEADING AURA™ LED illuminated push plate enclosures are designed to provide maximum visibility in both surface and flush mount applications. Aura™ switch enclosures offer field selectable green/red/off illumination which is activated directly (by switch) or remotely (by control relay or access control system). They also provide audio and visual confirmation, and a Form 'C' contact.



- Surface and flush mounting enclosures
- Flame and impact resistant construction
- Compatible with any Camden CM-40, CM-45 or CM-46 series push plate switch
- Super-bright, high efficiency LED technology
- Selectable 12/24V AC/DC operation
- Selectable audible sounder to confirm switch activation
- Easy connection of Lazerpoint RF™ wireless transmitter for retrofit applications
- Option for color restroom signage

Camden
DOOR CONTROLS

DISCOVER THE BEST IN DOOR ACTIVATING AND LOCKING PRODUCTS!

TOLL FREE: 1.877.226.3369 • Tel: 905.366.3377 • Fax: 905.366.3378
info@camdencontrols.com • www.camdencontrols.com/aura



ILLUMINATED PUSH PLATE KITS

ORDERING INFORMATION

AURA™ ILLUMINATED ENCLOSURES

(Switches, sold separately)

CM-54B	Surface square illuminated, blue only
CM-54GR	Surface square illuminated, green/red, sounder
CM-55B	Flush square illuminated, blue only
CM-55GR	Flush square illuminated, green/red, sounder
CM-57GR	Flush round illuminated, green/red, sounder

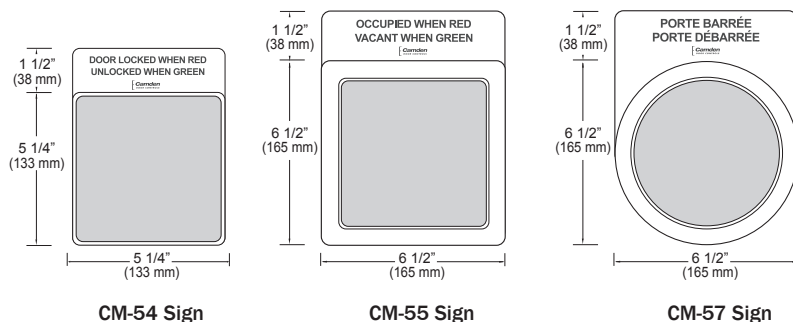
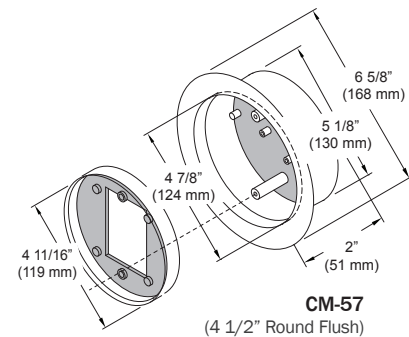
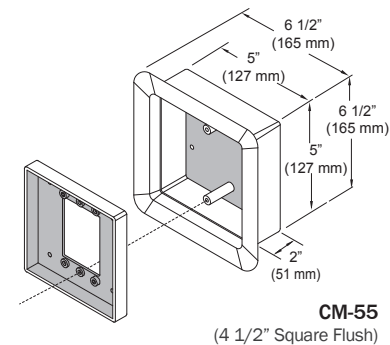
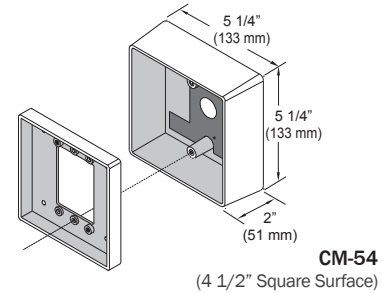
AURA™ ILLUMINATED PUSH PLATE KITS

(X denotes graphic option, 1=plain, 2=wheelchair, etc.)

CM-40/X/FGR	Round, flush illuminated mounting box (CM-57) with 4 1/2" round push plate switch
CM-45/X/SGR	Square, surface illuminated mounting box (CM-54) with 4 1/2" square push plate switch (concealed screws)
CM-45/X/FGR	Square, flush illuminated mounting box (CM-55) with 4 1/2" square push plate switch (concealed screws)
CM-46/X/SGR	Square, surface illuminated mounting box (CM-54) with 4 1/2" square push plate switch (exposed screws)
CM-46/X/FGR	Square, flush illuminated mounting box (CM-55) with 4 1/2" square push plate switch (exposed screws)

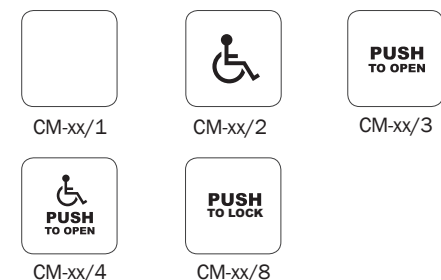
AURA™ RESTROOM CONTROL SIGNS

CM-SE1	English, for CM-54 square surface illuminated mounting box. Double sided sign: 'DOOR LOCKED WHEN RED' / 'UNLOCKED WHEN GREEN' and 'OCCUPIED WHEN RED' / 'VACANT WHEN GREEN'
CM-SF1	French, for CM-54 square surface illuminated mounting box. Double sided sign: 'PORTE BARRÉE' / 'PORTE DÉBARRÉE' and 'OCCUPÉ' / 'LIBRE'
CM-SFE1	English, for CM-55 square flush illuminated mounting box. Double sided sign: 'DOOR LOCKED WHEN RED' / 'UNLOCKED WHEN GREEN' and 'OCCUPIED WHEN RED' / 'VACANT WHEN GREEN'
CM-SFF1	French, for CM-55 square flush illuminated mounting box. Double sided sign: 'PORTE BARRÉE' / 'PORTE DÉBARRÉE' and 'OCCUPÉ' / 'LIBRE'
CM-FRE1	English, for CM-57 round flush illuminated mounting box. Double sided sign: 'DOOR LOCKED WHEN RED' / 'UNLOCKED WHEN GREEN' and 'OCCUPIED WHEN RED' / 'VACANT WHEN GREEN'
CM-FRF1	French, for CM-57 round flush illuminated mounting box. Double sided sign: 'PORTE BARRÉE' / 'PORTE DÉBARRÉE' and 'OCCUPÉ' / 'LIBRE'



GRAPHIC OPTIONS

Stock graphic options for CM-40, CM-45 and CM-46 push plate kits at no extra cost: /1, /2, /3, /4, /8



Refer to catalog or web site for additional cost of other stock graphic options.

Contact Camden customer service for custom graphics, not shown in catalog.