

CM-69-ADP1 Manual

INSTALLATION INSTRUCTIONS

THIS PACKAGE INCLUDES:

- (1) Extension Ring
- (1) Parts Kit

1. GENERAL DESCRIPTION

Camden Door Controls CM-69-ADP1 extension ring can be mounted with the CM-69S ABS Round enclosure and with the Camden CM-60 series 'all active' heavy-duty, ADA compliant door activation switches. These switches are UL/CSA approved and optional Weatherproof, watertight coating are available. The CM-69-ADP1 can also be mounted with the Camden 6" round, CM-331/42R-SGLR SureWave™ switch.

2. SPECIFICATIONS

Dimensions	CM-69-ADP1: 6-5/8" DIA x 1-3/8"D (167mm x 34mm)
------------	--------------------------------------------------------------

3. INSTALLATION

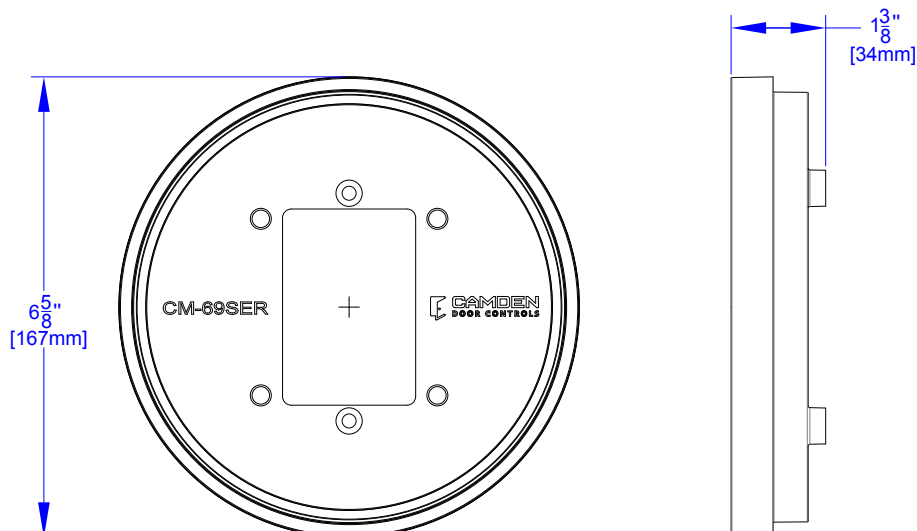
ACTIVE SWITCH INSTALLATION:

Firmly mount the Black polymer (ABS) box (Sold Separately) against a surface or a wall. Place the extension ring over the round enclosure. Align the crescents with the middle standoff of the round box to help keep the ring in place. Screw the two 6-32 x 1-1/2" screws through the ring and into the round box. Don't screw all the way, leave about 1/4" of room for the switch to be mounted. To place the switch onto the ring, start with the bottom, slide the groove at the bottom of the backplate over the screw then put the top screw through the cut-out at the top of the backplate and slide the switch down. Take a screwdriver or the supplied hex key and tighten the socket head screws, securing the switch in place.

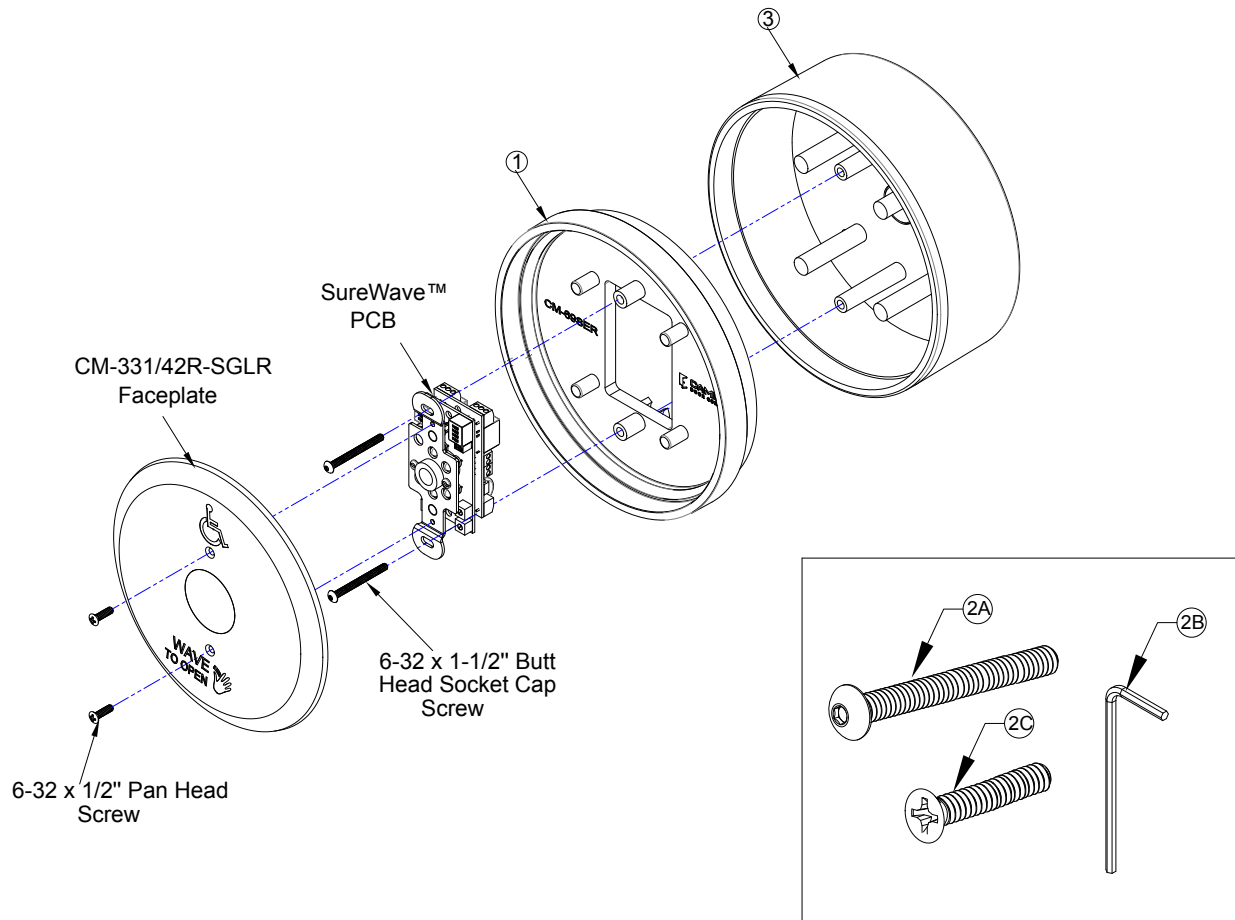
CM-331/42R, SUREWAVE™ INSTALLATION:

Firmly mount the Black polymer (ABS) box (Sold Separately) against a surface or a wall. Place the extension ring over the round enclosure. Align the two slotted holes on the SureWave™ PCB with the two extension ring mounting standoffs. Use the two 6-32 x 1-1/2" screws, going through the PCB slotted holes, the extension ring and into the mounted round Enclosure to tighten and keep in place. Use the two 6-32 x 1/2" Screws, through the faceplate to tighten the SureWave™ PCB.

4. CM-69SER SERIES FRONT AND SIDE VIEW



5. PARTS INFORMATION



MODEL NUMBERS			
ITEM NUMBER	MODEL NUMBER	QTY	DESCRIPTION
1.	60-40K002	1	CM-69S EXTENSION RING
PARTS KIT			
ITEM NUMBER	PART NUMBER	DESCRIPTION	
2.	60-34B098	(A) SMALL HEX KEY, 5/64" SHORT ARM (B) 6-32 X 1 1/2" BUTT HEAD SOCKET CAP SCREW (C) 6-32 X 1 1/4" FLAT HEAD PHILLIPS SCREW	
COMPATIBLE MOUNTING BOX OPTION			
3.	60-42C009	CM-69S SURFACE, ROUND STANDARD DEPTH, PROVISION FOR WIRELESS. BLACK POLYMER (ABS) FLAME AND IMPACT RESISTANT, 6-1/2" X 1-3/4" D	