

# CM-45 & CM-46 Series Push Plate

## INSTALLATION INSTRUCTIONS

### THIS PACKAGE INCLUDES:

- (1) "All Active" Push Plate
- (1) Parts kit



CM-45

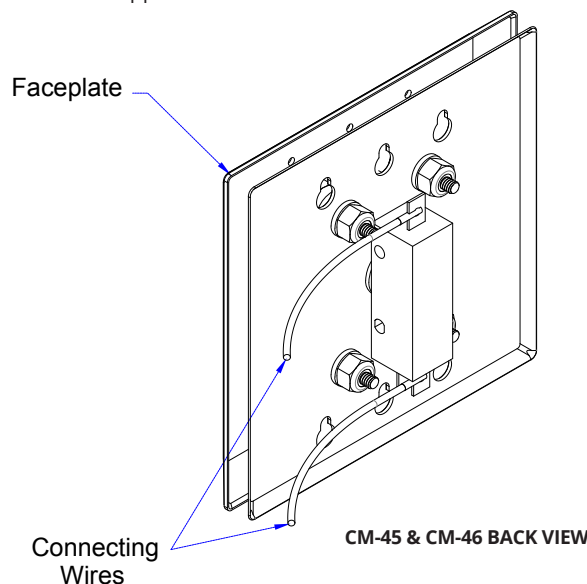


CM-46

### 1. GENERAL DESCRIPTION

Camden Door Controls CM-45/46 Series all-active switches are heavy-duty, ADA-compliant door controls. The 4 1/2" square faceplates are stainless steel or aluminum, and the assemblies are designed for easy installation. Both series mount to standard single gang or double gang electrical boxes. CM-45 series is sold as a complete assembly, which is mounted to the in-wall box (or surface box) using stainless steel Allen screws and a hex key (included with the switch). Access to the mounting screws is through small holes in the front of the faceplate. This provides for tamper resistance, while maintaining an attractive overall appearance. CM-46 series is sold as a two-part assembly. The rear assembly is mounted to the in-wall box (or surface box). The front faceplate is then screwed to the rear assembly using either standard or security screws (included with kit). The SPDT (and optional DPDT) switches are UL/CSA approved, and rated 15 amps @ 30 VDC. The push switches are offered with different graphics, and in various architectural finishes. Weather resistant, and watertight configurations are also available

They may also be used for shunting, bypassing alarms, request to exit, timed functions, and many other applications. The switches are made for high frequency usage, in both indoor and outdoor environments. Camden switches are versatile, and can be supplied in various configurations and finishes, to suit any commercial, industrial, or residential application.



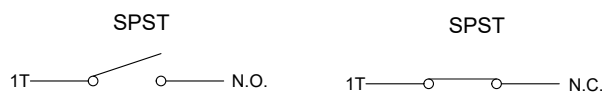
### 2. SPECIFICATIONS

Voltage	12/24 VDC
Contact Rating	15A @ 30 VDC
Contact Type	SPDT FORM 'C
Switch Type	Momentary
Standard Finish	CM-45, CM-46: Blue Paint CM-46CB: US32/630
Dimensions	<b>CM-45, CM-46 &amp; CM-46CB SERIES:</b> 4-1/2" H x 4-1/2"W x 1-1/4"D (114mm x 114mm x 32mm)

### 3. APPLICATION

Camden all-active switches are designed for areas where an easy-to-activate, high visibility switch is desired. Ideal for high-traffic areas, hospitals, wheelchair access, seniors' residences, etc. They can be surface or flush mounted. Camden all-active switches are designed to control electric strikes, electromagnetic locks, and automatic doors.

### 4. WIRING



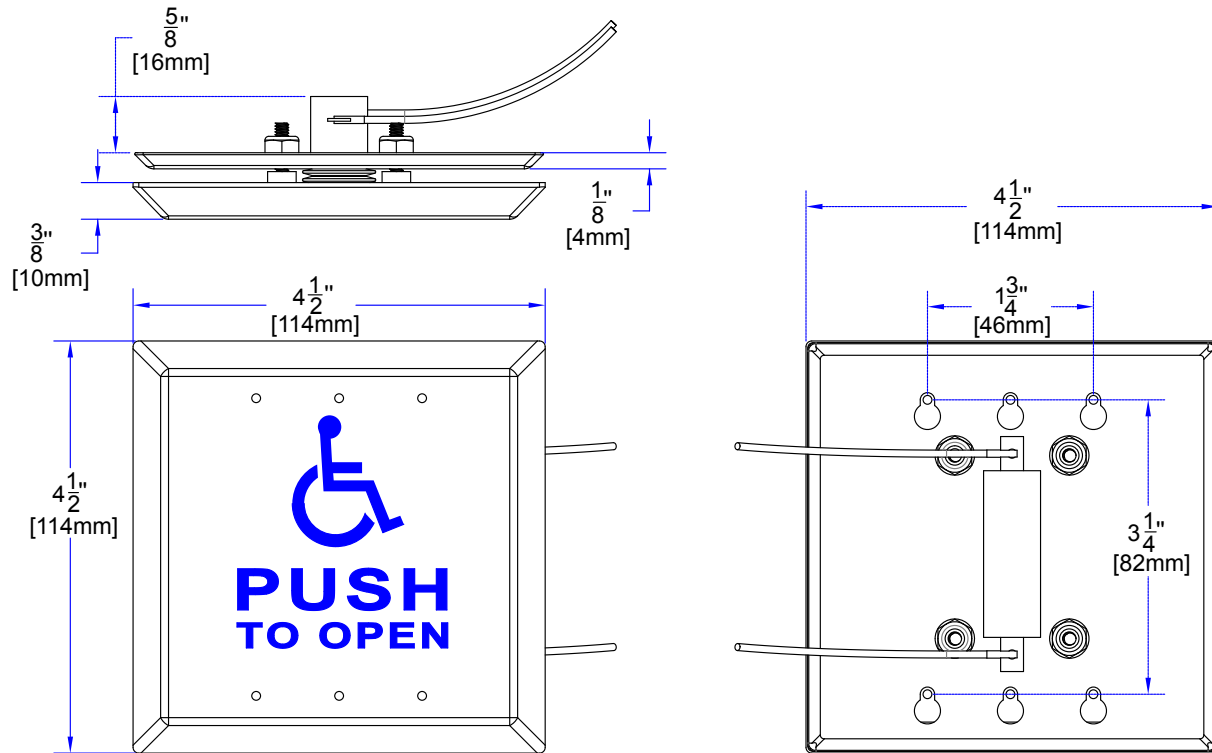
Momentary: When the switch is pressed the current pole will change to the opposite state until released.

WIRING LAYOUT & COLOR CODING		
SWITCH TYPE	SPST N.O.	SPST N.C.
COMMON	BLACK	BLACK
NORMALLY OPEN	BLACK	
NORMALLY CLOSED		BLACK

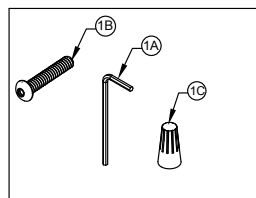
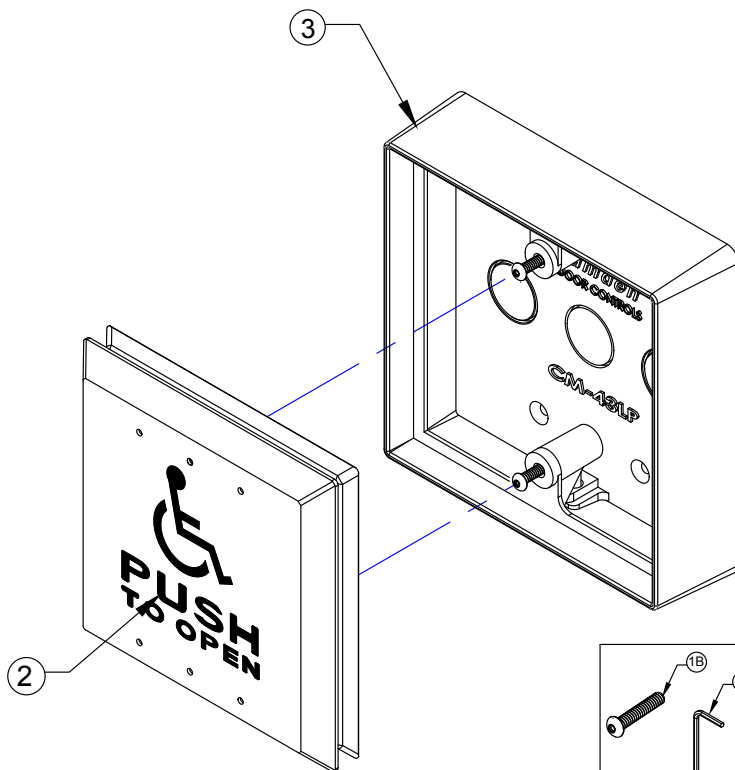
# CM-45 & CM-46 SERIES SERIES PUSH PLATE

## INSTALLATION INSTRUCTIONS

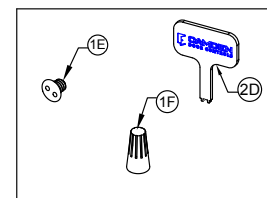
### 5. CM-45 & CM-46 SERIES FRONT AND BACK VIEW



### 6. PARTS INFORMATION



60-34B033: CM-45 Series Parts kit



60-34B056: CM-46 Series Parts kit

## CM-45 & CM-46 SERIES SERIES PUSH PLATE

### INSTALLATION INSTRUCTIONS

MODEL NUMBERS			
	MODEL NUMBER	QTY	DESCRIPTION
	CM-45 SERIES	1	4 1/2" SQUARE PUSH PLATE SWITCH
	CM-46 SERIES	1	4 1/2" SQUARE PUSH PLATE SWITCH, EXPOSED SCREWS
	CM-46CB SERIES	1	4 1/2" SQUARE BLUE PUSH PLATE SWITCH, WHITE GRAPHICS, EXPOSED SCREWS
PARTS KIT			
ITEM NUMBER	PART NUMBER	DESCRIPTION	
1.	<b>FOR CM-45 SERIES</b>		
	60-34B033	(A) SMALL HEX KEYS 5/64" SHORT ARM (B) 6-32 X 1-1/4 S/S BUT HD SOCKET CAP SCREW (C) GREY PLASTIC WIRE NUT C/W SPRING	
	<b>FOR CM-46 SERIES</b>		
	60-34B056	(D) SNAKE EYE TAMPER PROOF SCREW (E) 6-32 X 3/16" SNAKE EYE TAMPER PROOF SCREW (F) GREY PLASTIC WIRE NUT C/W SPRING	
FACE GRAPHICS OPTIONS			
ITEM NUMBER	PART NUMBER	DESCRIPTION	
2.	CM-XX/1	BLANK STAINLESS-STEEL FACEPLATE ON THE CM-45, CM-46 & CM-46CB SERIES	
	CM-XX/2	WHEELCHAIR LOGO IN BLUE ON THE CM-45 & CM-46 SERIES, IN WHITE ON THE CM-46CB SERIES	
	CM-XX/A2	ACTIVE WHEELCHAIR LOGO IN BLUE ON THE CM-45	
	CM-XX/2AL	WHEELCHAIR LOGO WITH ARROW POINTING LEFT IN BLUE ON THE CM-45 & CM-46 SERIES	
	CM-XX/2AR	WHEELCHAIR LOGO WITH ARROW POINTING RIGHT IN BLUE CM-45 & CM-46 SERIES	
	CM-XX/3	"PUSH TO OPEN" GRAPHICS IN BLACK ON THE CM-45 & CM-46 SERIES	
	CM-XX/3F	"POUSSEZ POUR OUVRIR" GRAPHICS IN BLACK ON THE CM-45 & CM-46 SERIES	
	CM-XX/4	WHEELCHAIR LOGO WITH "PUSH TO OPEN" LOGO IN BLUE ON THE CM-45 & CM-46 SERIES IN WHITE ON THE CM-46CB SERIES	
	CM-XX/A4	ACTIVE WHEELCHAIR LOGO IN BLUE ON THE CM-45 ONLY	
	CM-XX/4F	WHEELCHAIR LOGO WITH "POUSSEZ POUR OUVRIR" LOGO IN BLACK ON THE CM-45 & CM-46 SERIES	
	CM-XX/4AL	WHEELCHAIR LOGO WITH " PUSH TO OPEN AND ARROW POINTING TO THE LEFT" LOGO ON THE CM-45 & CM-46 SERIES	
	CM-XX/4AR	WHEELCHAIR LOGO WITH " PUSH TO OPEN AND ARROW POINTING TO THE RIGHT" LOGO IN BLUE ON CM-45 & CM-46 SERIES	
	CM-XX/8	"PUSH TO LOCK" LOGO IN BLACK ON CM-45 & CM-46 SERIES	
	CM-XX/8B	LOCK SYMBOL IN RED WITH " PUSH TO LOCK" LOGO IN RED ON CM-45 & CM-46 SERIES	
	CM-XX/8D	"PUSH TO LOCK" GRAPHICS IN BLACK ON CM-45 & CM-46 SERIES	
CM-XX/8F	"POUSSEZ POUR VERROUILLER" GRAPHICS IN BLACK, ON CM-45 & CM-46 SERIES		

## CM-45 & CM-46 SERIES SERIES PUSH PLATE

### INSTALLATION INSTRUCTIONS

COMPATIBLE MOUNTING BOXES OPTION		
ITEM NUMBER	PART NUMBER	DESCRIPTION
3.	CM-43CBL	BLACK POLYMER (ABS) SURFACE BOX, STANDARD DEPTH, PROVISION FOR WIRELESS, DOUBLE WALL
	CM-43LP	BLACK POLYMER (ABS) SURFACE BOX, SHALLOW DEPTH, FLAME/IMPACT RESISTANT, 5" X 5" X 1-3/8".
	CM-48AL	ANODIZED ALUMINUM SURFACE BOX, SHALLOW DEPTH
	CM-44	SURFACE BOX, SHALLOW DEPTH, OFFSET MOUNT (ON JAMB). STAINLESS STEEL 4-1/2" W X 4-1/2"H X 5/8" D.
	CM-540B	SURFACE BOX, SHALLOW DEPTH. FLAME AND IMPACT RESISTANT BLACK POLYMER (ABS) 4-13/16" X 4-13/16" X 5/8"
	CM-67	SLEEVE COVER FOR STANDARD DOUBLE GANG SURFACE BOX. HEAVY GAUGE STAINLESS STEEL
	CM-440	5" DRESS PLATE COVER FOR DOUBLE GANG OR 4" SQUARE FLUSH BOX. HEAVY GAUGE STAINLESS STEEL
	CM-660	6-1/2" DRESS PLATE, COVER FOR DOUBLE GANG OR 4" SQUARE FLUSH BOX, HEAVY GAUGE STAINLESS STEEL
	CM-49C	ADAPTER PLATE FOR MOUNTING ON DOUBLE GANG OR 4" SQUARE BOX 4" X 1/16"
	CM-55CBL	BLACK POLYMER, ABS FLUSH BOX WITH STANDARD DEPTH, FLAME/IMPACT 6-1/2"W X 6-1/2"H X 2"