

# CX-CL-LZBRK

## L & Z Brackets for Cabinet Lock

### INSTALLATION INSTRUCTIONS

#### THIS PACKAGE INCLUDES:

- |                         |               |                     |
|-------------------------|---------------|---------------------|
| 2 - M4 x 12mm Screws    | 1 - L Bracket | 1 - User Manual     |
| 4 - ST3.5 x 19mm Screws | 1 - Z Bracket | 4 - M3 x 8mm Screws |

#### 1. GENERAL DESCRIPTION

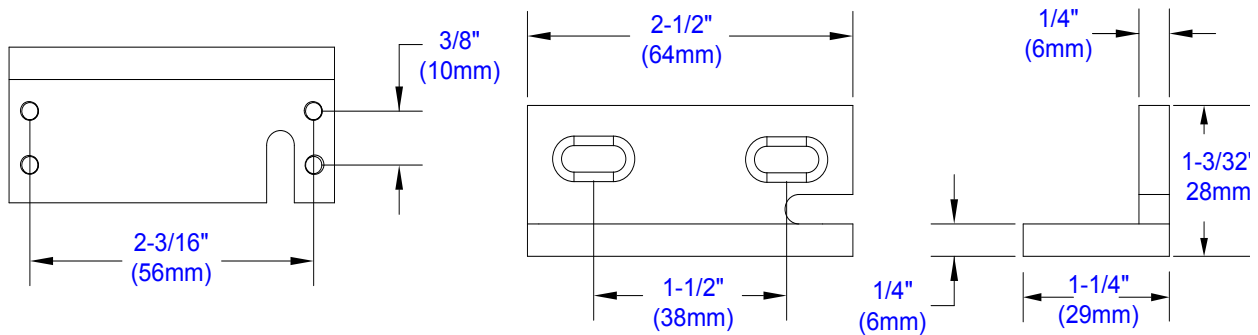
These professional-grade L&Z brackets provide an ideal solution for mounting CX-EPD0009 cabinet locks on in-swinging, single doors. The L bracket is designed for attaching the magnet to the door frame's face when header space is unavailable. The Z bracket allows for horizontal adjustment of the plate pin.

#### 2. SPECIFICATIONS

Dimensions (L Bracket)	2 1/2" x 1 3/32" x 1 1/4" 64mm x 28mm x 29mm
Dimensions (Z Bracket)	2 1/2" x 1 5/8" x 3" 64mm x 41mm x 76mm

#### 3. DIMENSIONS

##### L Bracket



##### Z Bracket

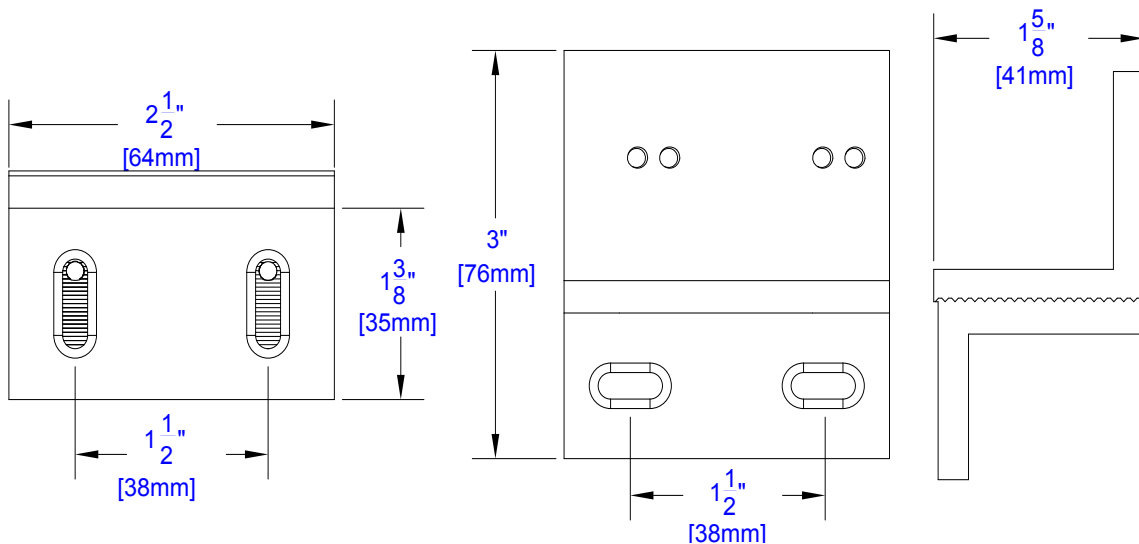


Figure 3.1 L&Z Brackets Dimensions

## 4. INSTALLATION (NORMAL DOOR)

### 1. L Bracket:

- Align the L bracket near the upper corner of the door, ensuring a minimum gap of 3/8" (10mm) to allow the door to close properly.
- Mark the bracket's mounting location. Drill holes using a pilot drill bit. Attach the bracket to the frame with the provided ST3.5 x 19mm screws.
- Secure the locking body using m3 x 25mm socket head cap screws.

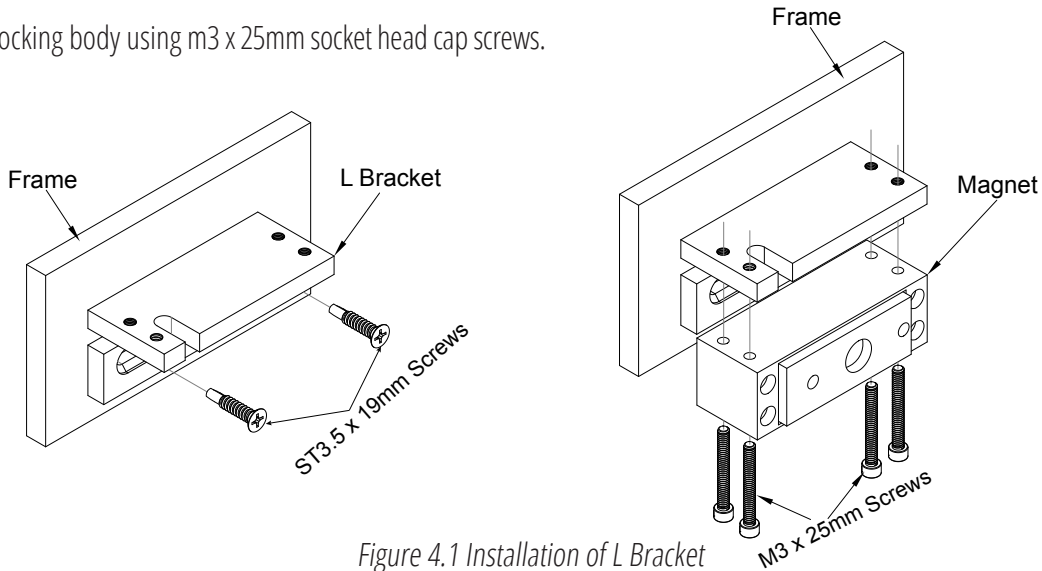


Figure 4.1 Installation of L Bracket

### 2. Z Bracket:

- Put together the Z bracket using the provided M4 x 12mm screws. Ensure the bracket can adjust freely before final tightening.
- Fix the plate pin to the Z bracket with an M3 x 8mm screw (refer to the provided figure for guidance).
- Firmly attach the Z bracket to the door using ST3.5 x 19mm screws.

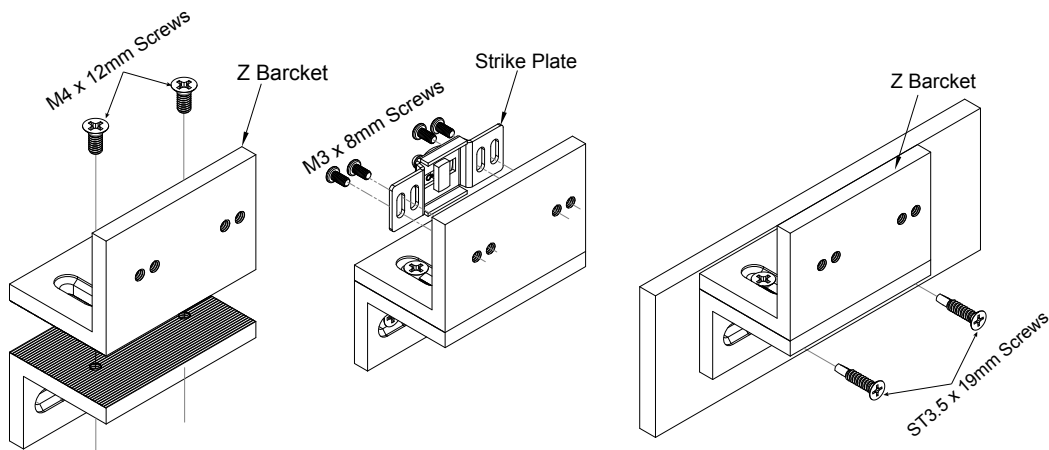


Figure 4.2 Installation of Z Bracket

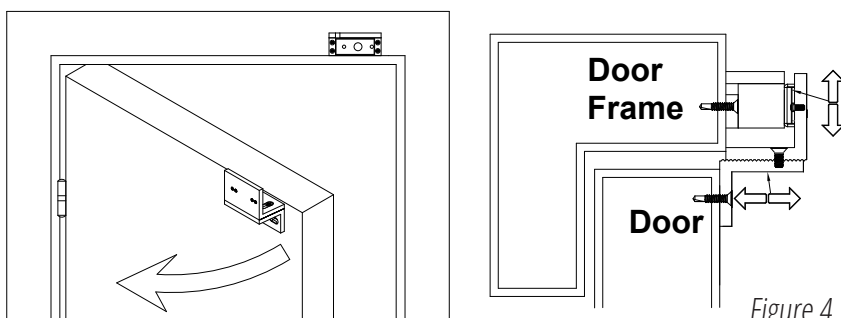


Figure 4.3 Schematic of L&Z Brackets Installed

## 5. INSTALLATION (SLIDING DOOR)

**Marking the Location:** Begin by determining the precise location where the L portion of the Z bracket will be attached to the sliding door. Use a marker to indicate where the holes for the ST3.5 x 19 mm screws will be drilled.

**Drilling Pilot Holes:** Before attaching the bracket, drill pilot holes at the marked locations to ensure a secure fit for the ST3.5 x 19 mm screws. This will prevent the wood from splitting and ensure the screws are easier to install.

**Attaching the Z Bracket:** With the pilot holes drilled, attach the L portion of the Z bracket to the sliding door using the two provided ST3.5 x 19 mm screws. Do not fully tighten the screws yet; leave some slack for adjustments later. The design of the Z bracket allows for horizontal movement to ensure proper alignment.

**Securing the Strike Plate:** Attach the strike plate to the Z bracket using four M3 x 8 mm screws. Once in place, fully tighten the ST3.5 x 19 mm screws to secure the Z bracket firmly to the door.

### Installing the L Bracket on the Opposite Surface:

On the surface parallel to the Z bracket, attach the L bracket with the two provided ST3.5 x 19 mm screws. Again, remember not to fully tighten the screws at this stage to allow for vertical adjustments. The L bracket's design permits vertical movement for better alignment.

**Aligning and Securing the Cabinet Lock:** Position the cabinet lock to ensure the plate pin aligns and inserts correctly into the lock. If the alignment is satisfactory, tighten the ST3.5 x 19 mm screws to secure the L bracket in place.

**Finalizing the Installation:** Attach the cabinet lock to the L bracket using four M3 x 25 mm screws. After installation, thoroughly check the functionality of the lock to ensure it operates smoothly and securely."

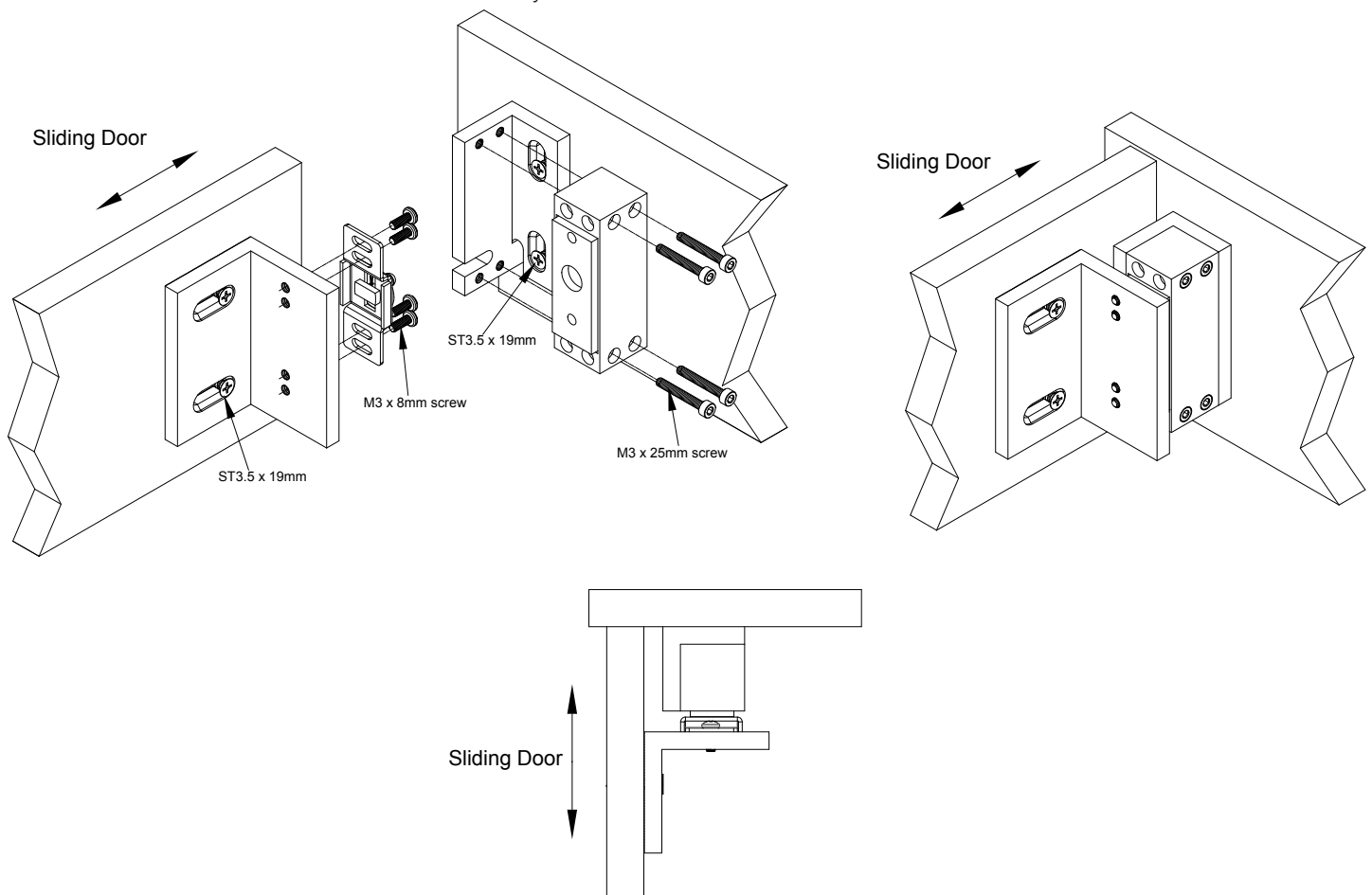


Figure 5.1 Installation of Cabinet Lock on Sliding Door Using L & Z Brackets